

PHILIPS
LEDALITE

Recessed

SilkSpace



Elevate your spirit & enhance your space

Philips Ledalite SilkSpace
LED recessed delivers discreet,
comfortable lighting with great
performance and an ultra-low
glare rating.*





**Refreshing
illumination**
for work,
study or
rejuvenation

Why it's easy to choose SilkSpace

- Optical design and soft, clean aesthetic result in ultra low-glare.¹
- Contributes to Well Building Standard® certification.²
- High spacing to mounting ratio with excellent workplane uniformity.
- Integrated sensors for room-based or networked control come as standard options.
- Flexible choices with three different sizes — 1'x4', 2'x2' and 2'x4' — multiple lumen packages and three different standard color temperatures 3000, 3500 and 4000K.

¹ UGR values as low as 16 with a max of <19 for all sizes and lumen packages calculated according to CIE Publ. 117 with spacing to mounting height = 0.25H and reflectance values of 70/50/20 (ceiling/wall/floor) and reference room 4Hx8H.

² Achieves Well Building Standard® precondition for Electrical light glare control. Reference: Well Building Standard® v1 May 2016 addenda. The Well Building Institute™.

Designing for the people within a space has never been more important. SilkSpace luminaires deliver soft and ethereal yet brilliant environments.

Now you can create spaces that will allow the people within them to focus, learn and recharge without harsh hot spots or glaring reflections.

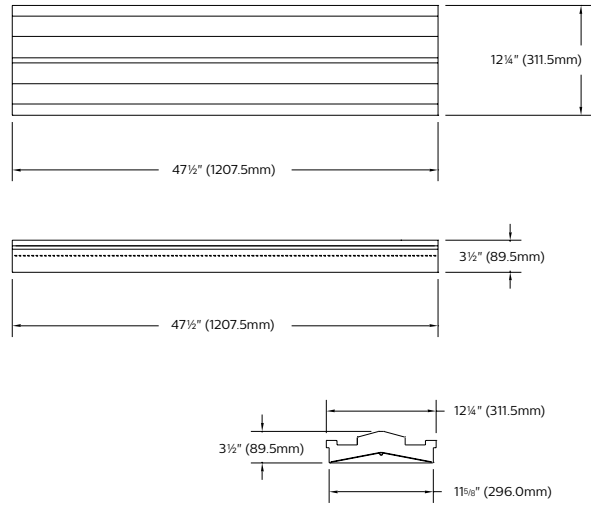
With a sleek, fully luminous and minimalist aesthetic, SilkSpace discreetly integrates into the ceiling. Innovative LED light guide technology combines with award-winning MesoOptics to deliver a visually comfortable, ultra low-glare luminaire.

When light really matters, trust in SilkSpace.

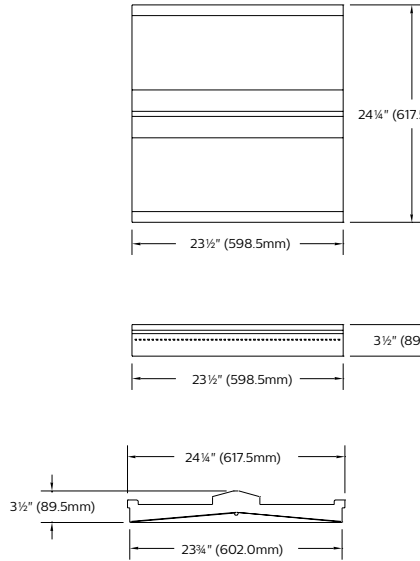


SilkSpace LED recessed luminaires

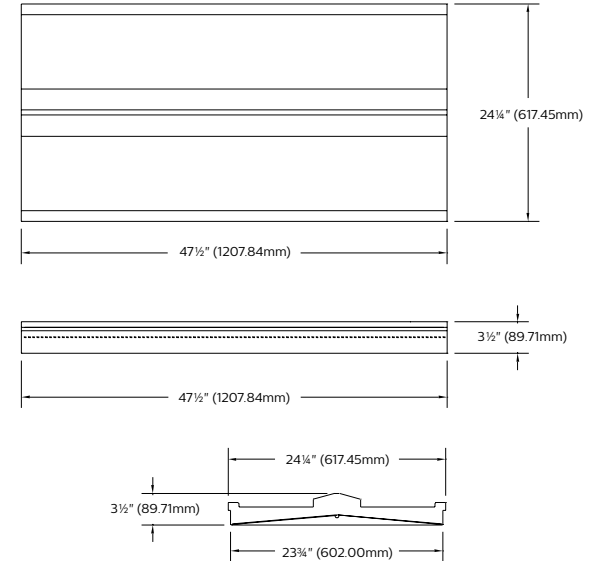
1'x4'



2'x2'



2'x4'



Product Version				Light Source				Housing	Electrical		
Family	Size	Mounting	Configuration	Source	CRI	Color Temp	Lumen Package*	Housing Type	Wiring	Voltage	Driver†
42 SilkSpace	14 1'x4'	D1 Standard T-Grid	ST Standalone	L LED	8 CRI >80	A 4000K B 3500K C 3000K	D 4000 lm E 3000 lm K 1700 lm	S Standard C Chicago	7 1 cct w/Dimming (0-10V) N 1cct Dimming with Battery Pack	1 120V 2 277V 3 347V	E Philips Advance (1-100%)
	22 2'x2'						A 6800 lm C 5000 lm D 4000 lm				
	24 2'x4'										

© 2016 Philips Lighting Holding B.V. All rights reserved. Philips reserves the right to make changes in specifications and/or to discontinue any product at any time without notice or obligation and will not be liable for any consequences resulting from the use of this publication.

PLe-1603BN 06/16 philips.com/luminaires



Philips Lighting, North America Corporation
200 Franklin Square Drive, Somerset, NJ 08873 • Tel. 855-486-2216

Philips Lighting Canada Ltd.
281 Hillmount Rd, Markham, ON, Canada L6C 2S3 • Tel. 800-668-9008