

PHILIPS
Day-Brite
CFI

Recessed

FluxGrid LED 2x2

3000, 3800, or 4500 lumens



Project: _____
 Location: _____
 Cat.No: _____
 Type: _____
 Lumens: _____ Qty: _____
 Notes: _____

The Philips Day-Brite / Philips CFI Recessed FluxGrid LED offers architectural appeal with “must have” features. Two different lens styles, discrete air handling, integral emergency, and access to the boards and driver from below make FluxGrid an ideal solution for a wide range of applications.

Ordering guide

Example: 2FGG38B840-2-D-UNV-DIM

Width	Family	Ceiling Type	Air Function	Lumens	Color	Length	Center Diffuser	Voltage	Driver	Options
2	FG	G				2				
2 2'	FG FluxGrid	G Grid	Blank ¹ Static H Air return	<i>Standard Configurations</i> 30L 3000 nominal delivered lumens 38L 3800 nominal delivered lumens 45L 4500 nominal delivered lumens <i>Base Configurations</i> 38B¹ 3800 nominal delivered lumens	830 80 CRI, 3000K 835¹ 80 CRI, 3500K 840¹ 80 CRI, 4000K 850 80 CRI, 5000K	2 2'	D¹ Diffuse (ribbed) DS¹ Diffuse (smooth)	UNV¹ Universal voltage 120-277V 120² 120V 277² 277V 347 347V	DIM¹ 0-10V dimming SDIM Step dimming to 40% input power XDIM² MarkX phase dimming L3D³ Lutron Hi-lume A 1% dimming LDE Lutron LDE5 5% dimming DALI DALI	F1¹ 3/8" flex, 3 wire 18 gauge 6' F2¹ 3/8" flex, 4 wire 18 gauge 6' F1/D¹ 3/8" twin flex, 3 wire 18 gauge 6' for dimmable luminaires F2/SW¹ 3/8" single flex, 5 wire 18 gauge 6' for dimmable luminaires F2/6W¹ 3/8" single flex, 6 wire 18 gauge 6' for dimmable and EMLED luminaires GLR¹ Fusing, fast blow EMLED^{1,5} Integral emergency battery pack DAYOCC⁴ Integral sensor, daylighting and occupancy, Philips EasySense SNS102 CHIC¹ Chicago Plenum rated

Footnotes:

1. Base configurations available with noted options.
2. XDIM requires 120V or 277V specification.
3. Specify 38L or 45L lumen packages only.
4. Specify DIM driver option only with DAYOCC controls option. Dimming via wall switch.
5. Philips Bodine BSL310, 1100lm nominal delivered.

Accessories (order separately)

- **FMA22** – 2'x2' "F" mounting frame for NEMA "F" mounting
- **FGD2L** – FG 2' ribbed replacement lens
- **FGDS2L** – FG 2' smooth replacement lens

Energy data

Luminaire	Catalog Number	Input Power	Efficacy
2x2 Standard	2FGG30L840	27.1	112
	2FGG38L840	33.4	110
	2FGG45L840	44.6	106
2x2 Base	2FGG42B840	33.6	114



2FG Recessed FluxGrid LED 2x2

3000, 3800, or 4500 lumens

Application

- 3" deep low profile configuration provides minimal penetration into the plenum space
- Acrylic diffuser available in ribbed and smooth configurations provides even illumination with comfortable appeal
- Standard and base configurations available in multiple lumen packages to suit the needs of various applications
- Lambertian distribution creates uniform horizontal and vertical illuminance on the work plane and reduces scalloping on the walls
- CRI 80 minimum color rendering with balanced spectrum
- LEDs coupled with standard dimming provide prolonged lumen maintenance. Optional integral sensors contribute further to LED lumen maintenance
- Designed for use with standard Grid (NEMA "G") or Narrow Grid (NEMA "NFG" ceiling T-bars. Drywall or plaster applications require use with the FMA24 "F" mounting frame accessory (sold and shipped separately)
- Continuous row mounting is possible with a 1" gap between fixtures accommodated by others

Enclosure

- Opal acrylic diffuser provides visually comfortable lumenance without compromise to luminaire efficacy.
- Diffuser requires no frames or fasteners and can be easily removed from below without the use of tools

Construction/Finish

- Uncomplicated design is 3" deep with minimal material overlap creating several benefits:
 - Less material required
 - Less packaging required
 - Reduced weight for ease of handling and transit
 - Less energy required for construction and assembly
 - More luminaires can be shipped per truck to reduce fuel consumption
- Metal side covers are die formed with a conical shape to enhance light distribution and visual aesthetic
- Injection molded lens retainers allow for easy, tool-free access to the LED boards and driver from below, and provide positive lens retention
- Luminaire finish is matte white polyester powder coat for high quality, durable finish
- T-bar grid clips are integral to the body
- Air return option provides air flow through a unique lens retainer design. Air passes through architectural forms in the lens retainers (each end), and through the end plate of the luminaire. A cover plate is provided to control air flow through the luminaire, or make it static as required
- Integral controls options include sensor mounted in one lens retainer. Controls are commissioned via intuitive Philips app on a Droid smartphone either through NFC or an IR blaster
- EMLED option requires the emergency battery pack be installed with a top side cover. Access from above

General notes

- All options are factory installed
- All accessories are field installed
- Many luminaire components, such as reflectors, refractors, lenses, sockets, lampholders, and LEDs are made from various types of plastics which can be adversely affected by airborne contaminants. If sulfur based chemicals, petroleum based products, cleaning solutions, or other contaminants are expected in the intended area of use, consult factory for compatibility

Electrical

- Integral sensor options for occupancy sensing and/or daylight harvesting are available for additional energy savings with no reduction of life or increase in installation labor
- Standard configurations provide up to 120 lumens per watt and are available with 5 lumen packages and 3000, 3500, 4000, and 5000K color temperatures
- Base configurations provide up to 124 lumens per watt and are available in 4200 lumen flux and 3500K and 4000K color temperatures
- LED boards are accessible from below by removal of the lens. Lens removal is tool-free by compressing the sides and pushing to one end
- LED driver is accessible from below by removal of the lens and integral wireway cover. The wireway cover is easily removed with a flat head screwdriver
- Other driver options including step dimming (SDIM, 100%/40%), DALI, phase dimming (XDIM), and Lutron are available
- Five year limited luminaire warranty includes LED boards and driver (emergency driver and batteries have a three year warranty in models so equipped). Visit www.philips.com/warranties for complete warranty information
- TM-21 predicted L70 lumen maintenance up to 85,000 hours
- cETLus listed to UL and CSA standards, suitable for damp locations
- FluxGrid luminaires are DesignLights Consortium qualified. Please see the DLC QPL list for exact catalog numbers (<http://www.designlights.org/QPL>)

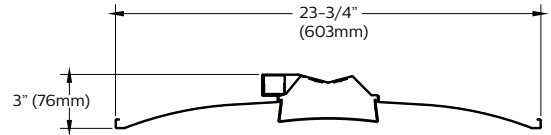
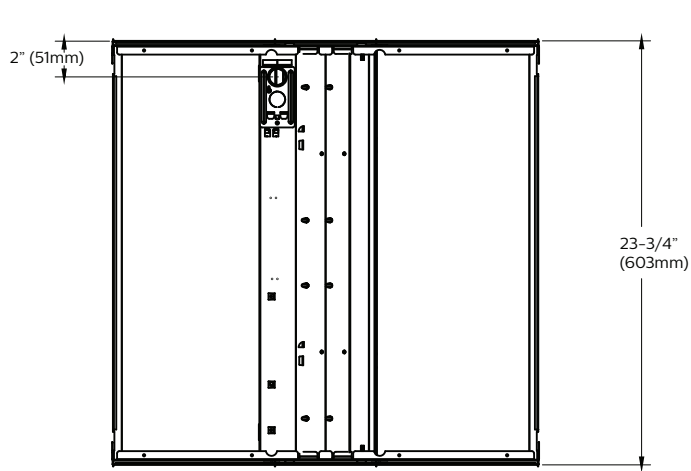
DAYOCC

- Integrated fixture mount Philips EasySense sensor featuring daylight and PIR occupancy sensing
- Compatibility with Philips Advance Xitanium SR Sensor Ready LED drivers
- Features automatic or manual on/off scenarios for code compliance and to realize full energy savings potential
- Basic grouping to a wireless switch via an IR interface with the Philips Field App
- Self-powered single rocker switch Illumra #ZBT-S1AWH (sourced by others), up to 40 luminaires may be grouped to a single switch
- Register for the commissioning app at <http://registration.componentcloud.philips.com/appregistration/>
- For more information visit www.philips.com/EasySense

2FG Recessed FluxGrid LED 2x2

3000, 3800, or 4500 lumens

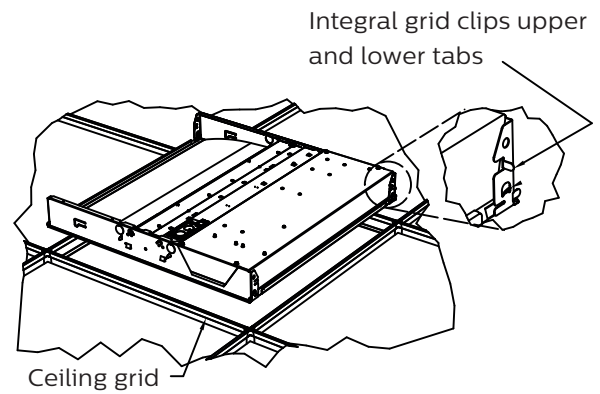
Dimensions



Controls sensor integrated into one lens retainer.



The air return option allows air to flow through vents in the lens retainers on each end. Air blades are provided on each end of the luminaire to control air flow to the plenum.



2FG Recessed FluxGrid LED 2x2

3000, 3800, or 4500 lumens

Photometry

2x2 FluxGrid recessed LED, base configuration, 3800 nominal delivered lumens

LER - 114

<p>Catalog No. 2FGG38B840-2-D-UNV-DIM Test No. 36779 S/MH 1.2 Lamp Type LED Lumens 3828 Input Watts 34</p> <p>Comparative yearly lighting energy cost per 1000 lumens – \$2.11 based on 3000 hrs. and \$.08 pwr KWH.</p> <p>The photometric results were obtained in the Philips Day-Brite laboratory which is NVLAP accredited by the National Institute of Standards and Technology.</p> <p>Photometric values based on test performed in compliance with LM-79.</p>	<p style="text-align: center;">Candlepower</p> <table border="1"> <thead> <tr> <th>Angle</th> <th>End</th> <th>45</th> <th>Cross</th> <th>Back-45</th> </tr> </thead> <tbody> <tr><td>0</td><td>1465</td><td>1465</td><td>1465</td><td>1465</td></tr> <tr><td>5</td><td>1444</td><td>1458</td><td>1460</td><td>1458</td></tr> <tr><td>15</td><td>1371</td><td>1377</td><td>1376</td><td>1377</td></tr> <tr><td>25</td><td>1227</td><td>1229</td><td>1240</td><td>1229</td></tr> <tr><td>35</td><td>1033</td><td>1052</td><td>1073</td><td>1052</td></tr> <tr><td>45</td><td>816</td><td>861</td><td>896</td><td>861</td></tr> <tr><td>55</td><td>599</td><td>666</td><td>718</td><td>666</td></tr> <tr><td>65</td><td>364</td><td>481</td><td>542</td><td>481</td></tr> <tr><td>75</td><td>181</td><td>277</td><td>332</td><td>277</td></tr> <tr><td>85</td><td>35</td><td>77</td><td>89</td><td>77</td></tr> </tbody> </table>	Angle	End	45	Cross	Back-45	0	1465	1465	1465	1465	5	1444	1458	1460	1458	15	1371	1377	1376	1377	25	1227	1229	1240	1229	35	1033	1052	1073	1052	45	816	861	896	861	55	599	666	718	666	65	364	481	542	481	75	181	277	332	277	85	35	77	89	77	<p>Light Distribution</p> <table border="1"> <thead> <tr> <th>Degrees</th> <th>Lumens</th> <th>% Luminaire</th> </tr> </thead> <tbody> <tr><td>0-30</td><td>1092</td><td>28.5</td></tr> <tr><td>0-40</td><td>1750</td><td>45.7</td></tr> <tr><td>0-60</td><td>3005</td><td>78.5</td></tr> <tr><td>0-90</td><td>3830</td><td>100</td></tr> <tr><td>0-180</td><td>3830</td><td>100</td></tr> </tbody> </table>	Degrees	Lumens	% Luminaire	0-30	1092	28.5	0-40	1750	45.7	0-60	3005	78.5	0-90	3830	100	0-180	3830	100	<p>Average Luminance</p> <table border="1"> <thead> <tr> <th>Zone</th> <th>End</th> <th>45°</th> <th>Cross</th> </tr> </thead> <tbody> <tr><td>45</td><td>14765</td><td>15577</td><td>16218</td></tr> <tr><td>55</td><td>13366</td><td>14854</td><td>16007</td></tr> <tr><td>65</td><td>11026</td><td>14550</td><td>16415</td></tr> <tr><td>75</td><td>8928</td><td>13683</td><td>16392</td></tr> <tr><td>85</td><td>5123</td><td>11304</td><td>13036</td></tr> </tbody> </table>	Zone	End	45°	Cross	45	14765	15577	16218	55	13366	14854	16007	65	11026	14550	16415	75	8928	13683	16392	85	5123	11304	13036																																																																																					
Angle	End	45	Cross	Back-45																																																																																																																																																																																					
0	1465	1465	1465	1465																																																																																																																																																																																					
5	1444	1458	1460	1458																																																																																																																																																																																					
15	1371	1377	1376	1377																																																																																																																																																																																					
25	1227	1229	1240	1229																																																																																																																																																																																					
35	1033	1052	1073	1052																																																																																																																																																																																					
45	816	861	896	861																																																																																																																																																																																					
55	599	666	718	666																																																																																																																																																																																					
65	364	481	542	481																																																																																																																																																																																					
75	181	277	332	277																																																																																																																																																																																					
85	35	77	89	77																																																																																																																																																																																					
Degrees	Lumens	% Luminaire																																																																																																																																																																																							
0-30	1092	28.5																																																																																																																																																																																							
0-40	1750	45.7																																																																																																																																																																																							
0-60	3005	78.5																																																																																																																																																																																							
0-90	3830	100																																																																																																																																																																																							
0-180	3830	100																																																																																																																																																																																							
Zone	End	45°	Cross																																																																																																																																																																																						
45	14765	15577	16218																																																																																																																																																																																						
55	13366	14854	16007																																																																																																																																																																																						
65	11026	14550	16415																																																																																																																																																																																						
75	8928	13683	16392																																																																																																																																																																																						
85	5123	11304	13036																																																																																																																																																																																						
		<p>Coefficients of Utilization</p> <p>EFFECTIVE FLOOR CAVITY REFLECTANCE 20 PER (pfc=0.20)</p> <table border="1"> <thead> <tr> <th>pfc =</th> <th colspan="3">20</th> <th colspan="3">80</th> <th colspan="3">70</th> <th colspan="3">50</th> </tr> <tr> <th>Ceil</th> <th colspan="3"></th> <th colspan="3"></th> <th colspan="3"></th> <th colspan="3"></th> </tr> <tr> <th>Wall</th> <th>70</th> <th>50</th> <th>30</th> <th>70</th> <th>50</th> <th>30</th> <th>50</th> <th>30</th> <th>70</th> <th>50</th> <th>30</th> </tr> <tr> <th>RCR</th> <th colspan="12"></th> </tr> </thead> <tbody> <tr><td>0</td><td>118</td><td>118</td><td>118</td><td>115</td><td>115</td><td>115</td><td>111</td><td>111</td><td>111</td><td>111</td><td>111</td></tr> <tr><td>1</td><td>109</td><td>104</td><td>98</td><td>106</td><td>101</td><td>97</td><td>96</td><td>93</td><td>96</td><td>96</td><td>93</td></tr> <tr><td>2</td><td>98</td><td>90</td><td>83</td><td>95</td><td>89</td><td>81</td><td>84</td><td>80</td><td>84</td><td>84</td><td>80</td></tr> <tr><td>3</td><td>90</td><td>79</td><td>70</td><td>88</td><td>78</td><td>69</td><td>75</td><td>68</td><td>75</td><td>75</td><td>68</td></tr> <tr><td>4</td><td>82</td><td>69</td><td>61</td><td>80</td><td>68</td><td>60</td><td>67</td><td>58</td><td>67</td><td>67</td><td>58</td></tr> <tr><td>5</td><td>76</td><td>63</td><td>54</td><td>73</td><td>61</td><td>53</td><td>59</td><td>52</td><td>59</td><td>59</td><td>52</td></tr> <tr><td>6</td><td>69</td><td>56</td><td>47</td><td>68</td><td>56</td><td>46</td><td>54</td><td>46</td><td>54</td><td>54</td><td>46</td></tr> <tr><td>7</td><td>65</td><td>52</td><td>42</td><td>63</td><td>51</td><td>42</td><td>48</td><td>41</td><td>48</td><td>48</td><td>41</td></tr> <tr><td>8</td><td>60</td><td>46</td><td>39</td><td>58</td><td>46</td><td>38</td><td>45</td><td>38</td><td>45</td><td>45</td><td>38</td></tr> <tr><td>9</td><td>56</td><td>42</td><td>34</td><td>55</td><td>42</td><td>34</td><td>41</td><td>34</td><td>41</td><td>41</td><td>34</td></tr> <tr><td>10</td><td>53</td><td>40</td><td>32</td><td>52</td><td>40</td><td>32</td><td>39</td><td>32</td><td>39</td><td>39</td><td>32</td></tr> </tbody> </table>	pfc =	20			80			70			50			Ceil													Wall	70	50	30	70	50	30	50	30	70	50	30	RCR													0	118	118	118	115	115	115	111	111	111	111	111	1	109	104	98	106	101	97	96	93	96	96	93	2	98	90	83	95	89	81	84	80	84	84	80	3	90	79	70	88	78	69	75	68	75	75	68	4	82	69	61	80	68	60	67	58	67	67	58	5	76	63	54	73	61	53	59	52	59	59	52	6	69	56	47	68	56	46	54	46	54	54	46	7	65	52	42	63	51	42	48	41	48	48	41	8	60	46	39	58	46	38	45	38	45	45	38	9	56	42	34	55	42	34	41	34	41	41	34	10	53	40	32	52	40	32	39	32	39	39	32
pfc =	20			80			70			50																																																																																																																																																																															
Ceil																																																																																																																																																																																									
Wall	70	50	30	70	50	30	50	30	70	50	30																																																																																																																																																																														
RCR																																																																																																																																																																																									
0	118	118	118	115	115	115	111	111	111	111	111																																																																																																																																																																														
1	109	104	98	106	101	97	96	93	96	96	93																																																																																																																																																																														
2	98	90	83	95	89	81	84	80	84	84	80																																																																																																																																																																														
3	90	79	70	88	78	69	75	68	75	75	68																																																																																																																																																																														
4	82	69	61	80	68	60	67	58	67	67	58																																																																																																																																																																														
5	76	63	54	73	61	53	59	52	59	59	52																																																																																																																																																																														
6	69	56	47	68	56	46	54	46	54	54	46																																																																																																																																																																														
7	65	52	42	63	51	42	48	41	48	48	41																																																																																																																																																																														
8	60	46	39	58	46	38	45	38	45	45	38																																																																																																																																																																														
9	56	42	34	55	42	34	41	34	41	41	34																																																																																																																																																																														
10	53	40	32	52	40	32	39	32	39	39	32																																																																																																																																																																														

2x2 FluxGrid recessed LED, standard configuration, 3000 nominal delivered lumens

LER - 112

<p>Catalog No. 2FGG30L840-2-D-UNV-DIM Test No. 36780 S/MH 1.2 Lamp Type LED Lumens 3023 Input Watts 27</p> <p>Comparative yearly lighting energy cost per 1000 lumens – \$2.14 based on 3000 hrs. and \$.08 pwr KWH.</p> <p>The photometric results were obtained in the Philips Day-Brite laboratory which is NVLAP accredited by the National Institute of Standards and Technology.</p> <p>Photometric values based on test performed in compliance with LM-79.</p>	<p style="text-align: center;">Candlepower</p> <table border="1"> <thead> <tr> <th>Angle</th> <th>End</th> <th>45</th> <th>Cross</th> <th>Back-45</th> </tr> </thead> <tbody> <tr><td>0</td><td>1171</td><td>1171</td><td>1171</td><td>1171</td></tr> <tr><td>5</td><td>1154</td><td>1165</td><td>1166</td><td>1165</td></tr> <tr><td>15</td><td>1095</td><td>1099</td><td>1100</td><td>1099</td></tr> <tr><td>25</td><td>980</td><td>982</td><td>990</td><td>982</td></tr> <tr><td>35</td><td>825</td><td>840</td><td>858</td><td>840</td></tr> <tr><td>45</td><td>652</td><td>688</td><td>717</td><td>688</td></tr> <tr><td>55</td><td>447</td><td>497</td><td>555</td><td>497</td></tr> <tr><td>65</td><td>292</td><td>359</td><td>405</td><td>359</td></tr> <tr><td>75</td><td>144</td><td>222</td><td>266</td><td>222</td></tr> <tr><td>85</td><td>28</td><td>62</td><td>72</td><td>62</td></tr> </tbody> </table>	Angle	End	45	Cross	Back-45	0	1171	1171	1171	1171	5	1154	1165	1166	1165	15	1095	1099	1100	1099	25	980	982	990	982	35	825	840	858	840	45	652	688	717	688	55	447	497	555	497	65	292	359	405	359	75	144	222	266	222	85	28	62	72	62	<p>Light Distribution</p> <table border="1"> <thead> <tr> <th>Degrees</th> <th>Lumens</th> <th>% Luminaire</th> </tr> </thead> <tbody> <tr><td>0-30</td><td>873</td><td>28.9</td></tr> <tr><td>0-40</td><td>1398</td><td>46.2</td></tr> <tr><td>0-60</td><td>2381</td><td>78.7</td></tr> <tr><td>0-90</td><td>3024</td><td>100</td></tr> <tr><td>0-180</td><td>3024</td><td>100</td></tr> </tbody> </table>	Degrees	Lumens	% Luminaire	0-30	873	28.9	0-40	1398	46.2	0-60	2381	78.7	0-90	3024	100	0-180	3024	100	<p>Average Luminance</p> <table border="1"> <thead> <tr> <th>Zone</th> <th>End</th> <th>45°</th> <th>Cross</th> </tr> </thead> <tbody> <tr><td>45</td><td>11803</td><td>12452</td><td>12964</td></tr> <tr><td>55</td><td>9978</td><td>11082</td><td>12387</td></tr> <tr><td>65</td><td>8831</td><td>10868</td><td>12264</td></tr> <tr><td>75</td><td>7133</td><td>10950</td><td>13125</td></tr> <tr><td>85</td><td>4081</td><td>9131</td><td>10540</td></tr> </tbody> </table>	Zone	End	45°	Cross	45	11803	12452	12964	55	9978	11082	12387	65	8831	10868	12264	75	7133	10950	13125	85	4081	9131	10540																																																																																					
Angle	End	45	Cross	Back-45																																																																																																																																																																																					
0	1171	1171	1171	1171																																																																																																																																																																																					
5	1154	1165	1166	1165																																																																																																																																																																																					
15	1095	1099	1100	1099																																																																																																																																																																																					
25	980	982	990	982																																																																																																																																																																																					
35	825	840	858	840																																																																																																																																																																																					
45	652	688	717	688																																																																																																																																																																																					
55	447	497	555	497																																																																																																																																																																																					
65	292	359	405	359																																																																																																																																																																																					
75	144	222	266	222																																																																																																																																																																																					
85	28	62	72	62																																																																																																																																																																																					
Degrees	Lumens	% Luminaire																																																																																																																																																																																							
0-30	873	28.9																																																																																																																																																																																							
0-40	1398	46.2																																																																																																																																																																																							
0-60	2381	78.7																																																																																																																																																																																							
0-90	3024	100																																																																																																																																																																																							
0-180	3024	100																																																																																																																																																																																							
Zone	End	45°	Cross																																																																																																																																																																																						
45	11803	12452	12964																																																																																																																																																																																						
55	9978	11082	12387																																																																																																																																																																																						
65	8831	10868	12264																																																																																																																																																																																						
75	7133	10950	13125																																																																																																																																																																																						
85	4081	9131	10540																																																																																																																																																																																						
		<p>Coefficients of Utilization</p> <p>EFFECTIVE FLOOR CAVITY REFLECTANCE 20 PER (pfc=0.20)</p> <table border="1"> <thead> <tr> <th>pfc =</th> <th colspan="3">20</th> <th colspan="3">80</th> <th colspan="3">70</th> <th colspan="3">50</th> </tr> <tr> <th>Ceil</th> <th colspan="3"></th> <th colspan="3"></th> <th colspan="3"></th> <th colspan="3"></th> </tr> <tr> <th>Wall</th> <th>70</th> <th>50</th> <th>30</th> <th>70</th> <th>50</th> <th>30</th> <th>50</th> <th>30</th> <th>70</th> <th>50</th> <th>30</th> </tr> <tr> <th>RCR</th> <th colspan="12"></th> </tr> </thead> <tbody> <tr><td>0</td><td>118</td><td>118</td><td>118</td><td>115</td><td>115</td><td>115</td><td>111</td><td>111</td><td>111</td><td>111</td><td>111</td></tr> <tr><td>1</td><td>109</td><td>104</td><td>98</td><td>106</td><td>102</td><td>97</td><td>96</td><td>93</td><td>96</td><td>96</td><td>93</td></tr> <tr><td>2</td><td>98</td><td>91</td><td>83</td><td>95</td><td>89</td><td>81</td><td>84</td><td>80</td><td>84</td><td>84</td><td>80</td></tr> <tr><td>3</td><td>90</td><td>80</td><td>70</td><td>88</td><td>78</td><td>69</td><td>75</td><td>68</td><td>75</td><td>75</td><td>68</td></tr> <tr><td>4</td><td>82</td><td>70</td><td>61</td><td>80</td><td>68</td><td>60</td><td>67</td><td>59</td><td>67</td><td>67</td><td>59</td></tr> <tr><td>5</td><td>76</td><td>63</td><td>54</td><td>73</td><td>61</td><td>54</td><td>59</td><td>53</td><td>59</td><td>59</td><td>53</td></tr> <tr><td>6</td><td>69</td><td>56</td><td>47</td><td>68</td><td>56</td><td>47</td><td>54</td><td>46</td><td>54</td><td>54</td><td>46</td></tr> <tr><td>7</td><td>65</td><td>52</td><td>42</td><td>64</td><td>51</td><td>42</td><td>50</td><td>41</td><td>48</td><td>48</td><td>41</td></tr> <tr><td>8</td><td>60</td><td>46</td><td>39</td><td>58</td><td>46</td><td>39</td><td>45</td><td>38</td><td>45</td><td>45</td><td>38</td></tr> <tr><td>9</td><td>56</td><td>44</td><td>34</td><td>56</td><td>42</td><td>34</td><td>41</td><td>34</td><td>41</td><td>41</td><td>34</td></tr> <tr><td>10</td><td>53</td><td>40</td><td>32</td><td>52</td><td>40</td><td>32</td><td>39</td><td>32</td><td>39</td><td>39</td><td>32</td></tr> </tbody> </table>	pfc =	20			80			70			50			Ceil													Wall	70	50	30	70	50	30	50	30	70	50	30	RCR													0	118	118	118	115	115	115	111	111	111	111	111	1	109	104	98	106	102	97	96	93	96	96	93	2	98	91	83	95	89	81	84	80	84	84	80	3	90	80	70	88	78	69	75	68	75	75	68	4	82	70	61	80	68	60	67	59	67	67	59	5	76	63	54	73	61	54	59	53	59	59	53	6	69	56	47	68	56	47	54	46	54	54	46	7	65	52	42	64	51	42	50	41	48	48	41	8	60	46	39	58	46	39	45	38	45	45	38	9	56	44	34	56	42	34	41	34	41	41	34	10	53	40	32	52	40	32	39	32	39	39	32
pfc =	20			80			70			50																																																																																																																																																																															
Ceil																																																																																																																																																																																									
Wall	70	50	30	70	50	30	50	30	70	50	30																																																																																																																																																																														
RCR																																																																																																																																																																																									
0	118	118	118	115	115	115	111	111	111	111	111																																																																																																																																																																														
1	109	104	98	106	102	97	96	93	96	96	93																																																																																																																																																																														
2	98	91	83	95	89	81	84	80	84	84	80																																																																																																																																																																														
3	90	80	70	88	78	69	75	68	75	75	68																																																																																																																																																																														
4	82	70	61	80	68	60	67	59	67	67	59																																																																																																																																																																														
5	76	63	54	73	61	54	59	53	59	59	53																																																																																																																																																																														
6	69	56	47	68	56	47	54	46	54	54	46																																																																																																																																																																														
7	65	52	42	64	51	42	50	41	48	48	41																																																																																																																																																																														
8	60	46	39	58	46	39	45	38	45	45	38																																																																																																																																																																														
9	56	44	34	56	42	34	41	34	41	41	34																																																																																																																																																																														
10	53	40	32	52	40	32	39	32	39	39	32																																																																																																																																																																														

2FG Recessed FluxGrid LED 2x2

3000, 3800, or 4500 lumens

Photometry

2x2 FluxGrid recessed LED, standard configuration, 3800 nominal delivered lumens

LER - 110

<p>Catalog No. 2FGG38L840-2-D-UNV-DIM</p> <p>Test No. 36781</p> <p>S/MH 1.2</p> <p>Lamp Type LED</p> <p>Lumens 3682</p> <p>Input Watts 33</p> <p>Comparative yearly lighting energy cost per 1000 lumens – \$2.18 based on 3000 hrs. and \$.08 pwr KWH.</p> <p>The photometric results were obtained in the Philips Day-Brite laboratory which is NVLAP accredited by the National Institute of Standards and Technology.</p> <p>Photometric values based on test performed in compliance with LM-79.</p>	<p>Candlepower</p> <table border="1"> <thead> <tr> <th>Angle</th> <th>End</th> <th>45</th> <th>Cross</th> <th>Back-45</th> </tr> </thead> <tbody> <tr><td>0</td><td>1419</td><td>1419</td><td>1419</td><td>1419</td></tr> <tr><td>5</td><td>1398</td><td>1411</td><td>1414</td><td>1411</td></tr> <tr><td>15</td><td>1326</td><td>1333</td><td>1333</td><td>1333</td></tr> <tr><td>25</td><td>1187</td><td>1191</td><td>1200</td><td>1191</td></tr> <tr><td>35</td><td>998</td><td>1019</td><td>1039</td><td>1019</td></tr> <tr><td>45</td><td>790</td><td>834</td><td>868</td><td>834</td></tr> <tr><td>55</td><td>580</td><td>644</td><td>695</td><td>644</td></tr> <tr><td>65</td><td>353</td><td>434</td><td>491</td><td>434</td></tr> <tr><td>75</td><td>174</td><td>268</td><td>321</td><td>268</td></tr> <tr><td>85</td><td>33</td><td>76</td><td>85</td><td>76</td></tr> </tbody> </table>	Angle	End	45	Cross	Back-45	0	1419	1419	1419	1419	5	1398	1411	1414	1411	15	1326	1333	1333	1333	25	1187	1191	1200	1191	35	998	1019	1039	1019	45	790	834	868	834	55	580	644	695	644	65	353	434	491	434	75	174	268	321	268	85	33	76	85	76	<p>Light Distribution</p> <table border="1"> <thead> <tr> <th>Degrees</th> <th>Lumens</th> <th>% Luminaire</th> </tr> </thead> <tbody> <tr><td>0-30</td><td>1057</td><td>28.7</td></tr> <tr><td>0-40</td><td>1694</td><td>46</td></tr> <tr><td>0-60</td><td>2903</td><td>78.8</td></tr> <tr><td>0-90</td><td>3683</td><td>100</td></tr> <tr><td>0-180</td><td>3683</td><td>100</td></tr> </tbody> </table> <p>Average Luminance</p> <table border="1"> <thead> <tr> <th>Zone</th> <th>End</th> <th>45°</th> <th>Cross</th> </tr> </thead> <tbody> <tr><td>45</td><td>?</td><td>?</td><td>?</td></tr> <tr><td>55</td><td>?</td><td>?</td><td>?</td></tr> <tr><td>65</td><td>?</td><td>?</td><td>?</td></tr> <tr><td>75</td><td>?</td><td>?</td><td>?</td></tr> <tr><td>85</td><td>?</td><td>?</td><td>?</td></tr> </tbody> </table> <p>Coefficients of Utilization</p> <p>EFFECTIVE FLOOR CAVITY REFLECTANCE 20 PER (pfc=0.20)</p> <table border="1"> <thead> <tr> <th>pfc =</th> <th colspan="2">20</th> <th colspan="2">80</th> <th colspan="2">70</th> <th colspan="2">50</th> </tr> <tr> <th>Ceil</th> <th colspan="2"></th> <th colspan="2"></th> <th colspan="2"></th> <th colspan="2"></th> </tr> <tr> <th>Wall</th> <th>70</th> <th>50</th> <th>30</th> <th>70</th> <th>50</th> <th>30</th> <th>50</th> <th>30</th> </tr> <tr> <th>RCR</th> <th colspan="8"></th> </tr> </thead> <tbody> <tr><td>0</td><td>118</td><td>118</td><td>118</td><td>115</td><td>115</td><td>115</td><td>111</td><td>111</td></tr> <tr><td>1</td><td>109</td><td>104</td><td>98</td><td>106</td><td>102</td><td>97</td><td>96</td><td>93</td></tr> <tr><td>2</td><td>98</td><td>91</td><td>83</td><td>95</td><td>89</td><td>81</td><td>84</td><td>80</td></tr> <tr><td>3</td><td>90</td><td>80</td><td>70</td><td>88</td><td>78</td><td>69</td><td>75</td><td>68</td></tr> <tr><td>4</td><td>82</td><td>70</td><td>61</td><td>80</td><td>68</td><td>60</td><td>67</td><td>59</td></tr> <tr><td>5</td><td>76</td><td>63</td><td>54</td><td>73</td><td>61</td><td>54</td><td>59</td><td>53</td></tr> <tr><td>6</td><td>69</td><td>56</td><td>47</td><td>68</td><td>56</td><td>47</td><td>54</td><td>46</td></tr> <tr><td>7</td><td>65</td><td>52</td><td>42</td><td>64</td><td>51</td><td>42</td><td>48</td><td>41</td></tr> <tr><td>8</td><td>60</td><td>46</td><td>39</td><td>58</td><td>46</td><td>39</td><td>45</td><td>38</td></tr> <tr><td>9</td><td>56</td><td>44</td><td>34</td><td>55</td><td>42</td><td>34</td><td>41</td><td>34</td></tr> <tr><td>10</td><td>53</td><td>40</td><td>32</td><td>52</td><td>40</td><td>32</td><td>39</td><td>32</td></tr> </tbody> </table>	Degrees	Lumens	% Luminaire	0-30	1057	28.7	0-40	1694	46	0-60	2903	78.8	0-90	3683	100	0-180	3683	100	Zone	End	45°	Cross	45	?	?	?	55	?	?	?	65	?	?	?	75	?	?	?	85	?	?	?	pfc =	20		80		70		50		Ceil									Wall	70	50	30	70	50	30	50	30	RCR									0	118	118	118	115	115	115	111	111	1	109	104	98	106	102	97	96	93	2	98	91	83	95	89	81	84	80	3	90	80	70	88	78	69	75	68	4	82	70	61	80	68	60	67	59	5	76	63	54	73	61	54	59	53	6	69	56	47	68	56	47	54	46	7	65	52	42	64	51	42	48	41	8	60	46	39	58	46	39	45	38	9	56	44	34	55	42	34	41	34	10	53	40	32	52	40	32	39	32
Angle	End	45	Cross	Back-45																																																																																																																																																																																																																																						
0	1419	1419	1419	1419																																																																																																																																																																																																																																						
5	1398	1411	1414	1411																																																																																																																																																																																																																																						
15	1326	1333	1333	1333																																																																																																																																																																																																																																						
25	1187	1191	1200	1191																																																																																																																																																																																																																																						
35	998	1019	1039	1019																																																																																																																																																																																																																																						
45	790	834	868	834																																																																																																																																																																																																																																						
55	580	644	695	644																																																																																																																																																																																																																																						
65	353	434	491	434																																																																																																																																																																																																																																						
75	174	268	321	268																																																																																																																																																																																																																																						
85	33	76	85	76																																																																																																																																																																																																																																						
Degrees	Lumens	% Luminaire																																																																																																																																																																																																																																								
0-30	1057	28.7																																																																																																																																																																																																																																								
0-40	1694	46																																																																																																																																																																																																																																								
0-60	2903	78.8																																																																																																																																																																																																																																								
0-90	3683	100																																																																																																																																																																																																																																								
0-180	3683	100																																																																																																																																																																																																																																								
Zone	End	45°	Cross																																																																																																																																																																																																																																							
45	?	?	?																																																																																																																																																																																																																																							
55	?	?	?																																																																																																																																																																																																																																							
65	?	?	?																																																																																																																																																																																																																																							
75	?	?	?																																																																																																																																																																																																																																							
85	?	?	?																																																																																																																																																																																																																																							
pfc =	20		80		70		50																																																																																																																																																																																																																																			
Ceil																																																																																																																																																																																																																																										
Wall	70	50	30	70	50	30	50	30																																																																																																																																																																																																																																		
RCR																																																																																																																																																																																																																																										
0	118	118	118	115	115	115	111	111																																																																																																																																																																																																																																		
1	109	104	98	106	102	97	96	93																																																																																																																																																																																																																																		
2	98	91	83	95	89	81	84	80																																																																																																																																																																																																																																		
3	90	80	70	88	78	69	75	68																																																																																																																																																																																																																																		
4	82	70	61	80	68	60	67	59																																																																																																																																																																																																																																		
5	76	63	54	73	61	54	59	53																																																																																																																																																																																																																																		
6	69	56	47	68	56	47	54	46																																																																																																																																																																																																																																		
7	65	52	42	64	51	42	48	41																																																																																																																																																																																																																																		
8	60	46	39	58	46	39	45	38																																																																																																																																																																																																																																		
9	56	44	34	55	42	34	41	34																																																																																																																																																																																																																																		
10	53	40	32	52	40	32	39	32																																																																																																																																																																																																																																		

2x2 FluxGrid recessed LED, standard configuration, 4500 nominal delivered lumens

LER - 106

<p>Catalog No. 2FGG45L840-2-D-UNV-DIM</p> <p>Test No. 36782</p> <p>S/MH 1.2</p> <p>Lamp Type LED</p> <p>Lumens 4704</p> <p>Input Watts 45</p> <p>Comparative yearly lighting energy cost per 1000 lumens – \$2.26 based on 3000 hrs. and \$.08 pwr KWH.</p> <p>The photometric results were obtained in the Philips Day-Brite laboratory which is NVLAP accredited by the National Institute of Standards and Technology.</p> <p>Photometric values based on test performed in compliance with LM-79.</p>	<p>Candlepower</p> <table border="1"> <thead> <tr> <th>Angle</th> <th>End</th> <th>45</th> <th>Cross</th> <th>Back-45</th> </tr> </thead> <tbody> <tr><td>0</td><td>1800</td><td>1800</td><td>1800</td><td>1800</td></tr> <tr><td>5</td><td>1774</td><td>1791</td><td>1794</td><td>1791</td></tr> <tr><td>15</td><td>1684</td><td>1691</td><td>1692</td><td>1691</td></tr> <tr><td>25</td><td>1507</td><td>1512</td><td>1523</td><td>1512</td></tr> <tr><td>35</td><td>1268</td><td>1294</td><td>1319</td><td>1294</td></tr> <tr><td>45</td><td>1003</td><td>1058</td><td>1103</td><td>1058</td></tr> <tr><td>55</td><td>736</td><td>818</td><td>882</td><td>818</td></tr> <tr><td>65</td><td>447</td><td>590</td><td>666</td><td>590</td></tr> <tr><td>75</td><td>221</td><td>340</td><td>407</td><td>340</td></tr> <tr><td>85</td><td>42</td><td>96</td><td>108</td><td>96</td></tr> </tbody> </table>	Angle	End	45	Cross	Back-45	0	1800	1800	1800	1800	5	1774	1791	1794	1791	15	1684	1691	1692	1691	25	1507	1512	1523	1512	35	1268	1294	1319	1294	45	1003	1058	1103	1058	55	736	818	882	818	65	447	590	666	590	75	221	340	407	340	85	42	96	108	96	<p>Light Distribution</p> <table border="1"> <thead> <tr> <th>Degrees</th> <th>Lumens</th> <th>% Luminaire</th> </tr> </thead> <tbody> <tr><td>0-30</td><td>1342</td><td>28.5</td></tr> <tr><td>0-40</td><td>2150</td><td>45.7</td></tr> <tr><td>0-60</td><td>3692</td><td>78.4</td></tr> <tr><td>0-90</td><td>4706</td><td>100</td></tr> <tr><td>0-180</td><td>4706</td><td>100</td></tr> </tbody> </table> <p>Average Luminance</p> <table border="1"> <thead> <tr> <th>Zone</th> <th>End</th> <th>45°</th> <th>Cross</th> </tr> </thead> <tbody> <tr><td>45</td><td>18141</td><td>19143</td><td>19949</td></tr> <tr><td>55</td><td>16417</td><td>18253</td><td>19674</td></tr> <tr><td>65</td><td>13545</td><td>17871</td><td>20175</td></tr> <tr><td>75</td><td>10900</td><td>16807</td><td>20115</td></tr> <tr><td>85</td><td>6210</td><td>14034</td><td>15825</td></tr> </tbody> </table> <p>Coefficients of Utilization</p> <p>EFFECTIVE FLOOR CAVITY REFLECTANCE 20 PER (pfc=0.20)</p> <table border="1"> <thead> <tr> <th>pfc =</th> <th colspan="2">20</th> <th colspan="2">80</th> <th colspan="2">70</th> <th colspan="2">50</th> </tr> <tr> <th>Ceil</th> <th colspan="2"></th> <th colspan="2"></th> <th colspan="2"></th> <th colspan="2"></th> </tr> <tr> <th>Wall</th> <th>70</th> <th>50</th> <th>30</th> <th>70</th> <th>50</th> <th>30</th> <th>50</th> <th>30</th> </tr> <tr> <th>RCR</th> <th colspan="8"></th> </tr> </thead> <tbody> <tr><td>0</td><td>118</td><td>118</td><td>118</td><td>115</td><td>115</td><td>115</td><td>111</td><td>111</td></tr> <tr><td>1</td><td>109</td><td>104</td><td>98</td><td>106</td><td>101</td><td>97</td><td>96</td><td>93</td></tr> <tr><td>2</td><td>98</td><td>90</td><td>83</td><td>95</td><td>89</td><td>81</td><td>84</td><td>80</td></tr> <tr><td>3</td><td>90</td><td>79</td><td>70</td><td>88</td><td>78</td><td>69</td><td>75</td><td>68</td></tr> <tr><td>4</td><td>82</td><td>69</td><td>61</td><td>80</td><td>68</td><td>60</td><td>67</td><td>58</td></tr> <tr><td>5</td><td>76</td><td>63</td><td>54</td><td>73</td><td>61</td><td>53</td><td>59</td><td>52</td></tr> <tr><td>6</td><td>69</td><td>56</td><td>47</td><td>68</td><td>56</td><td>46</td><td>54</td><td>46</td></tr> <tr><td>7</td><td>65</td><td>52</td><td>42</td><td>63</td><td>51</td><td>42</td><td>48</td><td>41</td></tr> <tr><td>8</td><td>60</td><td>46</td><td>39</td><td>58</td><td>46</td><td>38</td><td>45</td><td>38</td></tr> <tr><td>9</td><td>56</td><td>42</td><td>34</td><td>55</td><td>42</td><td>34</td><td>41</td><td>34</td></tr> <tr><td>10</td><td>53</td><td>40</td><td>32</td><td>52</td><td>40</td><td>32</td><td>39</td><td>32</td></tr> </tbody> </table>	Degrees	Lumens	% Luminaire	0-30	1342	28.5	0-40	2150	45.7	0-60	3692	78.4	0-90	4706	100	0-180	4706	100	Zone	End	45°	Cross	45	18141	19143	19949	55	16417	18253	19674	65	13545	17871	20175	75	10900	16807	20115	85	6210	14034	15825	pfc =	20		80		70		50		Ceil									Wall	70	50	30	70	50	30	50	30	RCR									0	118	118	118	115	115	115	111	111	1	109	104	98	106	101	97	96	93	2	98	90	83	95	89	81	84	80	3	90	79	70	88	78	69	75	68	4	82	69	61	80	68	60	67	58	5	76	63	54	73	61	53	59	52	6	69	56	47	68	56	46	54	46	7	65	52	42	63	51	42	48	41	8	60	46	39	58	46	38	45	38	9	56	42	34	55	42	34	41	34	10	53	40	32	52	40	32	39	32
Angle	End	45	Cross	Back-45																																																																																																																																																																																																																																						
0	1800	1800	1800	1800																																																																																																																																																																																																																																						
5	1774	1791	1794	1791																																																																																																																																																																																																																																						
15	1684	1691	1692	1691																																																																																																																																																																																																																																						
25	1507	1512	1523	1512																																																																																																																																																																																																																																						
35	1268	1294	1319	1294																																																																																																																																																																																																																																						
45	1003	1058	1103	1058																																																																																																																																																																																																																																						
55	736	818	882	818																																																																																																																																																																																																																																						
65	447	590	666	590																																																																																																																																																																																																																																						
75	221	340	407	340																																																																																																																																																																																																																																						
85	42	96	108	96																																																																																																																																																																																																																																						
Degrees	Lumens	% Luminaire																																																																																																																																																																																																																																								
0-30	1342	28.5																																																																																																																																																																																																																																								
0-40	2150	45.7																																																																																																																																																																																																																																								
0-60	3692	78.4																																																																																																																																																																																																																																								
0-90	4706	100																																																																																																																																																																																																																																								
0-180	4706	100																																																																																																																																																																																																																																								
Zone	End	45°	Cross																																																																																																																																																																																																																																							
45	18141	19143	19949																																																																																																																																																																																																																																							
55	16417	18253	19674																																																																																																																																																																																																																																							
65	13545	17871	20175																																																																																																																																																																																																																																							
75	10900	16807	20115																																																																																																																																																																																																																																							
85	6210	14034	15825																																																																																																																																																																																																																																							
pfc =	20		80		70		50																																																																																																																																																																																																																																			
Ceil																																																																																																																																																																																																																																										
Wall	70	50	30	70	50	30	50	30																																																																																																																																																																																																																																		
RCR																																																																																																																																																																																																																																										
0	118	118	118	115	115	115	111	111																																																																																																																																																																																																																																		
1	109	104	98	106	101	97	96	93																																																																																																																																																																																																																																		
2	98	90	83	95	89	81	84	80																																																																																																																																																																																																																																		
3	90	79	70	88	78	69	75	68																																																																																																																																																																																																																																		
4	82	69	61	80	68	60	67	58																																																																																																																																																																																																																																		
5	76	63	54	73	61	53	59	52																																																																																																																																																																																																																																		
6	69	56	47	68	56	46	54	46																																																																																																																																																																																																																																		
7	65	52	42	63	51	42	48	41																																																																																																																																																																																																																																		
8	60	46	39	58	46	38	45	38																																																																																																																																																																																																																																		
9	56	42	34	55	42	34	41	34																																																																																																																																																																																																																																		
10	53	40	32	52	40	32	39	32																																																																																																																																																																																																																																		

© 2016 Philips Lighting Holding B.V. All rights reserved. Philips reserves the right to make changes in specifications and/or to discontinue any product at any time without notice or obligation and will not be liable for any consequences resulting from the use of this publication. philips.com/luminaires



Philips Lighting North America Corporation
200 Franklin Square Drive, Somerset, NJ 08873
Tel. 855-486-2216

Philips Lighting Canada Ltd.
281 Hillmount Rd, Markham, ON, Canada L6C 2S3
Tel. 800-668-9008