

# PHILIPS

## LED Modules

### Fortimo SLM

#### 1208 L15 2024 G6



Philips Fortimo LED spotlight module (SLM) gen 6 continues to focus on the combination of quality of light and performance. By offering the CoB separate from the holder, even more flexibility in possible system combinations and specifications is achieved. This results in an extensive portfolio of lumen ranges, CCTs and spectra. Please also check the online Easy Design-in Tool for your perfect system combination ([www.na.easydesignintool.philips.com](http://www.na.easydesignintool.philips.com)).

#### Ordering Data

Commercial Product Name	12NC	Minimum Order Quantity
Fortimo SLM C 740 1208 L15 2024 G6	9290 014 45806	20
Fortimo SLM C 827 1208 L15 2024 G6	9290 014 45906	20
Fortimo SLM C 830 1208 L15 2024 G6	9290 014 46006	20
Fortimo SLM C 835 1208 L15 2024 G6	9290 014 46106	20
Fortimo SLM C 840 1208 L15 2024 G6	9290 014 46206	20
Fortimo SLM C 850 1208 L15 2024 G6	9290 014 46306	20
Fortimo SLM C 857 1208 L15 2024 G6	9290 014 46406	20
Fortimo SLM C 927 1208 L15 2024 G6	9290 014 46506	20
Fortimo SLM C 930 1208 L15 2024 G6	9290 014 46606	20

Not all products are currently available as make-to-stock. Please contact your local Philips representative for specific availability and lead time.

# Fortimo SLM 1208 L15 2024 G6

## Features

- Excellent quality of light available for all applications
- Extensive range of CCT
- Small LES for narrow beam angles and small reflector designs
- Flexibility to select a different lumen output between 800 lm and 10000 lm
- State-of-the-art chip-on-board (CoB) technology, enabling high system efficacy
- System proposition (CoB + holder + driver)

- Flexibility to optimize luminaire performance (lm/W or high lumen output)
- Philips Advance Xitanium LED window drivers with SimpleSet technology for maximum flexibility
- Mini drivers for smallest possible luminaire designs
- Three dedicated product lines:
  - SLM gen 6 premium white
  - SLM gen 6 crisp white
  - SLM gen 6 food

## Benefits

- 5-year limited system warranty with over 50,000 hours lifetime<sup>1</sup>

## Applications

- Architectural lighting
- Retail spot lighting
- Recessed downlight

## Drive Currents

Parameter	Nominal*	Life**	Max***	Unit
Fortimo LED SLM 1208 L15 2024 G6	750	1500	1500	mA

## Module Temperatures

Parameter	Nominal*	Life**	Max***	Unit
Tc (case temperature at Tc point)	85	85	95	°C

\* Nominal value at which typical performance is specified

\*\* Value at which life time is specified

\*\*\* Maximum value for safe operation, do not operate above this value

1. View limited warranty at <http://www.usa.lighting.philips.com/support/support/warranty> for details and restrictions.

# Fortimo SLM 1208 L15 2024 G6

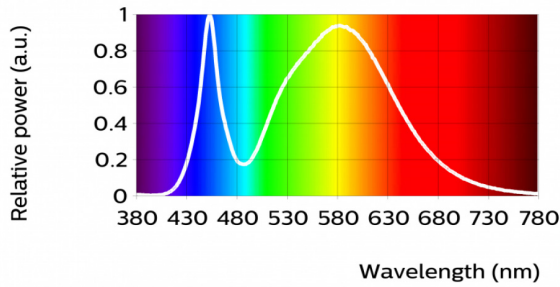
## Optical Characteristics – Table per CCT

### Fortimo SLM C 740 1208 L15 2024 G6

Parameter	Min	Typ	Max	Unit
Luminous Flux	3680	4090	4500	lm
Module Efficiency		160		lm/W
Correlated Color Temperature (CCT)		4000		K
Color Coordinates (CIEx, CIEy)		(0.382, 0.380)		–
Color Consistency			3	SDCM
CRI	70	72		–

Measurement tolerances are: ±5% on flux, ±6% on efficiency, +0.005 on x,y, and ±1.5 on CRI.

Measurement precision for flux +/- 5%.  
Measurement precision for efficacy +/- 6%.  
Measurement precision for x, y +/- 0.005.  
Measurement precision for CRI +/- 1.5.



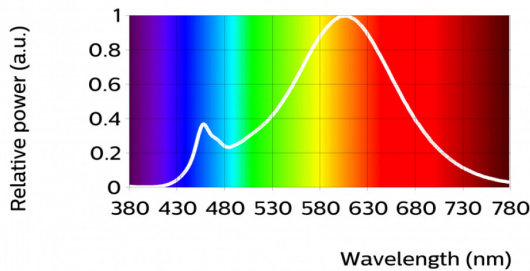
R1	R2	R3	R4	R5	R6	R7	R8	R9	R10	R11	R12	R13	R14	R15
71	81	89	71	70	72	83	54	-22	54	65	43	73	93	

### Fortimo SLM C 827 1208 L15 2024 G6

Parameter	Min	Typ	Max	Unit
Luminous Flux	3140	3490	3840	lm
Module Efficiency		137		lm/W
Correlated Color Temperature (CCT)		2700		K
Color Coordinates (CIEx, CIEy)		(0.458, 0.410)		–
Color Consistency			3	SDCM
CRI	80	82		–

Measurement tolerances are: ±5% on flux, ±6% on efficiency, +0.005 on x,y, and ±1.5 on CRI.

Measurement precision for flux +/- 5%.  
Measurement precision for efficacy +/- 6%.  
Measurement precision for x, y +/- 0.005.  
Measurement precision for CRI +/- 1.5.



R1	R2	R3	R4	R5	R6	R7	R8	R9	R10	R11	R12	R13	R14	R15
79	92	94	76	79	90	82	59	59	82	72	73	82	97	

# Fortimo SLM 1208 L15 2024 G6

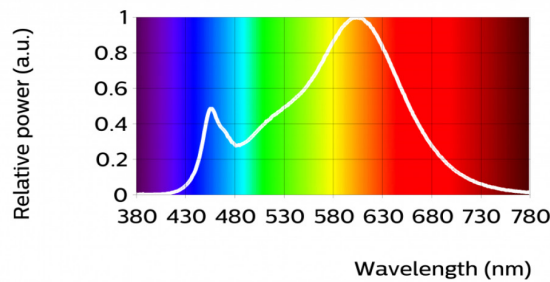
## Optical Characteristics – Table per CCT

### Fortimo SLM C 830 1208 L15 2024 G6

Parameter	Min	Typ	Max	Unit
Luminous Flux	3270	3640	4000	lm
Module Efficiency		143		lm/W
Correlated Color Temperature (CCT)		3000		K
Color Coordinates (CIEx, CIEy)		(0.434, 0.403)		–
Color Consistency			3	SDCM
CRI	80	82		–

Measurement tolerances are: ±5% on flux, ±6% on efficiency, +0.005 on x,y, and ±1.5 on CRI.

Measurement precision for flux +/- 5%.  
Measurement precision for efficacy +/- 6%.  
Measurement precision for x, y +/- 0.005.  
Measurement precision for CRI +/- 1.5.



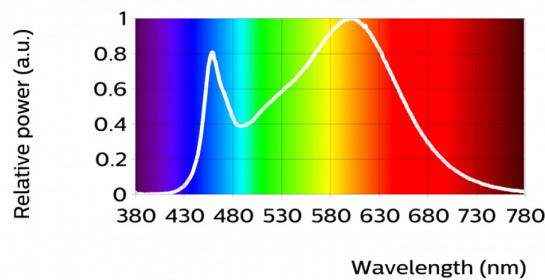
R1	R2	R3	R4	R5	R6	R7	R8	R9	R10	R11	R12	R13	R14	R15
83	94	93	80	84	94	81	59	59	87	80	76	86	97	

### Fortimo SLM C 835 1208 L15 2024 G6

Parameter	Min	Typ	Max	Unit
Luminous Flux	3340	3710	4080	lm
Module Efficiency		143		lm/W
Correlated Color Temperature (CCT)		3500		K
Color Coordinates (CIEx, CIEy)		(0.407, 0.392)		–
Color Consistency			3	SDCM
CRI	80	82		–

Measurement tolerances are: ±5% on flux, ±6% on efficiency, +0.005 on x,y, and ±1.5 on CRI.

Measurement precision for flux +/- 5%.  
Measurement precision for efficacy +/- 6%.  
Measurement precision for x, y +/- 0.005.  
Measurement precision for CRI +/- 1.5.



R1	R2	R3	R4	R5	R6	R7	R8	R9	R10	R11	R12	R13	R14	R15
86	96	93	80	85	94	83	65	65	90	79	70	89	97	

# Fortimo SLM 1208 L15 2024 G6

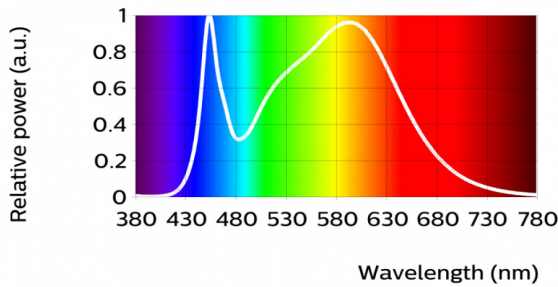
## Optical Characteristics – Table per CCT

### Fortimo SLM C 840 1208 L15 2024 G6

Parameter	Min	Typ	Max	Unit
Luminous Flux	3410	3790	4160	lm
Module Efficiency		148		lm/W
Correlated Color Temperature (CCT)		4000		K
Color Coordinates (CIEx, CIEy)		(0.382, 0.380)		–
Color Consistency			3	SDCM
CRI	80	82		–

Measurement tolerances are: ±5% on flux, ±6% on efficiency, +0.005 on x,y, and ±1.5 on CRI.

Measurement precision for flux +/- 5%.  
Measurement precision for efficacy +/- 6%.  
Measurement precision for x, y +/- 0.005.  
Measurement precision for CRI +/- 1.5.



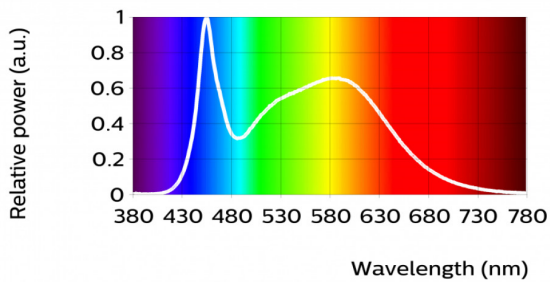
R1	R2	R3	R4	R5	R6	R7	R8	R9	R10	R11	R12	R13	R14	R15
80	89	96	79	80	85	86	63	63	74	77	58	82	98	

### Fortimo SLM C 850 1208 L15 2024 G6

Parameter	Min	Typ	Max	Unit
Luminous Flux	3410	3790	4160	lm
Module Efficiency		148		lm/W
Correlated Color Temperature (CCT)		5000		K
Color Coordinates (CIEx, CIEy)		(0.345, 0.355)		–
Color Consistency			3	SDCM
CRI	80	82		–

Measurement tolerances are: ±5% on flux, ±6% on efficiency, +0.005 on x,y, and ±1.5 on CRI.

Measurement precision for flux +/- 5%.  
Measurement precision for efficacy +/- 6%.  
Measurement precision for x, y +/- 0.005.  
Measurement precision for CRI +/- 1.5.



R1	R2	R3	R4	R5	R6	R7	R8	R9	R10	R11	R12	R13	R14	R15
83	92	95	80	82	87	86	68	68	79	78	58	86	98	

# Fortimo SLM 1208 L15 2024 G6

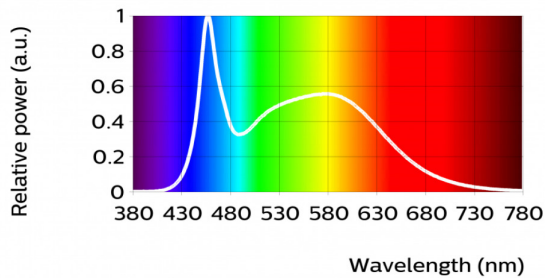
## Optical Characteristics – Table per CCT

### Fortimo SLM C 857 1208 L15 2024 G6

Parameter	Min	Typ	Max	Unit
Luminous Flux	3340	3710	4080	lm
Module Efficiency		143		lm/W
Correlated Color Temperature (CCT)		5700		K
Color Coordinates (CIEx, CIEy)		(0.329, 0.342)		–
Color Consistency			3	SDCM
CRI	80	82		–

Measurement tolerances are: ±5% on flux, ±6% on efficiency, +0.005 on x,y, and ±1.5 on CRI.

Measurement precision for flux +/- 5%.  
Measurement precision for efficacy +/- 6%.  
Measurement precision for x, y +/- 0.005.  
Measurement precision for CRI +/- 1.5.



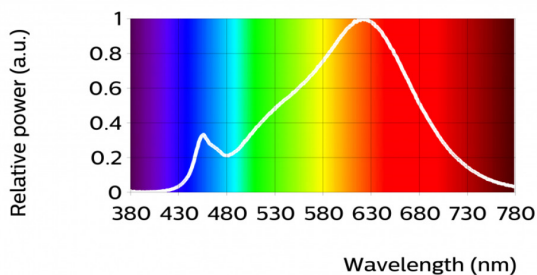
R1	R2	R3	R4	R5	R6	R7	R8	R9	R10	R11	R12	R13	R14	R15
82	93	95	79	83	88	86	68	14	82	78	61	87	98	

### Fortimo SLM C 927 1208 L15 2024 G6

Parameter	Min	Typ	Max	Unit
Luminous Flux	2600	2890	3180	lm
Module Efficiency		113		lm/W
Correlated Color Temperature (CCT)		2700		K
Color Coordinates (CIEx, CIEy)		(0.458, 0.410)		–
Color Consistency			3	SDCM
CRI	90	92		–

Measurement tolerances are: ±5% on flux, ±6% on efficiency, +0.005 on x,y, and ±1.5 on CRI.

Measurement precision for flux +/- 5%.  
Measurement precision for efficacy +/- 6%.  
Measurement precision for x, y +/- 0.005.  
Measurement precision for CRI +/- 1.5.



R1	R2	R3	R4	R5	R6	R7	R8	R9	R10	R11	R12	R13	R14	R15
92	96	99	91	91	96	91	79	79	90	91	81	93	99	

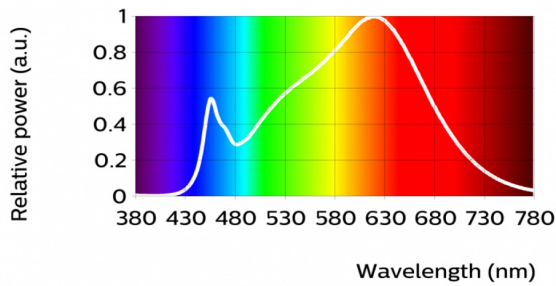
# Fortimo SLM 1208 L15 2024 G6

## Optical Characteristics – Table per CCT

Fortimo SLM C 930 1208 L15 2024 G6				
Parameter	Min	Typ	Max	Unit
Luminous Flux	2700	3000	3300	lm
Module Efficiency		118		lm/W
Correlated Color Temperature (CCT)		3000		K
Color Coordinates (CIEx, CIEy)		(0.434, 0.403)		–
Color Consistency			3	SDCM
CRI	90	92		–

Measurement tolerances are: ±5% on flux, ±6% on efficiency, +0.005 on x,y, and ±1.5 on CRI.

Measurement precision for flux +/- 5%.  
Measurement precision for efficacy +/- 6%.  
Measurement precision for x, y +/- 0.005.  
Measurement precision for CRI +/- 1.5.

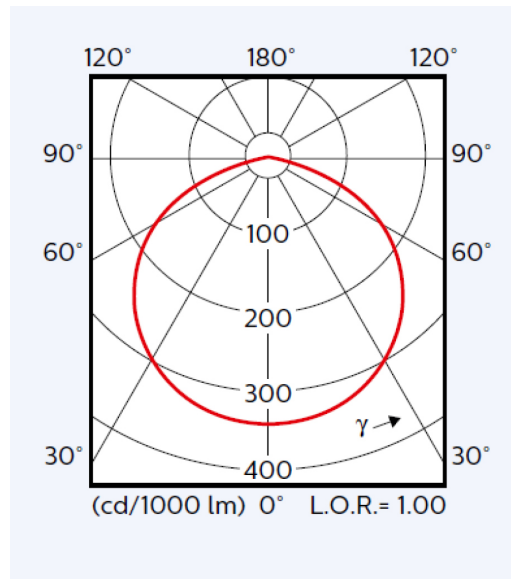


R1	R2	R3	R4	R5	R6	R7	R8	R9	R10	R11	R12	R13	R14	R15
83	94	93	80	84	94	81	59	59	87	80	76	86	97	

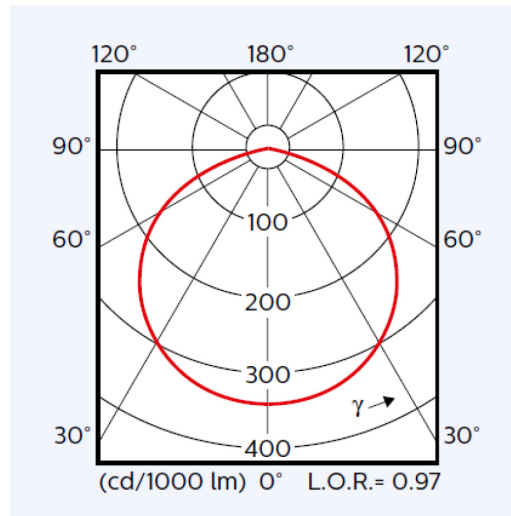
# Fortimo SLM 1208 L15 2024 G6

## Beam Shape

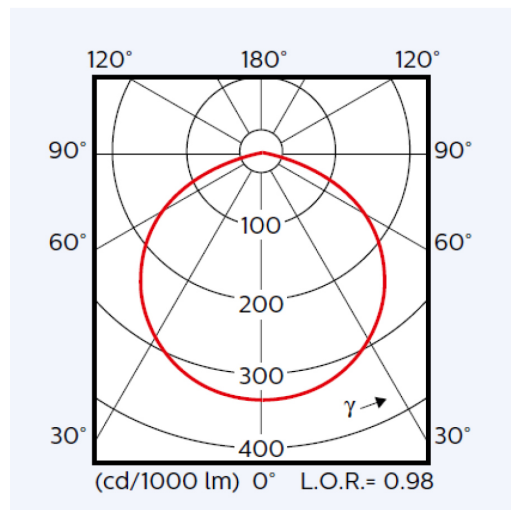
Bare CoB



CoB with a standard/downlight/Zhaga poke-in holder



CoB with a poke-in holder





# Fortimo SLM 1208 L15 2024 G6

## Fortimo SLM C 740 1208 L15 2024 G6

## Fortimo SLM C 857 1208 L15 2024 G6

Parameter	Min	Typ	Max	Unit
Forward Voltage		34.0	36.5	V
Power Consumption		25.5	27.4	W
Thermal Power		13.7		W

Measurement precision for Vf +/- 3%. Measurement precision for power +/- 3.3%.

## Fortimo SLM C 827 1208 L15 2024 G6

## Fortimo SLM C 830 1208 L15 2024 G6

## Fortimo SLM C 835 1208 L15 2024 G6

## Fortimo SLM C 840 1208 L15 2024 G6

## Fortimo SLM C 850 1208 L15 2024 G6

Parameter	Min	Typ	Max	Unit
Forward Voltage		34.0	36.5	V
Power Consumption		25.5	27.4	W
Thermal Power		14.4		W

Measurement precision for Vf +/- 3%. Measurement precision for power +/- 3.3%.

## Fortimo SLM C 927 1208 L15 2024 G6

## Fortimo SLM C 930 1208 L15 2024 G6

Parameter	Min	Typ	Max	Unit
Forward Voltage		34.0	36.5	V
Power Consumption		25.5	27.4	W
Thermal Power		15.5		W

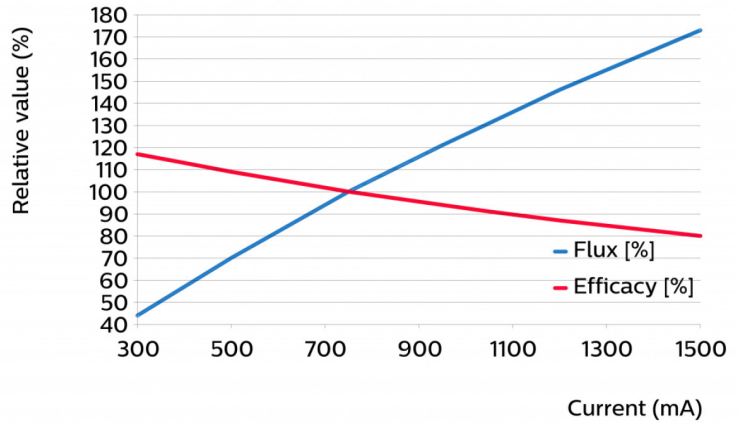
Measurement precision for Vf +/- 3%. Measurement precision for power +/- 3.3%.

# Fortimo SLM 1208 L15 2024 G6

## Tuning Information

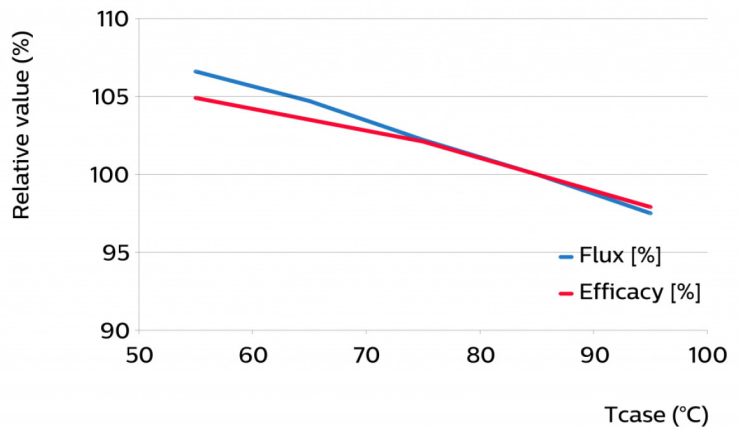
Flux and efficacy vs. current (at Tc nominal)

I [mA]	Flux [%]	Efficacy [%]
300	44	117
400	57	113
500	70	109
750	100	100
950	121	94
1050	131	91
1200	146	87
1500	173	80



Flux and efficacy vs. temperature at Tc (at I nominal)

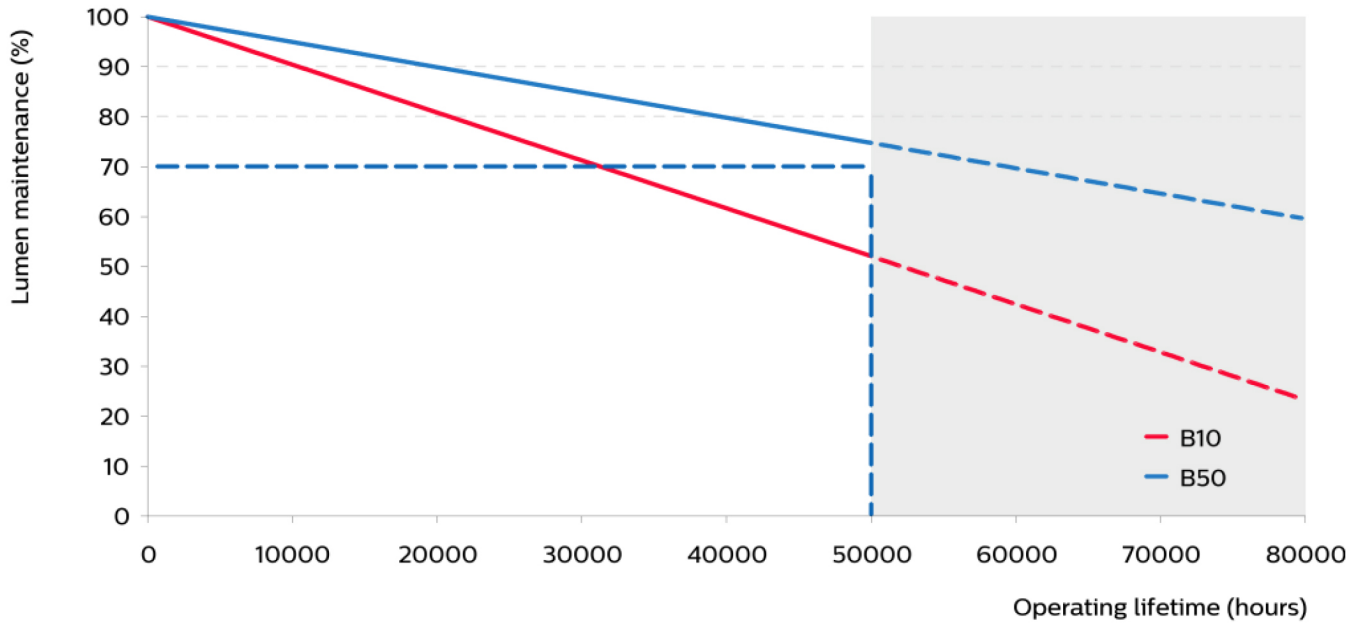
Tcase [°C]	Flux [%]	Efficacy [%]
55	107	105
65	105	104
75	102	102
85	100	100
95	98	98



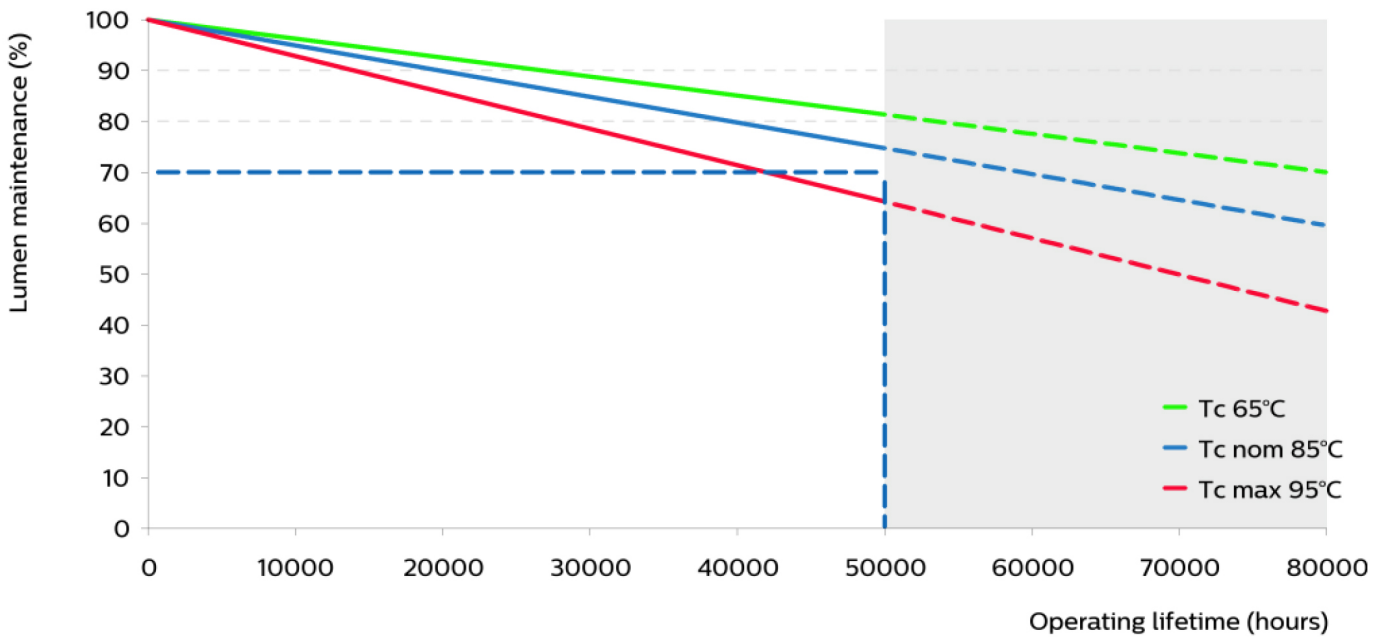
# Fortimo SLM 1208 L15 2024 G6

## Lumen Maintenance

Lumen maintenance at I-life and Tc-life conditions



Lumen maintenance for B50 at current I-life conditions



# Fortimo SLM 1208 L15 2024 G6

## Mechanical Characteristics

Fortimo SLM C 740 1208 L15 2024 G6

Fortimo SLM C 827 1208 L15 2024 G6

Fortimo SLM C 830 1208 L15 2024 G6

Fortimo SLM C 835 1208 L15 2024 G6

Fortimo SLM C 840 1208 L15 2024 G6

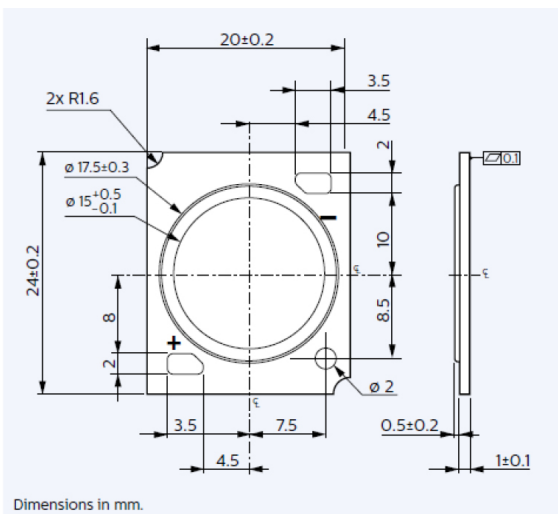
Fortimo SLM C 850 1208 L15 2024 G6

Fortimo SLM C 857 1208 L15 2024 G6

Fortimo SLM C 927 1208 L15 2024 G6

Fortimo SLM C 930 1208 L15 2024 G6

Parameter	Min	Typ	Max	Unit
Length	23.8	24	34.2	mm
Width	19.8	20	20.2	mm
Height PCB	0.9	1	1.1	mm
Height including dam	1.2	1.5	1.8	mm



## Absolute Ratings

Parameter	Min	Typ	Max	Unit
Current Through the LED Module (I-max)			1500	mA
Case Temperature (Tc-max)			95	°C
Power at Rated Vf-max and I-max			55.5	W
ESD Human Body Model (HBM) Class 3A JESD22-A114-E 8 kV			8	kV
ESD Machine Model (MM) Class B JESD22-A115-B			400	kV
Ambient Temperature	-20		40	°C
Storage Temperature	-40		80	°C

# Fortimo SLM 1208 L15 2024 G6

## Application Information

### Environmental

RoHS/REACH

### Certificates and standards

IEC 62031:2008 (First Edition) + A1:2012 + A2:2014

EN 62031:2008 + A1:2013 + A2:2015 without differences

Relevant clauses of IEC 62471:2006 (Incl. IEC/TR 62471-2: 2009 and IEC/TR 62778: 2014)

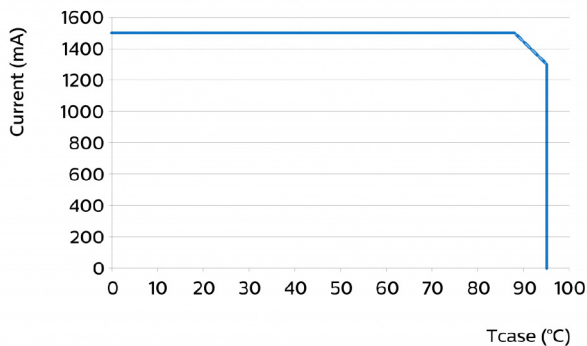
Relevant clauses of EN 62471:2008 (With IEC/TR 62471-2: 2009 and IEC/TR 62778: 2014)

Relevant clauses of IEC 60838-1:2004 + A1:2008 + A2:2011 with IEC 60838-2-2:2006 + A1:2012

Relevant clauses of EN 60838-1:2004 + A1:2008 + A2:2011 with EN 60838-2-2:2006 + A1:2012

Application	
IP Rating	No IP-rating
Overheating Protection	No
Luminaire Class	IEC Class I and Class II
Dimming	Yes

## Warranty Window



© 2016 Philips Lighting Holding B.V. All rights reserved.  
Philips reserves the right to make changes in specifications and/or to discontinue any product at any time without notice or obligation and will not be liable for any consequences resulting from the use of this publication.  
[philips.com/ledmodulesna](http://philips.com/ledmodulesna)



Philips Lighting North America Corporation  
10275 W. Higgins Road, Rosemont IL 60018  
Tel: 800-322-2086 Fax: 888-423-1882  
Customer/Technical Service: 800-372-3331  
OEM Support: 866-915-5886

Philips Lighting Canada Ltd.  
281 Hillmount Rd, Markham, ON, Canada L6C 2S3  
Tel. 800-668-9008