

# PHILIPS

## LED Modules

### Fortimo SLM Crisp White

#### 1205 L13 2024 G6



Philips Fortimo LED spotlight module (SLM) crisp white gen 6 continues to focus on the combination of quality of light and performance. By offering the CoB separate from the holder, even more flexibility in possible system combinations and specifications is achieved. This results in an extensive portfolio of lumen ranges, CCTs and spectra. Please also check the online Easy Design-in Tool for your perfect system combination ([www.na.easydesignintool.philips.com](http://www.na.easydesignintool.philips.com)).

#### Ordering Data

Commercial Product Name	12NC	Minimum Order Quantity
Fortimo SLM C 930 CW 1205 L13 2024 G6	9290 014 59906	20

Not all products are currently available as make-to-stock. Please contact your local Philips representative for specific availability and lead time.

# Fortimo SLM crisp white 1205 L13 2024 G6

## Features

- Excellent quality of light available for all applications
- Extensive range of CCT
- Small LES for narrow beam angles and small reflector designs
- Flexibility to select a different lumen output between 800 lm and 10000 lm
- State-of-the-art chip-on-board (CoB) technology, enabling high system efficacy
- System proposition (CoB + holder + driver)

- Flexibility to optimize luminaire performance (lm/W or high lumen output)
- Philips Advance Xitanium LED window drivers with SimpleSet technology for maximum flexibility
- Mini drivers for smallest possible luminaire designs
- Three dedicated product lines:
  - SLM gen 6 premium white
  - SLM gen 6 crisp white
  - SLM gen 6 food

## Benefits

- 5-year limited system warranty with over 50,000 hours lifetime<sup>1</sup>

## Applications

- Architectural lighting
- Retail spot lighting
- Recessed downlight

## Drive Currents

Parameter	Nominal*	Life**	Max***	Unit
Fortimo LED SLM CW 1205 L13 2024 G6	500	660	1050	mA

## Module Temperatures

Parameter	Nominal*	Life**	Max***	Unit
Tc (case temperature at Tc point)	85	85	95	°C

\* Nominal value at which typical performance is specified

\*\* Value at which life time is specified

\*\*\* Maximum value for safe operation, do not operate above this value

1. View limited warranty at <http://www.usa.lighting.philips.com/support/support/warranty> for details and restrictions.

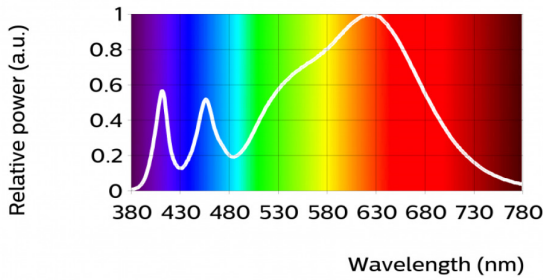
# Fortimo SLM crisp white 1205 L13 2024 G6

## Optical Characteristics – Table per CCT

Fortimo SLM C 930 CW 1205 L13 2024 G6				
Parameter	Min	Typ	Max	Unit
Luminous Flux	1540	1710	1880	lm
Module Efficiency		99		lm/W
Correlated Color Temperature (CCT)		3000		K
Color Coordinates (CIEx, CIEy)		(0.430, 0.395)		–
Color Consistency			3	SDCM
CRI	90	92		–

Measurement tolerances are: ±5% on flux, ±6% on efficiency, +0.005 on x,y, and ±1.5 on CRI.

Measurement precision for flux +/- 5%.  
 Measurement precision for efficacy +/- 6%.  
 Measurement precision for x, y +/- 0.005.  
 Measurement precision for CRI +/- 1.5.

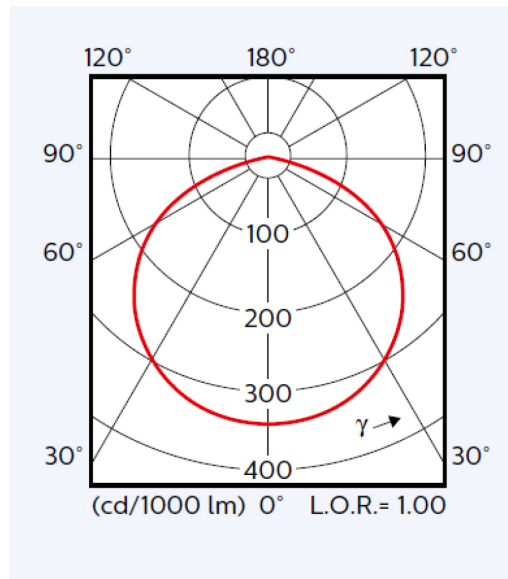


R1	R2	R3	R4	R5	R6	R7	R8	R9	R10	R11	R12	R13	R14	R15
91	93	93	90	90	91	92	83	83	82	89	79	92	95	

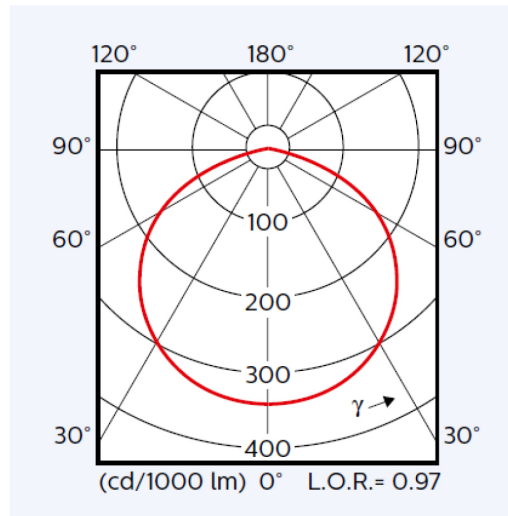
# Fortimo SLM crisp white 1205 L13 2024 G6

## Beam Shape

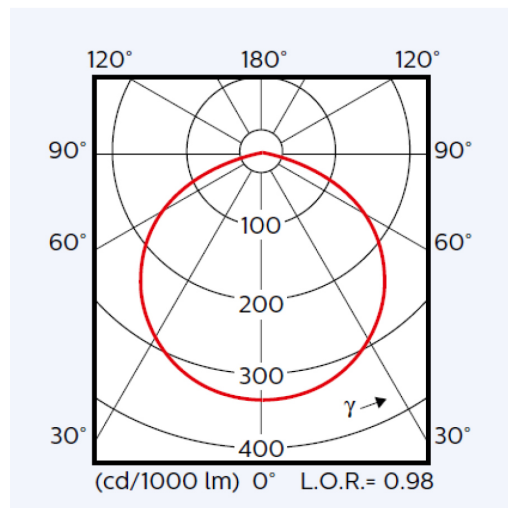
Bare CoB



CoB with a standard/downlight/Zhaga poke-in holder



CoB with a poke-in holder



# Fortimo SLM crisp white 1205 L13 2024 G6

## Fortimo SLM C 930 CW 1205 L13 2024 G6

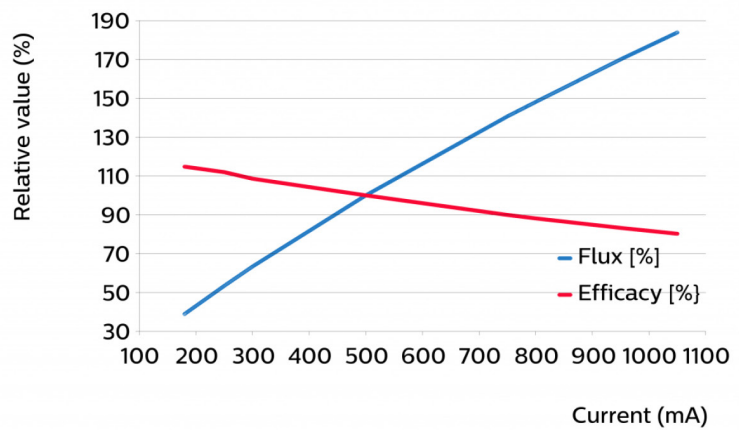
Parameter	Min	Typ	Max	Unit
Forward Voltage		34.7	37.2	V
Power Consumption		17.3	18.6	W
Thermal Power		11.4		W

Measurement precision for Vf +/- 3%. Measurement precision for power +/- 3.3%.

### Tuning Information

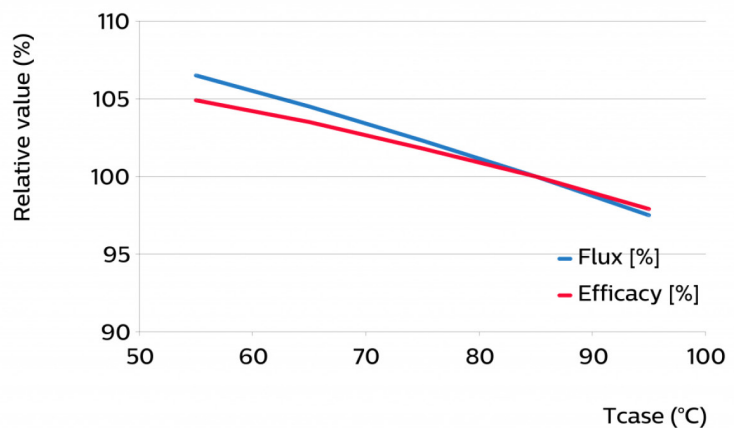
Flux and efficacy vs. current (at Tc nominal)

I [mA]	Flux [%]	Efficacy [%]
180	39	115
250	53	112
300	63	109
500	100	100
750	141	90
800	148	88
950	170	83
1050	184	80



Flux and efficacy vs. temperature at Tc (at I nominal)

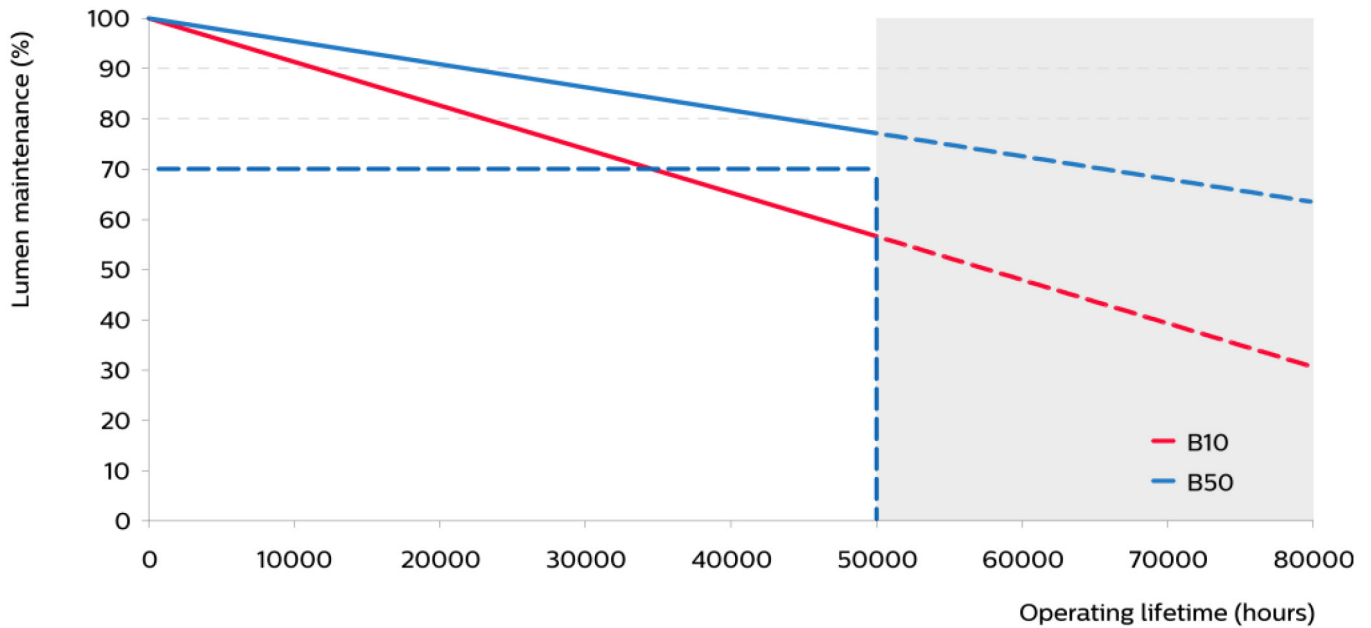
Tcase [°C]	Flux [%]	Efficacy [%]
55	107	105
65	105	104
75	102	102
85	100	100
95	98	98



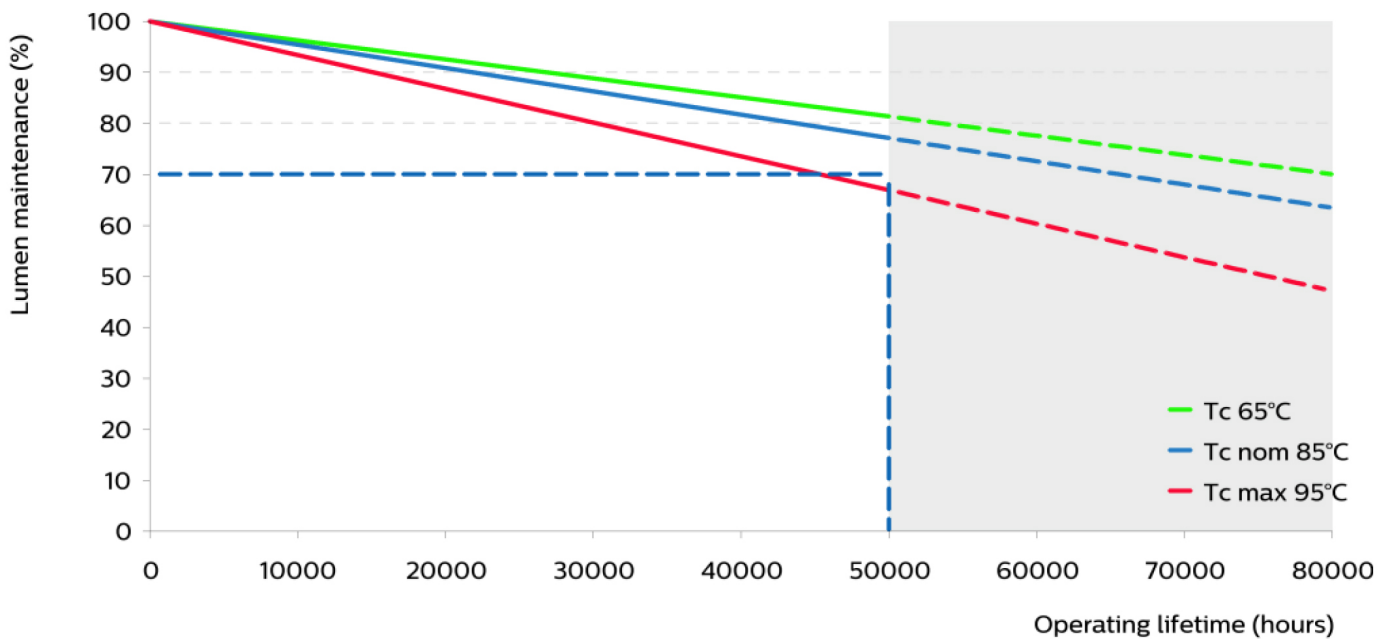
# Fortimo SLM crisp white 1205 L13 2024 G6

## Lumen Maintenance

Lumen maintenance at I-life and Tc-life conditions



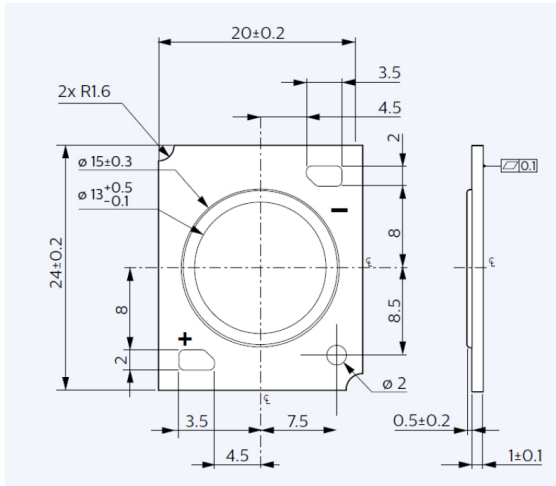
Lumen maintenance for B50 at current I-life conditions



# Fortimo SLM crisp white 1205 L13 2024 G6

## Mechanical Characteristics

Parameter	Min	Typ	Max	Unit
Length	23.8	24	34.2	mm
Width	19.8	20	20.2	mm
Height PCB	0.9	1	1.1	mm
Height including dam	1.2	1.5	1.8	mm



## Absolute Ratings

Parameter	Min	Typ	Max	Unit
Current Through the LED Module (I-max)			1050	mA
Case Temperature (Tc-max)			95	°C
Power at Rated Vf-max and I-max			42.5	W
ESD Human Body Model (HBM) Class 3A JESD22-A114-E 8 kV			8	kV
ESD Machine Model (MM) Class B JESD22-A115-B			400	kV
Ambient Temperature	-20		40	°C
Storage Temperature	-40		80	°C

# Fortimo SLM crisp white 1205 L13 2024 G6

## Application Information

### Environmental

RoHS/REACH

### Certificates and standards

IEC 62031:2008 (First Edition) + A1:2012 + A2:2014

EN 62031:2008 + A1:2013 + A2:2015 without differences

Relevant clauses of IEC 62471:2006 (Incl. IEC/TR 62471-2: 2009 and IEC/TR 62778: 2014)

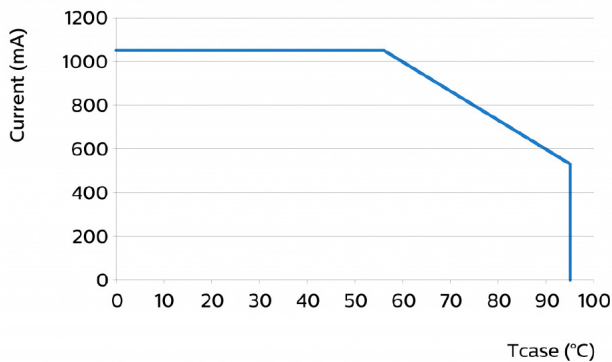
Relevant clauses of EN 62471:2008 (With IEC/TR 62471-2: 2009 and IEC/TR 62778: 2014)

Relevant clauses of IEC 60838-1:2004 + A1:2008 + A2:2011 with IEC 60838-2-2:2006 + A1:2012

Relevant clauses of EN 60838-1:2004 + A1:2008 + A2:2011 with EN 60838-2-2:2006 + A1:2012

Application	
IP Rating	No IP-rating
Overheating Protection	No
Luminaire Class	IEC Class I and Class II
Dimming	Yes

## Warranty Window



© 2016 Philips Lighting Holding B.V. All rights reserved.  
Philips reserves the right to make changes in specifications and/or to discontinue any product at any time without notice or obligation and will not be liable for any consequences resulting from the use of this publication.  
[philips.com/ledmodulesna](http://philips.com/ledmodulesna)



Philips Lighting North America Corporation  
10275 W. Higgins Road, Rosemont IL 60018  
Tel: 800-322-2086 Fax: 888-423-1882  
Customer/Technical Service: 800-372-3331  
OEM Support: 866-915-5886

Philips Lighting Canada Ltd.  
281 Hillmount Rd, Markham, ON, Canada L6C 2S3  
Tel. 800-668-9008