

PHILIPS

LED Modules

Fortimo SLM Food

1208 L15 2024 G6



Philips Fortimo LED spotlight module (SLM) food gen 6 continues to focus on the combination of quality of light and performance. By offering the CoB separate from the holder, even more flexibility in possible system combinations and specifications is achieved. This results in an extensive portfolio of lumen ranges, CCTs and spectra. Please also check the online Easy Design-in Tool for your perfect system combination (www.na.easydesignintool.philips.com).

Ordering Data

Commercial Product Name	12NC	Minimum Order Quantity
Fortimo SLM C 925 FWW 1208 L15 2024 G6	9290 014 52680	20
Fortimo SLM C 930 FPR 1208 L15 2024 G6	9290 014 52980	20

Not all products are currently available as make-to-stock. Please contact your local Philips representative for specific availability and lead time.

Fortimo SLM food 1208 L15 2024 G6

Features

- Excellent quality of light available for all applications
- Extensive range of CCT
- Small LES for narrow beam angles and small reflector designs
- Flexibility to select a different lumen output between 800 lm and 10000 lm
- State-of-the-art chip-on-board (CoB) technology, enabling high system efficacy
- System proposition (CoB + holder + driver)

- Flexibility to optimize luminaire performance (lm/W or high lumen output)
- Philips Advance Xitanium LED window drivers with SimpleSet technology for maximum flexibility
- Mini drivers for smallest possible luminaire designs
- Three dedicated product lines:
 - SLM gen 6 premium white
 - SLM gen 6 crisp white
 - SLM gen 6 food

Benefits

- 5-year limited system warranty with over 50,000 hours lifetime¹

Applications

- Architectural lighting
- Retail spot lighting
- Recessed downlight

Drive Currents

Parameter	Nominal*	Life**	Max***	Unit
Fortimo LED SLM Food 1208 L15 2024 G6	750	1250	1250	mA

Module Temperatures

Parameter	Nominal*	Life**	Max***	Unit
Tc (case temperature at Tc point)	85	85	95	°C

* Nominal value at which typical performance is specified

** Value at which life time is specified

*** Maximum value for safe operation, do not operate above this value

1. View limited warranty at <http://www.usa.lighting.philips.com/support/support/warranty> for details and restrictions.

Fortimo SLM food 1208 L15 2024 G6

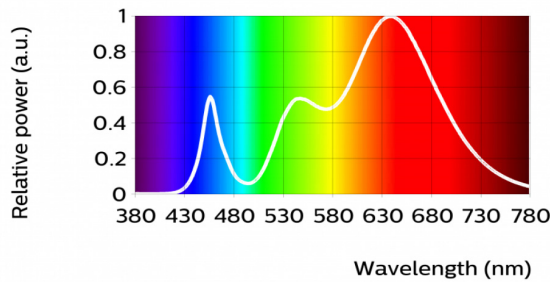
Optical Characteristics – Table per CCT

Fortimo SLM C 925 FWW 1208 L15 2024 G6

Parameter	Min	Typ	Max	Unit
Luminous Flux	1960	2170	2390	lm
Module Efficiency		85		lm/W
Color Coordinates (CIEx, CIEy)		(0.457, 0.385)		–
Color Consistency			3	SDCM
CRI		92		–

Measurement tolerances are: ±5% on flux, ±6% on efficiency, +0.005 on x,y, and ±1.5 on CRI.

Measurement precision for flux +/- 5%.
Measurement precision for efficacy +/- 6%.
Measurement precision for x, y +/- 0.005.
Measurement precision for CRI +/- 1.5.



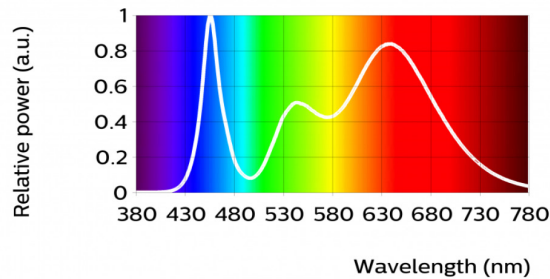
R1	R2	R3	R4	R5	R6	R7	R8	R9	R10	R11	R12	R13	R14	R15
94	97	83	93	99	94	95	92	92	89	91	77	94	87	

Fortimo SLM C 930 FPR 1208 L15 2024 G6

Parameter	Min	Typ	Max	Unit
Luminous Flux	2030	2250	2480	lm
Module Efficiency		88		lm/W
Color Coordinates (CIEx, CIEy)		(0.397, 0.330)		–
Color Consistency			3	SDCM
CRI		87		–

Measurement tolerances are: ±5% on flux, ±6% on efficiency, +0.005 on x,y, and ±1.5 on CRI.

Measurement precision for flux +/- 5%.
Measurement precision for efficacy +/- 6%.
Measurement precision for x, y +/- 0.005.
Measurement precision for CRI +/- 1.5.

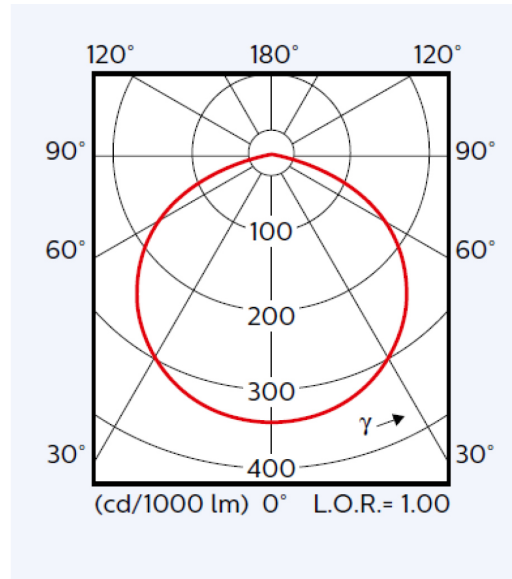


R1	R2	R3	R4	R5	R6	R7	R8	R9	R10	R11	R12	R13	R14	R15
83	89	87	91	88	88	96	80	80	89	90	74	83	89	

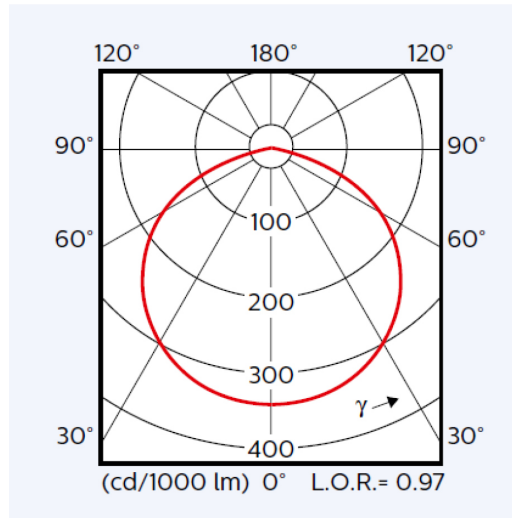
Fortimo SLM food 1208 L15 2024 G6

Beam Shape

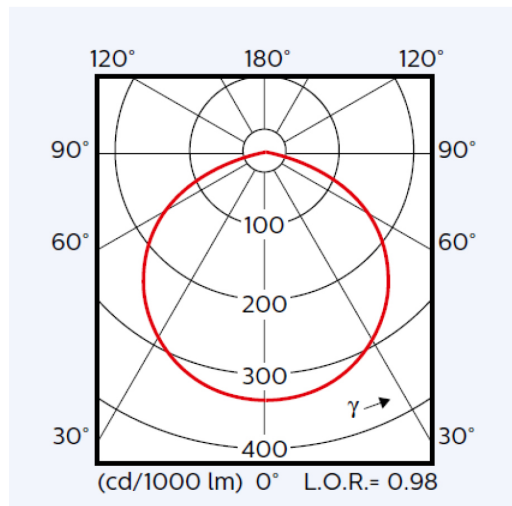
Bare CoB



CoB with a standard/downlight/Zhaga poke-in holder



CoB with a poke-in holder



Fortimo SLM food 1208 L15 2024 G6

Fortimo SLM C 925 FWW 1208 L15 2024 G6

Parameter	Min	Typ	Max	Unit
Forward Voltage		34.0	36.5	V
Power Consumption		25.5	27.4	W
Thermal Power		16.6		W

Measurement precision for Vf +/- 3%. Measurement precision for power +/- 3.3%.

Fortimo SLM C 930 FPR 1208 L15 2024 G6

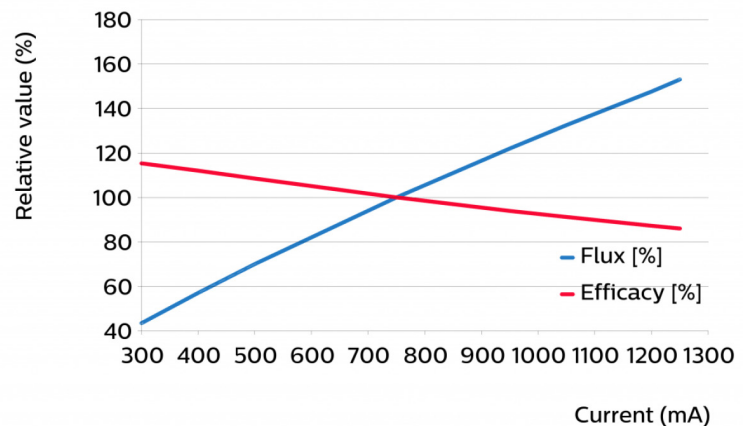
Parameter	Min	Typ	Max	Unit
Forward Voltage		34.1	36.6	V
Power Consumption		25.5	27.4	W
Thermal Power		15.8		W

Measurement precision for Vf +/- 3%. Measurement precision for power +/- 3.3%.

Tuning Information

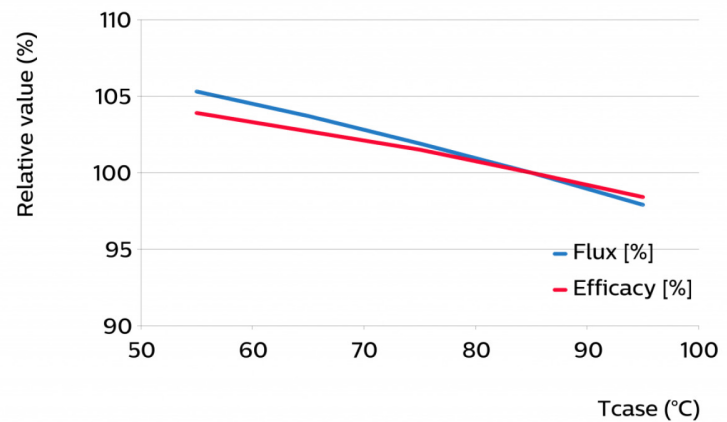
Flux and efficacy vs. current (at Tc nominal)

I [mA]	Flux [%]	Efficacy [%]
300	43	115
400	57	112
500	70	109
750	100	100
950	122	94
1050	133	91
1200	148	87
1500	153	86



Flux and efficacy vs. temperature at Tc (at I nominal)

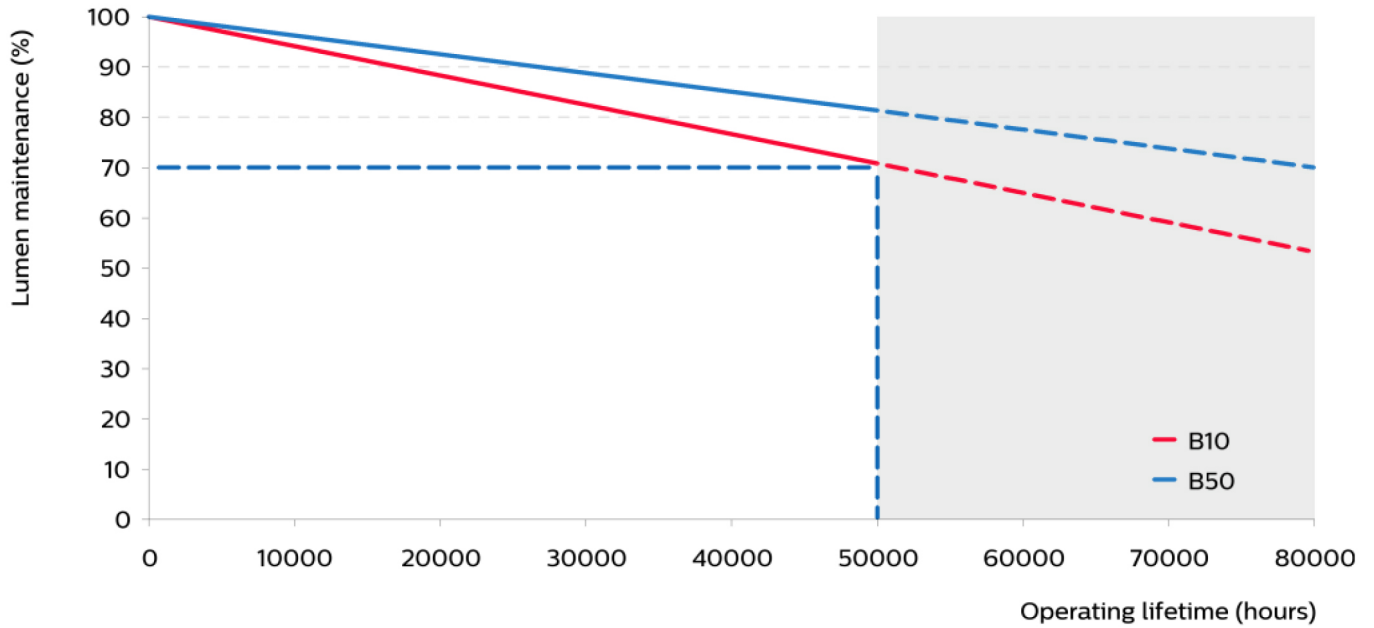
Tcase [°C]	Flux [%]	Efficacy [%]
55	105	104
65	104	103
75	102	102
85	100	100
95	98	98



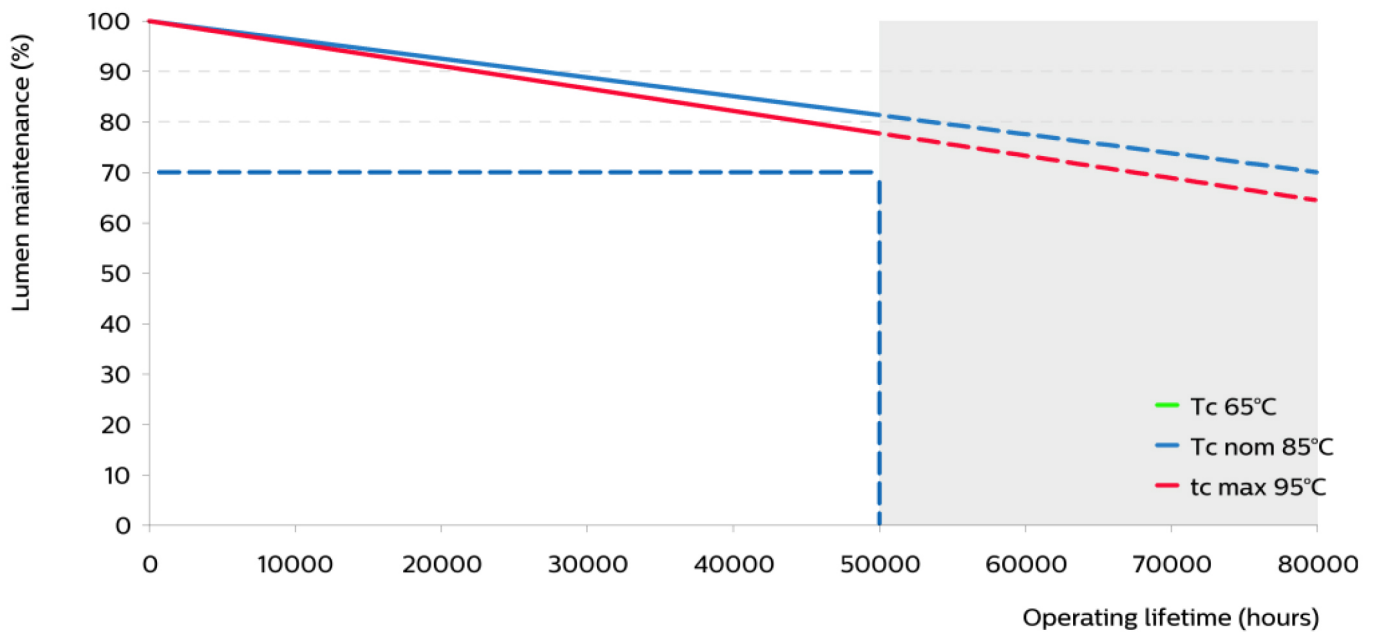
Fortimo SLM food 1208 L15 2024 G6

Lumen Maintenance

Lumen maintenance at I-life and Tc-life conditions



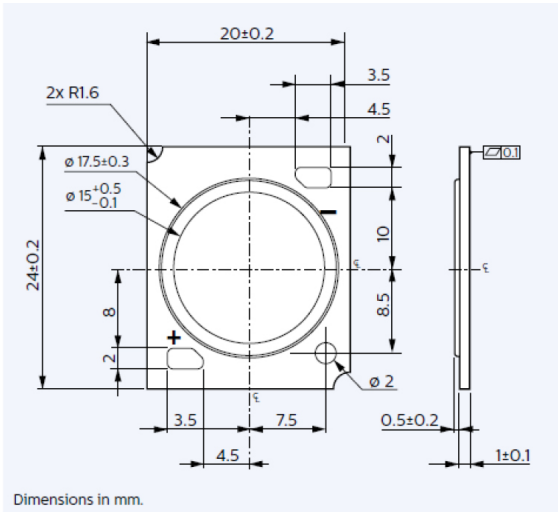
Lumen maintenance for B50 at current I-life conditions



Fortimo SLM food 1208 L15 2024 G6

Mechanical Characteristics

Parameter	Min	Typ	Max	Unit
Length	23.8	24	34.2	mm
Width	19.8	20	20.2	mm
Height PCB	0.9	1	1.1	mm
Height including dam	1.2	1.5	1.8	mm



Absolute Ratings

Parameter	Min	Typ	Max	Unit
Current Through the LED Module (I-max)			1500	mA
Case Temperature (Tc-max)			95	°C
Power at Rated Vf-max and I-max			52.8	W
ESD Human Body Model (HBM) Class 3A JESD22-A114-E 8 kV			8	kV
ESD Machine Model (MM) Class B JESD22-A115-B			400	kV
Ambient Temperature	-20		40	°C
Storage Temperature	-40		80	°C

Fortimo SLM food 1208 L15 2024 G6

Application Information

Environmental

RoHS/REACH

Certificates and standards

IEC 62031:2008 (First Edition) + A1:2012 + A2:2014

EN 62031:2008 + A1:2013 + A2:2015 without differences

Relevant clauses of IEC 62471:2006 (Incl. IEC/TR 62471-2: 2009 and IEC/TR 62778: 2014)

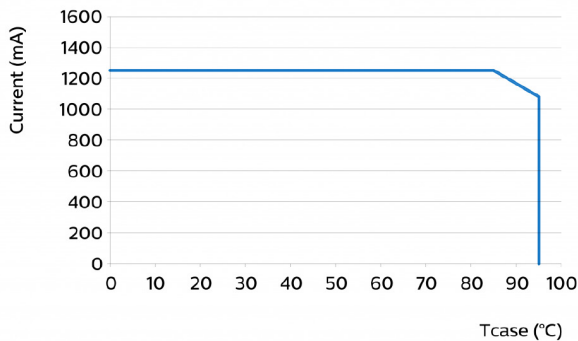
Relevant clauses of EN 62471:2008 (With IEC/TR 62471-2: 2009 and IEC/TR 62778: 2014)

Relevant clauses of IEC 60838-1:2004 + A1:2008 + A2:2011 with IEC 60838-2-2:2006 + A1:2012

Relevant clauses of EN 60838-1:2004 + A1:2008 + A2:2011 with EN 60838-2-2:2006 + A1:2012

Application	
IP Rating	No IP-rating
Overheating Protection	No
Luminaire Class	IEC Class I and Class II
Dimming	Yes

Warranty Window



© 2016 Philips Lighting Holding B.V. All rights reserved.
Philips reserves the right to make changes in specifications and/or to discontinue any product at any time without notice or obligation and will not be liable for any consequences resulting from the use of this publication.
philips.com/ledmodulesna



Philips Lighting North America Corporation
10275 W. Higgins Road, Rosemont IL 60018
Tel: 800-322-2086 Fax: 888-423-1882
Customer/Technical Service: 800-372-3331
OEM Support: 866-915-5886

Philips Lighting Canada Ltd.
281 Hillmount Rd, Markham, ON, Canada L6C 2S3
Tel. 800-668-9008