

PHILIPS

LED Modules

Fortimo SLM Gen 6

Holders



Philips Fortimo LED spotlight module (SLM) gen 6 continues to focus on the combination of quality of light and performance. By offering the CoB separate from the holder, even more flexibility in system combinations and specifications is achieved. This results in an extensive portfolio of lumen ranges, CCTs and spectra. Please also check the online Easy Design-in Tool for your perfect system combination (www.na.easydesignintool.philips.com).

Ordering Data

Commercial product name	12NC	Minimum order quantity
Fortimo SLM H 1619 G1	9290 009 93580	20
Fortimo SLM H DL 1619 G1	9290 009 93680	20
Fortimo SLM H PI 1619 G1	9290 009 93780	20
Fortimo SLM H ZP 1619 G1	9290 014 51980	20
Fortimo SLM H 2024 G1	9290 009 80703	20
Fortimo SLM H DL 2024 G1	9290 009 80803	20
Fortimo SLM H PI 2024 G1	9290 009 80903	20
Fortimo SLM H ZP 2024 G1	9290 014 52080	20
Fortimo SLM H 2828 G1	9290 009 81003	20
Fortimo SLM H DL 2828 G1	9290 009 81103	20
Fortimo SLM H PI 2828 G1	9290 009 81203	20
Fortimo SLM H ZP 2828 G1	9290 014 52180	20

Not all products are currently available as make-to-stock. Please contact your local Philips representative for specific availability and lead time.

Fortimo SLM gen 6 holders

Features

- Excellent quality of light available for all applications
- Extensive range of CCT
- Small LES for narrow beam angles and small reflector designs
- Flexibility to select lumen outputs between 800 lm and 10,000 lm
- State-of-the-art chip-on-board (CoB) technology, enabling high system efficacy
- System proposition (CoB + holder + driver)

- Flexibility to optimize luminaire performance (lm/W or high lumen output)
- Philips Advance Xitanium LED window drivers with SimpleSet technology for maximum flexibility
- Mini drivers for smallest possible luminaire designs
- Four dedicated product lines:
 - SLM gen 6
 - SLM gen 6 premium white
 - SLM gen 6 crisp white
 - SLM gen 6 food

Benefits

- 5-year limited system warranty with over 50,000 hours lifetime¹

Applications

- Architectural lighting
- Retail spot lighting
- Recessed downlight

Electrical Characteristics

Fortimo SLM H 1619 G1

Fortimo SLM H DL 1619 G1

Fortimo SLM H ZP 1619 G1

Fortimo SLM H 2024 G1

Fortimo SLM H DL 2024 G1

Fortimo SLM H ZP 2024 G1

Fortimo SLM H 2828 G1

Fortimo SLM H DL 2828 G1

Fortimo SLM H ZP 2828 G1

Parameter	Min	Typ	Max	Unit
Number of Modules in Series			5	
Number of Modules in Parallel			1	

Fortimo SLM H PI 1619 G1

Fortimo SLM H PI 2024 G1

Fortimo SLM H PI 2828 G1

Parameter	Min	Typ	Max	Unit
Number of Modules in Series			2	
Number of Modules in Parallel			1	

Wiring

Specification item	Value	Unit	Condition
Input Wire Cross-section	0.33...0.75	mm ²	solid, fused
	18...22	AWG	solid, fused
Input Wire Strip Length	7.5...8.5	mm	

1. View limited warranty at <http://www.usa.lighting.philips.com/support/support/warranty> for details and restrictions.

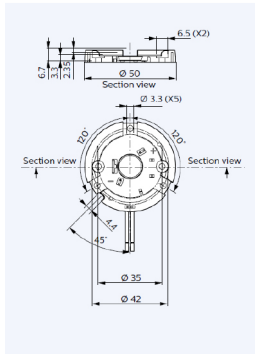
Fortimo SLM gen 6 holders

Mechanical Characteristics

Fortimo SLM H 1619 G1

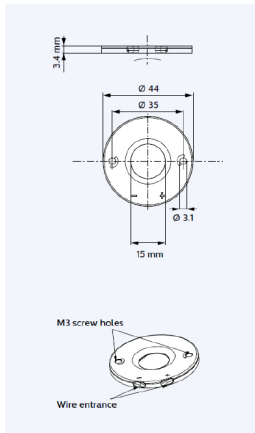
Fortimo SLM H DL 1619 G1

Parameter	Min	Typ	Max	Unit
Length		50		mm
Width		6.7		mm



Fortimo SLM H PI 1619 G1

Parameter	Min	Typ	Max	Unit
Length		44		mm
Width		3.1		mm

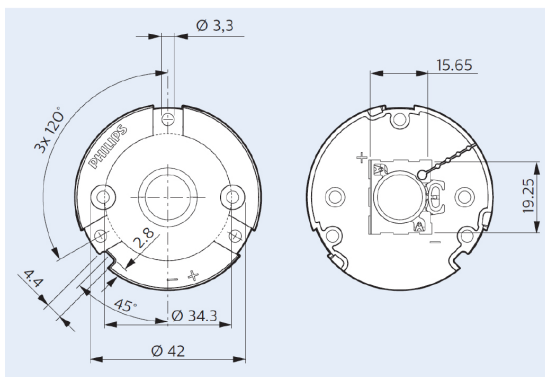


Fortimo SLM gen 6 holders

Mechanical Characteristics

Fortimo SLM H ZP 1619 G1

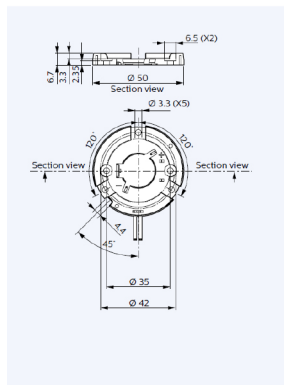
Parameter	Min	Typ	Max	Unit
Length		50		mm
Width		6.7		mm



Fortimo SLM H 2024 G1

Fortimo SLM H DL 2024 G1

Parameter	Min	Typ	Max	Unit
Length		50		mm
Width		6.7		mm

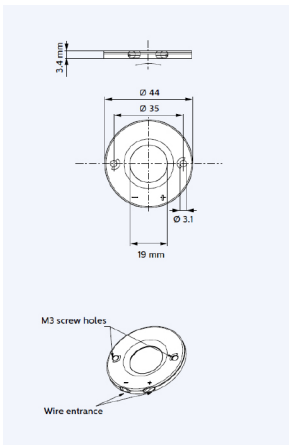


Fortimo SLM gen 6 holders

Mechanical Characteristics

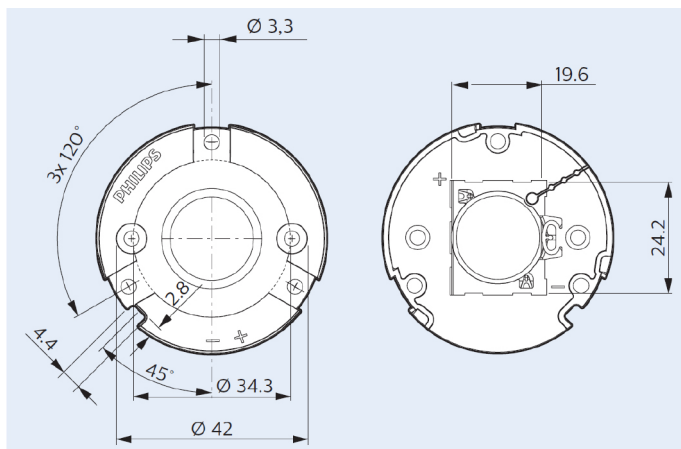
Fortimo SLM H PI 2024 G1

Parameter	Min	Typ	Max	Unit
Length		44		mm
Width		3.4		mm



Fortimo SLM H ZP 2024 G1

Parameter	Min	Typ	Max	Unit
Length		50		mm
Width		6.7		mm



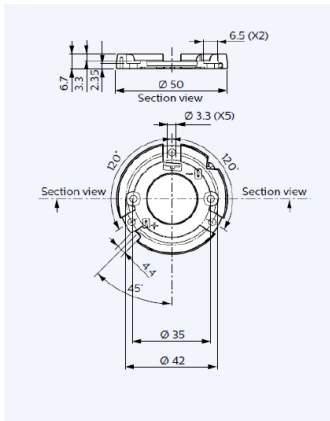
Fortimo SLM gen 6 holders

Mechanical Characteristics

Fortimo SLM H 2828 G1

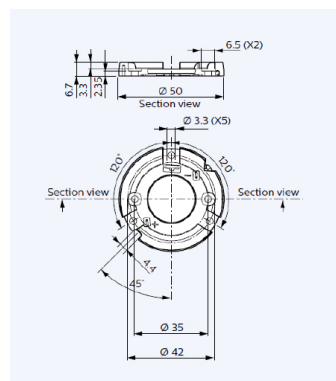
Fortimo SLM H DL 2828 G1

Parameter	Min	Typ	Max	Unit
Length		50		mm
Width		6.7		mm



Fortimo SLM H PI 2828 G1

Parameter	Min	Typ	Max	Unit
Length		50		mm
Width		3.6		mm

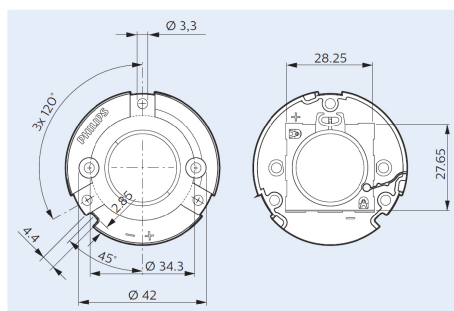


Fortimo SLM gen 6 holders

Mechanical Characteristics

Fortimo SLM H PI 2828 G1

Parameter	Min	Typ	Max	Unit
Length		50		mm
Width		6.7		mm



© 2016 Philips Lighting Holding B.V. All rights reserved.
Philips reserves the right to make changes in specifications and/or to discontinue any product at any time without notice or obligation and will not be liable for any consequences resulting from the use of this publication.
philips.com/ledmodulesna



Philips Lighting North America Corporation
10275 W. Higgins Road, Rosemont IL 60018
Tel: 800-322-2086 Fax: 888-423-1882
Customer/Technical Service: 800-372-3331
OEM Support: 866-915-5886

Philips Lighting Canada Ltd.
281 Hillmount Rd, Markham, ON, Canada L6C 2S3
Tel. 800-668-9008