

# PHILIPS LIGHTOLIER

## Track lighting

### OmniSpot LED

LC10, 12W / 1000lm



Project: \_\_\_\_\_  
 Location: \_\_\_\_\_  
 Cat.No: \_\_\_\_\_  
 Type: \_\_\_\_\_  
 Lamps: \_\_\_\_\_ Qty: \_\_\_\_\_  
 Notes: \_\_\_\_\_

OmniSpot LED cylinder is designed to meet the most demanding retail lighting challenges through sleek and discrete aesthetics while providing a high center beam candlepower and efficacy performance. OmniSpot LED cylinder allows for less than 1" of space between the track head and track in the ceiling.

### Fixture

example: LC10930WTECW

Series	Adapters	Lumens	CRI/CCT	Finishes	Dimming	Options
<input type="checkbox"/> LC	<input type="checkbox"/>	<input type="checkbox"/> 10	<input type="checkbox"/>	<input type="checkbox"/>	<input type="checkbox"/> TE	<input type="checkbox"/>
LC OmniSpot LED cylinder	— Lightolier C Capri <sup>1</sup> H Halo J Juno P Prospec <sup>1</sup> GT Global TEK	10 1000lm	827 80CRI/2700K 830 80CRI/3000K 835 80CRI/3500K 840 80CRI/4000K 927 90CRI/2700K 930 90CRI/3000K	AL Aluminum <sup>1</sup> BK Matte Black W Matte White	TE Trailing edge (ELV)	— None (leave blank)
			930 90CRI/3000K	See above finishes	TE Trailing edge (ELV)	CW CrispWhite

### Reflector

example: LLMRNS

Series	Beam spreads (ordered separately)
<input type="checkbox"/> LLM	<input type="checkbox"/>
LLM Reflector for 1000lm	RNS 12° Narrow Spot RS 18° Spot RNF 24° Narrow Flood RF 36° Flood

### Accessories<sup>2</sup>

example: LC10AHWH

Series	Finishes/Types
<input type="checkbox"/>	<input type="checkbox"/>
LC10AH Accessory holder <sup>3</sup>	WH Matte White
LC10SN Snoot	BK Matte Black
	AL Aluminum
7472 Hex cell (matte black) <sup>4</sup>	
LC10 Diffusion film	SY Symmetrical Spread
	SF Soft Focus
	LS Linear Spread
	FR Frosted Etched

1. Prospec and Capri adapters not available with aluminum finish.
2. Aperture ring on the fixture can hold a maximum of 1 film and 1 snoot.
3. Accessory holder can hold a maximum of 1 hex cell, 1 film, and 1 snoot.
4. Hex cell needs to be ordered with an Accessory holder.

### Features

1. **LED board:** COB LED.
2. **Integrated housing heat sink:** Impact extrusion aluminum maintains LED junction temperature for min of 50,000 hr lifetime (pending) at 70% lumen maintenance.
3. **Track attachment fitting:** Locking lever for mechanical/electrical connection.
4. **Aperture Ring:** Included with luminaire. Die cast aluminum, powder coated to match other components. Easily threads on and off without use of tools to access reflector and install accessories. Accepts a maximum of 1 film and 1 snoot.
5. **Mounting arm:** Die-cast aluminum.
6. **Movable brass contact:** Brass extends for connection to 2nd circuit (Advent track only).
7. **Pivot mounts:** Allows for 350° horizontal. Vertical rotation of +/- 90° from vertical aim to the floor.
8. **Interchangeable optics:** High efficiency metalized coating providing up to 98% total reflectivity for optimal light quality, beam control and punch. Reflector has lens attached which protects reflector finish and LEDs from contamination. Tool-less installation. Reflector sold separately to allow field replaceability.
10. **Finishes:** Powder coated.

### Electrical (electronic power supply)

Input voltage: 120V, 60Hz Input power: 12W  
 Efficacy: 82lm/W (nominal) @ 3000K  
 High power factor: >0.9 CRI: 80-85 (typical)

### Labels

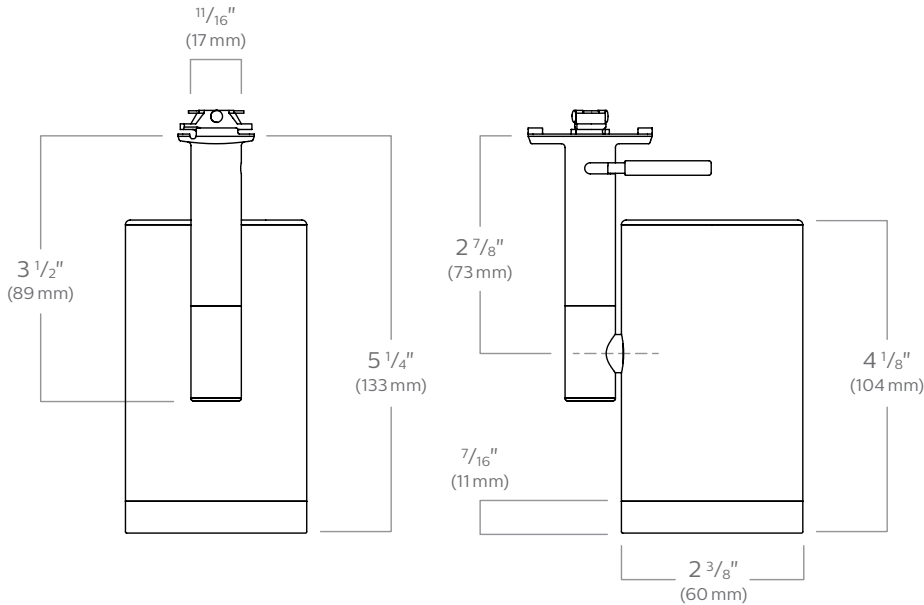
cULus Listed.  
 5 year warranty.  
 ENERGY STAR<sup>®</sup> certified (except any combinations containing CrispWhite, 80CRI 40K, or accessories are not certified).



# LC10 OmniSpot LED

Cylinder, 1000 lm (12 W)

## Dimensions



## Dimming

**Trailing edge (ELV) dimming compatible**

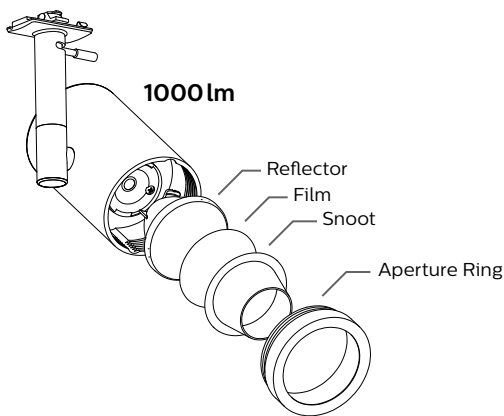
<b>SR400RPC120</b>	Philips Sunrise (100 - 5%)
<b>SELV-300P</b>	Lutron Skylark (100-7%)
<b>DVELV-300P</b>	Lutron Diva (100-7%)
<b>6615-P</b>	Leviton Decora (100-12%)

## Mounting

Compatible with all Monopoint, Multipoint, recessed track, suspension track, as well as Basic, Advent and Radius track systems. Can be wall mounted vertically or horizontally. Cannot be used with extension wands.

	Beam spread (To 50% CBCP)	CBCP	Rated Life (Hrs.)
<b>LLMRNS</b> Narrow Spot	12°	14,160	50,000
<b>LLMRS</b> Spot	18°	7,103	50,000
<b>LLMRNF</b> Narrow Flood	24°	4,891	50,000
<b>LLMRF</b> Flood	36°	2,680	50,000

## Accessories (ordered separately)



**Hex cell louvers**  
7472 = 2" dia.



Only available in matte black. Must order the accessory holder to hold the hex cell louver.

**Snoot**  
LC10SN = 2" dia.



**Diffusion/special films**  
LC10 = 2" dia.

-  **LS** Linear spread film
-  **FR** Frosted etched film
-  **SF** Soft focus film
-  **SY** Symmetrical spread film

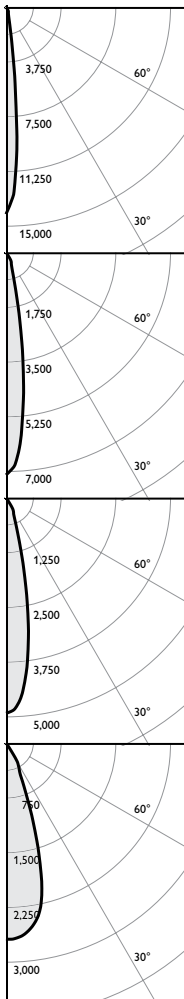
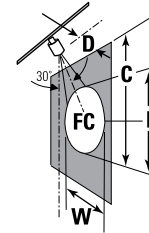
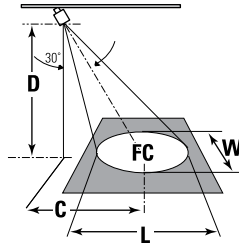
# LC10 OmniSpot LED

Cylinder, 1000 lm (12 W)

## Aiming angles

L and W are the outer points where the candle power drops to 50% of the maximum. FC are the initial footcandles at the center of the beam. Data shown is for 3000K, for 2700K multiply FC by 0.91.

L Beam length  
D Distance  
W Beam Width  
A Aiming Angle  
FC Footcandles  
C Distance to center beam  
CBCP Center Beam Candlepower.



**Fixture: LC10830ALTE**  
**Reflector: LLMRNS**  
CCT<sup>1</sup>: 3000K  
Output lumens: 1083 lms  
Input watts<sup>2</sup>: 11.1 W  
Efficacy: 97.6 lm/w  
CRI: 80 min  
CBCP: 14,160 cd  
Beam Angle: 12°  
Field Angle: 24°  
Report no<sup>3</sup>: 924GFR

**Fixture: LC10830ALTE**  
**Reflector: LLMRS**  
CCT<sup>1</sup>: 3000K  
Output lumens: 1068 lms  
Input watts<sup>2</sup>: 11.1 W  
Efficacy: 96.2 lm/w  
CRI: 80 min  
CBCP: 7,103 cd  
Beam Angle: 18°  
Field Angle: 37°  
Report no<sup>3</sup>: 923GFR

**Fixture: LC10830ALTE**  
**Reflector: LLMRNF**  
CCT<sup>1</sup>: 3000K  
Output lumens: 1057 lms  
Input watts<sup>2</sup>: 11.1 W  
Efficacy: 95.2 lm/w  
CRI: 80 min  
CBCP: 4,891 cd  
Beam Angle: 24°  
Field Angle: 46°  
Report no<sup>3</sup>: 922GFR

**Fixture: LC10830ALTE**  
**Reflector: LLMRF**  
CCT<sup>1</sup>: 3000K  
Output lumens: 1050 lms  
Input watts<sup>2</sup>: 11.1 W  
Efficacy: 94.6 lm/w  
CRI: 80 min  
CBCP: 2,680 cd  
Beam Angle: 36°  
Field Angle: 62°  
Report no<sup>3</sup>: 921GFR

### Narrow Spot 30° Horizontal Aiming

Distance	Beam	
	L	W
6	3.5	1.7
8	4.6	2.3
10	5.8	2.8
12	6.9	3.4

### 30° Horizontal Aiming

Distance	Beam	
	L	W
2	3.5	0.8
3	5.2	1.3
4	6.9	1.7
5	8.7	2.1

### Spot 30° Horizontal Aiming

Distance	Beam	
	L	W
6	3.5	2.2
8	4.6	2.9
10	5.8	3.7
12	6.9	4.4

### 30° Horizontal Aiming

Distance	Beam	
	L	W
2	3.5	1.3
3	5.2	1.9
4	6.9	2.5
5	8.7	3.2

### Narrow Flood 30° Horizontal Aiming

Distance	Beam	
	L	W
6	3.5	2.8
8	4.6	3.8
10	5.8	4.7
12	6.9	5.6

### 30° Horizontal Aiming

Distance	Beam	
	L	W
2	3.5	1.6
3	5.2	2.4
4	6.9	3.3
5	8.7	4.1

### Flood 30° Horizontal Aiming

Distance	Beam	
	L	W
6	3.5	4.5
8	4.6	6.0
10	5.8	7.5
12	6.9	9.0

### 30° Horizontal Aiming

Distance	Beam	
	L	W
2	3.5	2.6
3	5.2	3.9
4	6.9	5.2
5	8.7	6.5

1. Correlated Color Temperature within specs as defined in ANSI\_NEMA\_ANSI C78.377-2008: Specifications for the Chromaticity of Solid State Lighting Products.
2. Wattage controlled to within +/- 5%.
3. Tested using absolute photometry as specified in LM79: IESNA Approved Method for the Electrical and Photometric Measurements of Solid-State Lighting Products.

© 2016 Philips Lighting Holding B.V. All rights reserved.  
Philips reserves the right to make changes in specifications and/or to discontinue any product at any time without notice or obligation and will not be liable for any consequences resulting from the use of this publication.  
philips.com/luminaires



Philips Lighting North America Corporation  
200 Franklin Square Drive, Somerset, NJ 08873  
Tel. 855-486-2216

Philips Lighting Canada Ltd.  
281 Hillmount Rd, Markham, ON, Canada L6C 2S3  
Tel. 800-668-9008