

PHILIPS LIGHTOLIER

Track lighting

OmniSpot LED

LC20, 25W/2000lm

Available Q4 2016



Project: _____
 Location: _____
 Cat.No: _____
 Type: _____
 Lamps: _____ Qty: _____
 Notes: _____

OmniSpot LED cylinder is designed to meet the most demanding retail lighting challenges through sleek and discrete aesthetics while providing a high center beam candlepower and efficacy performance. OmniSpot LED cylinder allows for less than 1" of space between the track head and track in the ceiling.

Fixture

example: LC20930WTECW

Series	Adapters	Lumens	CRI/CCT	Finishes	Dimming	Options
<input type="checkbox"/> LC	<input type="checkbox"/>	<input type="checkbox"/> 20	<input type="checkbox"/>	<input type="checkbox"/>	<input type="checkbox"/> TE	<input type="checkbox"/>
LC OmniSpot LED cylinder	— Lightlier C Capri ¹ H Halo J Juno P Prospec ¹ GT Global TEK	20 2000lm	827 80CRI/2700K 830 80CRI/3000K 835 80CRI/3500K 840 80CRI/4000K 927 90CRI/2700K 930 90CRI/3000K	AL Aluminum ¹ BK Matte Black W Matte White	TE Trailing edge (ELV)	— None (leave blank)
			930 90CRI/3000K	See above finishes	TE Trailing edge (ELV)	CW CrispWhite

Reflector

example: LLAV11RNS

Series	Beam spreads (ordered separately)
<input type="checkbox"/> LLAV11	<input type="checkbox"/>
LLAV11 Reflector for 2000lm	RNS 11° Narrow Spot RS 18° Spot RNF 24° Narrow Flood RF 36° Flood

Accessories²

example: LC20AHAL

Series	Finishes/Types
<input type="checkbox"/>	<input type="checkbox"/>
LC20AH Accessory holder ³ LC20SN Snoot	WH Matte White BK Matte Black AL Aluminum
LC20 Hex cell	HC Matte Black ⁴
LC20 Diffusion film	SY Symmetrical Spread SF Soft Focus LS Linear Spread FR Frosted Etched

1. Prospec and Capri adapters not available with aluminum finish.
2. Aperture ring on the fixture can hold a maximum of 1 film and 1 snoot.
3. Accessory holder can hold a maximum of 1 hex cell, 1 film, and 1 snoot.
4. Hex cell needs to be ordered with an Accessory holder.

Features

1. **LED board:** COB LED.
2. **Integrated housing heat sink:** Impact extrusion aluminum maintains LED junction temperature for min of 50,000 hr lifetime (pending) at 70% lumen maintenance.
3. **Track attachment fitting:** Locking lever for mechanical/electrical connection.
4. **Aperture Ring:** Included with luminaire. Die cast aluminum, powder coated to match other components. Easily threads on and off without use of tools to access reflector and install accessories. Accepts a maximum of 1 film and 1 snoot.
5. **Mounting arm:** Die-cast aluminum.
6. **Movable brass contact:** Brass extends for connection to 2nd circuit (Advent track only).
7. **Pivot mounts:** Allows for 350° horizontal. Vertical rotation of +/- 90° from vertical aim to the floor.
8. **Interchangeable optics:** High efficiency metalized coating providing up to 98% total reflectivity for optimal light quality, beam control and punch. Reflector has lens attached which protects reflector finish and LEDs from contamination. Tool-less installation. Reflector sold separately to allow field replaceability.
10. **Finishes:** Powder coated.

Electrical (electronic power supply)

Input voltage: 120V, 60Hz Input power: 25W
 Efficacy: 82lm/W (nominal) @ 3000K
 High power factor: >0.9 CRI: 80-85 (typical)

Labels

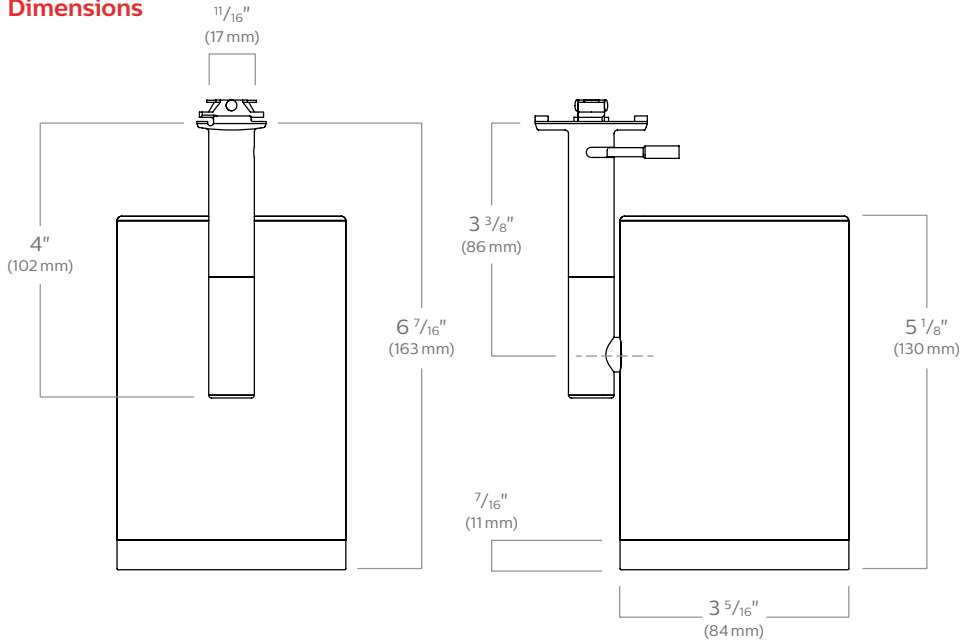
cULus Listed.
 5 year warranty.
 ENERGY STAR[®] certified (except any CrispWhite and accessory usage are not certified).



LC20 OmniSpot LED

Cylinder, 2000 lm (25W)

Dimensions



Dimming

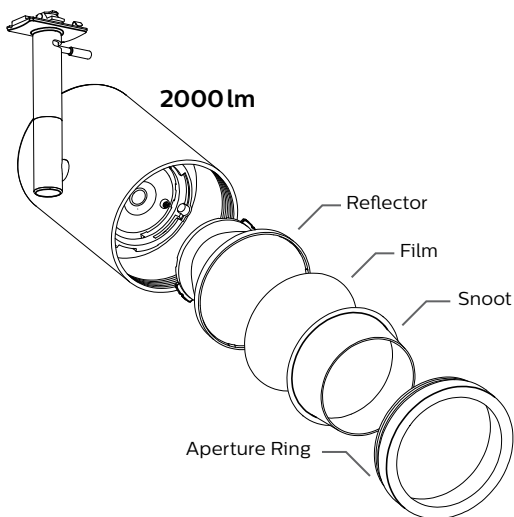
Trailing edge (ELV) dimming compatible
ZP425QE Philips Controls (100 - 6%)
ELV dimming compatible
CTCL-153P Lutron Skylark (100-14%)

Mounting

Compatible with all Monopoint, Multipoint, recessed track, suspension track, as well as Basic, Advent and Radius track systems. Can be wall mounted vertically or horizontally. Cannot be used with extension wands.

	Beam spread (To 50% CBCP)	CBCP	Rated Life (Hrs.)
LLAV11RNS Narrow Spot	11°	29,711	50,000
LLAV11RS Spot	18°	13,093	50,000
LLAV11RNF Narrow Flood	24°	8,345	50,000
LLAV11RF Flood	36°	4,396	50,000

Accessories (ordered separately)



Hex cell louvers LC20HC = 3" dia.



Only available in matte black. Must order the accessory holder to hold the hex cell louver.

Snoot LC20SN = 3" dia



Diffusion/special films LC20 = 3" dia.

- LS** Linear spread film
- FR** Frosted etched film
- SF** Soft focus film
- SY** Symmetrical spread film

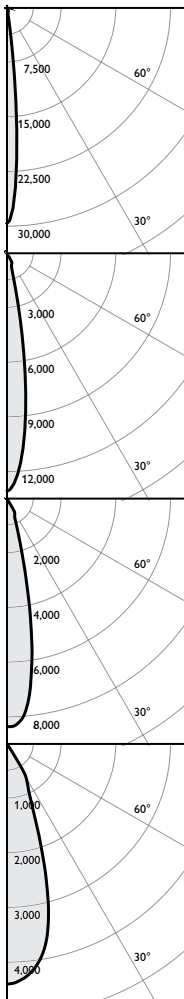
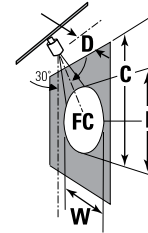
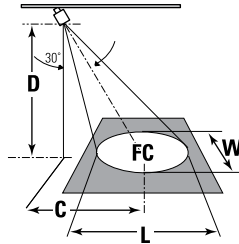
LC20 OmniSpot LED

Cylinder, 2000 lm (25W)

Aiming angles

L and W are the outer points where the candle power drops to 50% of the maximum. FC are the initial footcandles at the center of the beam. Data shown is for 3000K, for 2700K multiply FC by 0.91.

L Beam length
D Distance
W Beam Width
A Aiming Angle
FC Footcandles
C Distance to center beam
CBCP Center Beam Candlepower.



Fixture: LC20830ALTE
Reflector: LLAV11RNS
CCT¹: 3000K
Output lumens: 1967 lms
Input watts²: 23.7 W
Efficacy: 83.0 lm/w
CRI: 80 min
CBCP: 29,711 cd
Beam Angle: 11°
Field Angle: 21°
Report no³: 935GFR

Fixture: LC20830ALTE
Reflector: LLAV11RS
CCT¹: 3000K
Output lumens: 1964 lms
Input watts²: 23.7 W
Efficacy: 82.9 lm/w
CRI: 80 min
CBCP: 13,093 cd
Beam Angle: 18°
Field Angle: 34°
Report no³: 936GFR

Fixture: LC20830ALTE
Reflector: LLAV11RNF
CCT¹: 3000K
Output lumens: 1944 lms
Input watts²: 23.7 W
Efficacy: 82.0 lm/w
CRI: 80 min
CBCP: 8,345 cd
Beam Angle: 24°
Field Angle: 47°
Report no³: 937GFR

Fixture: LC20830ALTE
Reflector: LLAV11RF
CCT¹: 3000K
Output lumens: 1897 lms
Input watts²: 23.7 W
Efficacy: 80.0 lm/w
CRI: 80 min
CBCP: 4,396 cd
Beam Angle: 36°
Field Angle: 65°
Report no³: 938GFR

Narrow Spot 30° Horizontal Aiming

Distance	Beam	
	L	W
6	3.5	1.5
8	4.6	2.1
10	5.8	2.6
12	6.9	3.1

30° Horizontal Aiming

Distance	Beam			
	C	F.C.	L	W
2	3.5	928	1.6	0.8
3	5.2	413	2.4	1.2
4	6.9	232	3.2	1.5
5	8.7	149	4.0	1.9

Spot 30° Horizontal Aiming

Distance	Beam			
	C	F.C.	L	W
6	3.5	236	2.6	2.2
8	4.6	133	3.4	2.9
10	5.8	85	4.3	3.7
12	6.9	59	5.1	4.4

30° Horizontal Aiming

Distance	Beam			
	C	F.C.	L	W
2	3.5	409	2.7	1.3
3	5.2	182	4.1	1.9
4	6.9	102	5.5	2.5
5	8.7	65	6.9	3.2

Narrow Flood 30° Horizontal Aiming

Distance	Beam			
	C	F.C.	L	W
6	3.5	151	3.5	2.9
8	4.6	85	4.6	3.9
10	5.8	54	5.8	4.9
12	6.9	38	6.9	5.9

30° Horizontal Aiming

Distance	Beam			
	C	F.C.	L	W
2	3.5	261	3.9	1.7
3	5.2	116	5.9	2.6
4	6.9	65	7.9	3.4
5	8.7	42	9.8	4.3

Flood 30° Horizontal Aiming

Distance	Beam			
	C	F.C.	L	W
6	3.5	79	5.4	4.5
8	4.6	45	7.2	6.0
10	5.8	29	9.0	7.5
12	6.9	20	10.8	9.0

30° Horizontal Aiming

Distance	Beam			
	C	F.C.	L	W
2	3.5	137	7.6	2.6
3	5.2	61	11.4	3.9
4	6.9	34	15.2	5.2
5	8.7	22	19.0	6.5

1. Correlated Color Temperature within specs as defined in ANSI_NEMA_ANSI C78.377-2008: Specifications for the Chromaticity of Solid State Lighting Products.
2. Wattage controlled to within +/- 5%.
3. Tested using absolute photometry as specified in LM79: IESNA Approved Method for the Electrical and Photometric Measurements of Solid-State Lighting Products.

© 2016 Philips Lighting Holding B.V. All rights reserved.
Philips reserves the right to make changes in specifications and/or to discontinue any product at any time without notice or obligation and will not be liable for any consequences resulting from the use of this publication.
philips.com/luminaires



Philips Lighting North America Corporation
200 Franklin Square Drive, Somerset, NJ 08873
Tel. 855-486-2216

Philips Lighting Canada Ltd.
281 Hillmount Rd, Markham, ON, Canada L6C 2S3
Tel. 800-668-9008