

**PHILIPS
LIGHTOLIER**

Track lighting

OmniSpot LED

LC06, 6W/600lm



Project: _____
 Location: _____
 Cat.No: _____
 Type: _____
 Lamps: _____ Qty: _____
 Notes: _____

OmniSpot LED cylinder is designed to meet the most demanding retail lighting challenges through sleek and discrete aesthetics while providing a high center beam candlepower and efficacy performance. OmniSpot LED cylinder allows for less than 1" of space between the track head and track in the ceiling.

Fixture

example: LC06930WTECW

Series	Adapters	Lumens	CRI/CCT	Finishes	Dimming	Options
<input type="checkbox"/> LC	<input type="checkbox"/>	<input type="checkbox"/> 06	<input type="checkbox"/>	<input type="checkbox"/>	<input type="checkbox"/> TE	<input type="checkbox"/>
LC OmniSpot LED cylinder	— Lightolier C Capri ¹ H Halo J Juno P Prospec ¹ GT Global TEK	06 600lm	827 80CRI/2700K 830 80CRI/3000K 835 80CRI/3500K 840 80CRI/4000K 927 90CRI/2700K 930 90CRI/3000K	AL Aluminum ¹ BK Matte Black W Matte White	TE Trailing edge (ELV)	— None (leave blank)
			930 90CRI/3000K	See above finishes	TE Trailing edge (ELV)	CW CrispWhite

Reflector

example: LLMRNS

Series	Beam spreads (ordered separately)
<input type="checkbox"/> LLM	<input type="checkbox"/>
LLM Reflector for 600lm	RNS 12° Narrow Spot RS 18° Spot RNF 24° Narrow Flood RF 36° Flood

Accessories²

example: LC10AHWH

Series	Finishes/Types
<input type="checkbox"/>	<input type="checkbox"/>
LC10AH Accessory holder ³ LC10SN Snoot	WH Matte White BK Matte Black AL Aluminum
7472 Hex cell (matte black) ⁴	
LC10 Diffusion film	SY Symmetrical Spread SF Soft Focus LS Linear Spread FR Frosted Etched

1. Prospec and Capri adapters not available with aluminum finish.
2. Aperture ring on the fixture can hold a maximum of 1 film and 1 snoot.
3. Accessory holder can hold a maximum of 1 hex cell, 1 film, and 1 snoot.
4. Hex cell needs to be ordered with an Accessory holder.

Features

1. **LED board:** COB LED.
2. **Integrated housing heat sink:** Impact extrusion aluminum maintains LED junction temperature for min of 50,000 hr lifetime (pending) at 70% lumen maintenance.
3. **Track attachment fitting:** Locking lever for mechanical/electrical connection.
4. **Aperture Ring:** Included with luminaire. Die cast aluminum, powder coated to match other components. Easily threads on and off without use of tools to access reflector and install accessories. Accepts a maximum of 1 film and 1 snoot.
5. **Mounting arm:** Die-cast aluminum.
6. **Movable brass contact:** Brass extends for connection to 2nd circuit (Advent track only).
7. **Pivot mounts:** Allows for 350° horizontal. Vertical rotation of +/- 90° from vertical aim to the floor.
8. **Interchangeable optics:** High efficiency metalized coating providing up to 98% total reflectivity for optimal light quality, beam control and punch. Reflector has lens attached which protects reflector finish and LEDs from contamination. Tool-less installation. Reflector sold separately to allow field replaceability.
10. **Finishes:** Powder coated.

Electrical (electronic power supply)

Input voltage: 120V, 60Hz Input power: 6W
 Efficacy: 82lm/W (nominal) @ 3000K
 High power factor: >0.9 CRI: 80-85 (typical)

Labels

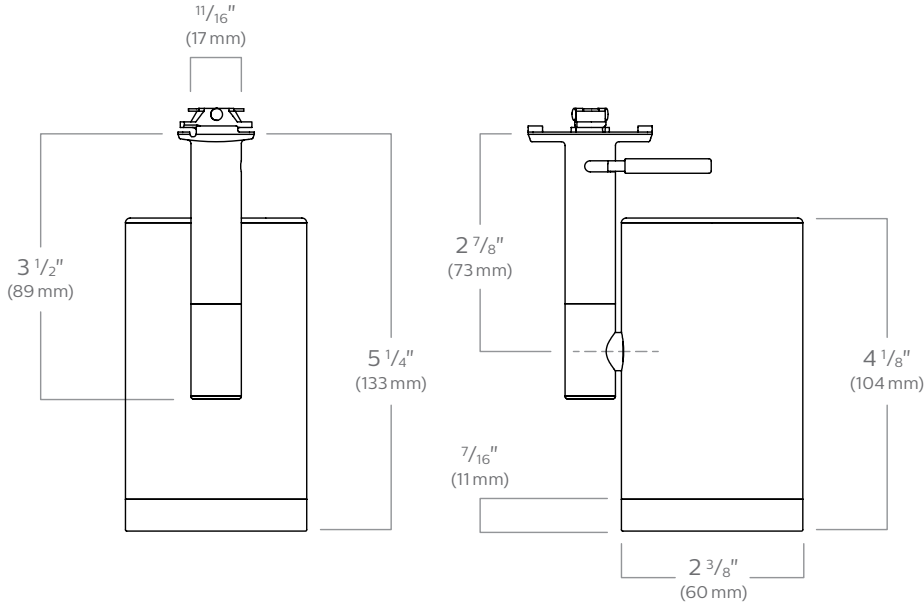
cULus Listed.
 5 year warranty.
 ENERGY STAR[®] certified (except any combinations containing CrispWhite, 80CRI 40K, or accessories are not certified).



LC06 OmniSpot LED

Cylinder, 600 lm (6 W)

Dimensions



Dimming

Trailing edge (ELV) dimming compatible

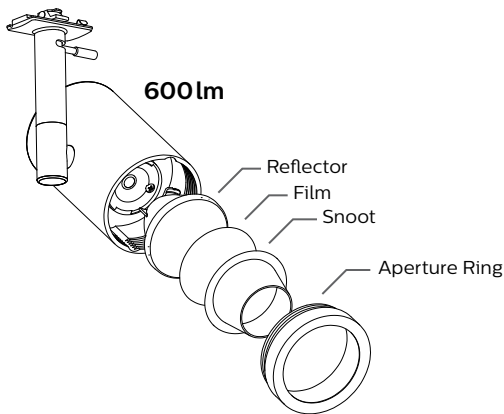
SR400RPC120	Philips Sunrise (100 - 5%)
SELV-300P	Lutron Skylark (100-7%)
DVELV-300P	Lutron Diva (100-7%)
6615-P	Leviton Decora (100-12%)

Mounting

Compatible with all Monopoint, Multipoint, recessed track, suspension track, as well as Basic, Advent and Radius track systems. Can be wall mounted vertically or horizontally. Cannot be used with extension wands.

	Beam spread (To 50% CBCP)	CBCP	Rated Life (Hrs.)
LLMRNS Narrow Spot	12°	8,259	50,000
LLMRS Spot	18°	4,102	50,000
LLMRNF Narrow Flood	24°	2,832	50,000
LLMRF Flood	36°	1,558	50,000

Accessories (ordered separately)



Hex cell louvers
7472 = 2" dia.



Only available in matte black. Must order the accessory holder to hold the hex cell louver.

Snoot
LC10SN = 2" dia.



Diffusion/special films
LC10 = 2" dia.

-  **LS** Linear spread film
-  **FR** Frosted etched film
-  **SF** Soft focus film
-  **SY** Symmetrical spread film

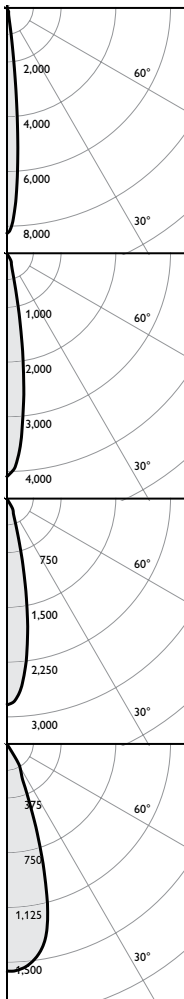
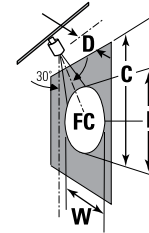
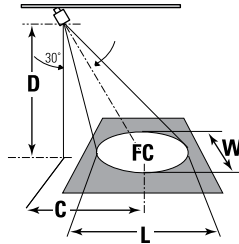
LC06 OmniSpot LED

Cylinder, 600 lm (6 W)

Aiming angles

L and W are the outer points where the candle power drops to 50% of the maximum. FC are the initial footcandles at the center of the beam. Data shown is for 3000K, for 2700K multiply FC by 0.91.

L Beam length
 D Distance
 W Beam Width
 A Aiming Angle
 FC Footcandles
 C Distance to center beam
 CBCP Center Beam Candlepower.



Fixture: LC06830ALTE
Reflector: LLMRNS

CCT¹: 3000K
 Output lumens: 614 lms
 Input watts²: 5.7 W
 Efficacy: 107.7 lm/w
 CRI: 80 min
 CBCP: 8,259 cd
 Beam Angle: 12°
 Field Angle: 23°
 Report no³: 928GFR

Narrow Spot

30° Horizontal Aiming

Distance	Beam				
	D	C	F.C.	L	W
6	3.5	149	1.7	1.5	
8	4.6	84	2.3	1.9	
10	5.8	54	2.8	2.4	
12	6.9	37	3.4	2.9	

30° Horizontal Aiming

Distance	Beam				
	D	C	F.C.	L	W
2	3.5	258	1.7	0.8	
3	5.2	115	2.6	1.3	
4	6.9	65	3.5	1.7	
5	8.7	41	4.3	2.1	

Fixture: LC06830ALTE
Reflector: LLMRS

CCT¹: 3000K
 Output lumens: 616 lms
 Input watts²: 5.7 W
 Efficacy: 108.1 lm/w
 CRI: 80 min
 CBCP: 4,102 cd
 Beam Angle: 18°
 Field Angle: 37°
 Report no³: 927GFR

Spot

30° Horizontal Aiming

Distance	Beam				
	D	C	F.C.	L	W
6	3.5	74	2.6	2.2	
8	4.6	42	3.4	2.9	
10	5.8	27	4.3	3.7	
12	6.9	19	5.1	4.4	

30° Horizontal Aiming

Distance	Beam				
	D	C	F.C.	L	W
2	3.5	128	2.7	1.3	
3	5.2	57	4.1	1.9	
4	6.9	32	5.5	2.5	
5	8.7	21	6.9	3.2	

Fixture: LC06830ALTE
Reflector: LLMRNF

CCT¹: 3000K
 Output lumens: 612 lms
 Input watts²: 5.7 W
 Efficacy: 107.4 lm/w
 CRI: 80 min
 CBCP: 2,832 cd
 Beam Angle: 24°
 Field Angle: 46°
 Report no³: 926GFR

Narrow Flood

30° Horizontal Aiming

Distance	Beam				
	D	C	F.C.	L	W
6	3.5	51	3.3	2.8	
8	4.6	29	4.4	3.8	
10	5.8	18	5.5	4.7	
12	6.9	13	6.6	5.6	

30° Horizontal Aiming

Distance	Beam				
	D	C	F.C.	L	W
2	3.5	89	3.7	1.6	
3	5.2	39	5.6	2.4	
4	6.9	22	7.4	3.3	
5	8.7	14	9.3	4.1	

Fixture: LC06830ALTE
Reflector: LLMRF

CCT¹: 3000K
 Output lumens: 610 lms
 Input watts²: 5.7 W
 Efficacy: 107.0 lm/w
 CRI: 80 min
 CBCP: 1,558 cd
 Beam Angle: 36°
 Field Angle: 61°
 Report no³: 925GFR

Flood

30° Horizontal Aiming

Distance	Beam				
	D	C	F.C.	L	W
6	3.5	28	5.4	4.5	
8	4.6	16	7.2	6.0	
10	5.8	10	9.0	7.5	
12	6.9	7	10.8	9.0	

30° Horizontal Aiming

Distance	Beam				
	D	C	F.C.	L	W
2	3.5	49	7.6	2.6	
3	5.2	22	11.4	3.9	
4	6.9	12	15.2	5.2	
5	8.7	8	19.0	6.5	

1. Correlated Color Temperature within specs as defined in ANSI_NEMA_ANSI C78.377-2008: Specifications for the Chromaticity of Solid State Lighting Products.
 2. Wattage controlled to within +/- 5%.
 3. Tested using absolute photometry as specified in LM79: IESNA Approved Method for the Electrical and Photometric Measurements of Solid-State Lighting Products.

