

PHILIPS
LIGHTOLIER



Track Lighting

OmniSpot family

Track heads and
Recessed multiples

Big on
performance,
small in size

Discrete in any space, allowing for the emphasis on the right things in commercial and retail spaces without sacrificing impact or efficiency.



OmniSpot

Track heads and Recessed multiples



Philips Lightolier OmniSpot LED track luminaires are specifically designed to keep attention focused exactly on designated areas of interest. With a wide range of personalization options, easy installation and compatibility with existing track rails it's never been easier to create a unique experience that distinctly sets you apart from others.

think big,
go small



OmniSpot Track heads

Installation: New construction or retrofit

Compatibility: All Philips Lightolier track systems, most competitive adapters available*

Performance: Up to 30,000 candella at 80 CRI/3000 K for high impact applications

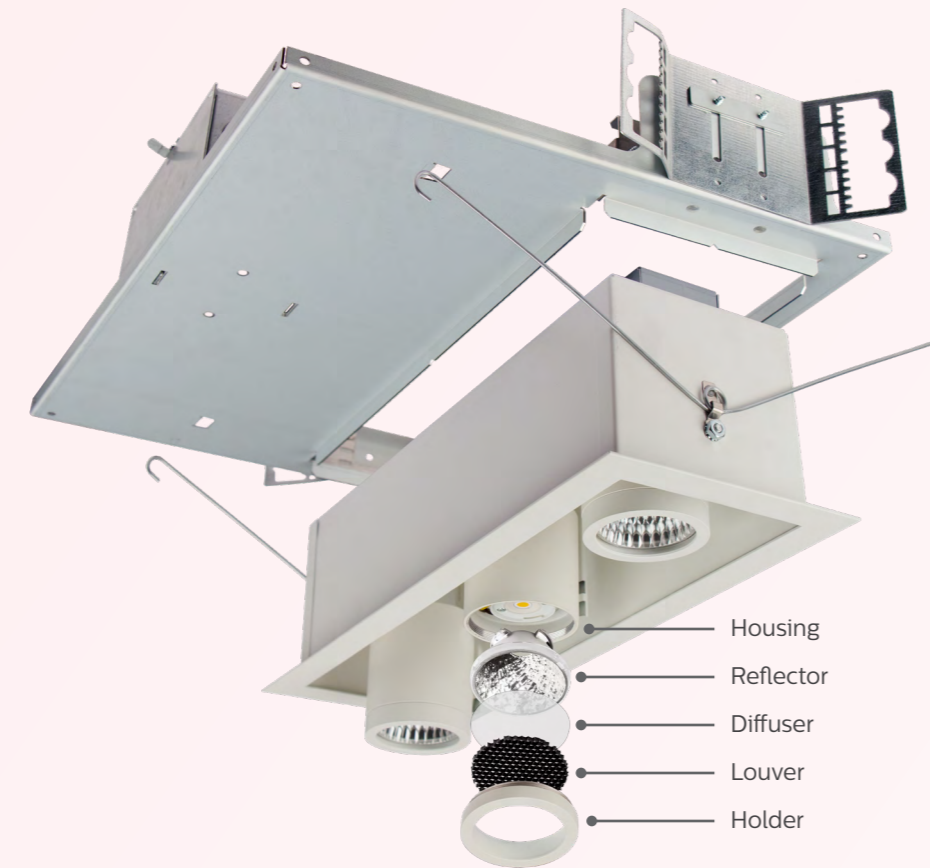
CRIs/CCTs: Multiple color temperatures for excellent color rendering

Low Profile: Industry leading form-factor at less than 1-inch between the track head and the ceiling

* Consult spec sheet catalog matrix for all adapters.



Finishes: Available in Aluminum, Matte White and Matte Black satin painted finishes.



OmniSpot Three-part system

The three-part system is designed to offer easy installation and high performing accent lighting to create contrast within a space.

Recessed multiples utilize the same LED and optical architecture as the track heads. They are also designed to meet the most demanding accent lighting applications: allowing for lighting and aesthetic consistency within any space.

- Housing
- Reflector
- Diffuser
- Louver
- Holder



OmniSpot Recessed multiples

Installations: New construction

Configurations: One, two, three, or four lamp models available

Light Engine: Simple plug-and-play connection between the frame and light engine

CRIs/CCTs: Multiple color temperatures for excellent color rendering

Adjustable: No special equipment or training to adjust head aiming

Beam Spreads: Four beam spreads available for the ultimate in customization



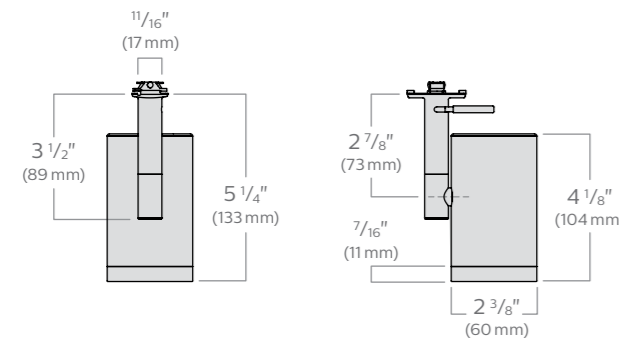
The OmniSpot family can showcase any unique lighting vision.

LC06 & LC10

600lm (6W) & 1000lm (12W)



- Aluminum
- Matte White
- Matte Black

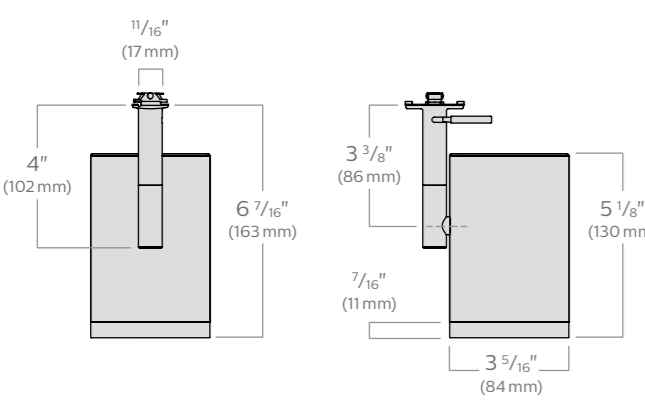


LC20

2000lm (25W)



- Aluminum
- Matte White
- Matte Black

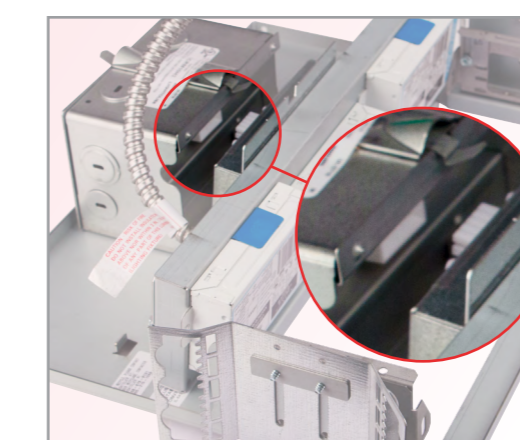


Adjustment/Aiming



OmniSpot LED recessed multiples offer a one of a kind adjustment features designed for ultimate precision, allowing for continuity from fixture to fixture throughout the space. The 3-step pull down feature allows for easy lighting guidelines, creating a clean look currently unseen in the market.

Plug & Play Frame Design

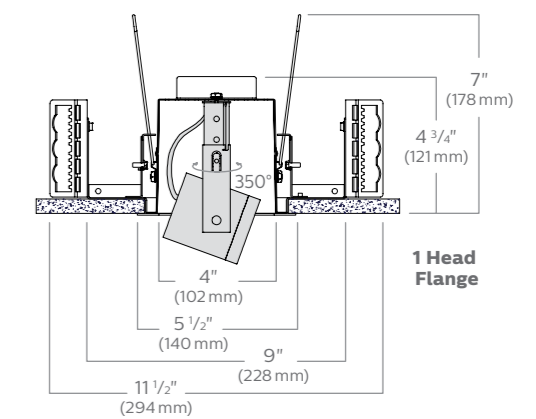


The above frame-in kit design offers a plug-and-play receptacle for quick and easy installation. Philips Lightolier continues a simplified installation process from its downlights into the recessed multiples. The OmniSpot LED frame allows you to get the installation started sooner while providing configurable solutions.

LCRM10H1



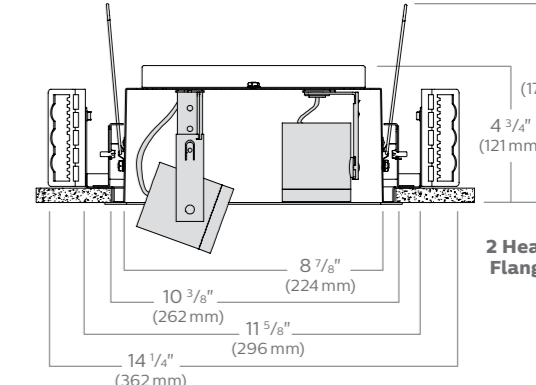
- Matte White
- Matte Black



LCRM10H2



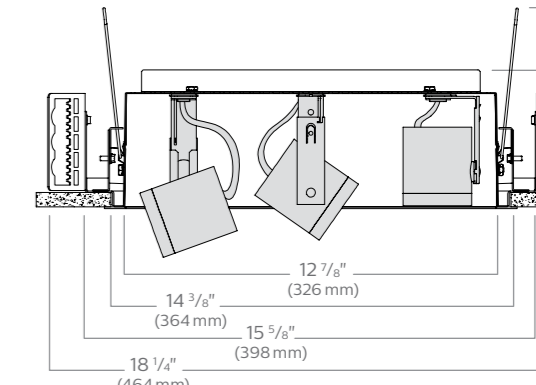
- Matte White
- Matte Black



LCRM10H3



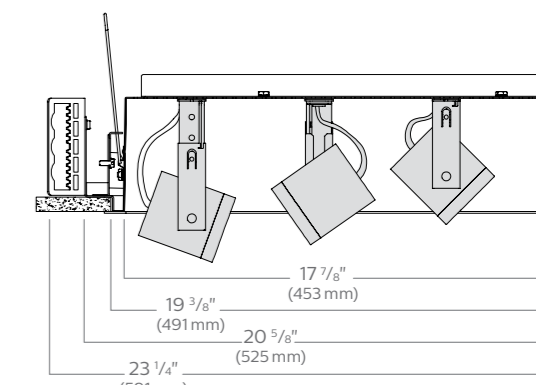
- Matte White
- Matte Black



LCRM10H4



- Matte White
- Matte Black



OmniSpot recessed multiples

600lm (6W) & 1000lm (12W)



© 2018 Philips Lighting Holding B.V. All rights reserved. Philips reserves the right to make changes in specifications and/or to discontinue any product at any time without notice or obligation and will not be liable for any consequences resulting from the use of this publication.

PLi-1811BR 06/18 www.philips.com/luminaires

Philips Lighting
North America Corporation
200 Franklin Square Drive
Somerset, NJ 08873
Tel. 855-486-2216

Philips Lighting Canada Ltd.
281 Hillmount Rd,
Markham, ON,
Canada L6C 2S3
Tel. 800-668-9008