



PHILIPS

Lighttogo

Luminaire



**Real professionals
choose Lighttogo**

philips.com/Lighttogo

**REAL
PROs**
**REAL
QUALITY**

Light to go



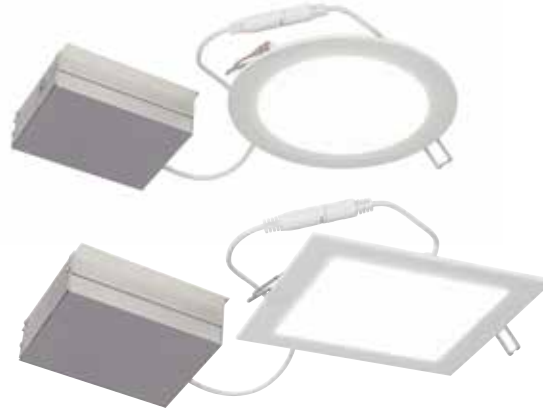
Things just got easier. Introducing our new line up of lighting essentials – quick to order, easy on your wallet and simple to use.

Make your next lighting choice a brand you can trust. **Make it Philips Lighting.**

PHILIPS

Downlighting

Flat downlight



Lean, mean, lighting machine

Philips Catalog Code	Size/Shape	Lumens	Color Temp	Dimming	Replaces
FDL4R07930TE1W	4" round	700	3000K	ELV/TRIAC	50W PAR20
FDL4S07930TE1W	4" square				50W PAR20
FDL6R09930TE1W	6" round	900			65W PAR30
FDL6S09930TE1W	6" square				65W PAR30
Accessories					
FDLRN		Round new construction plate			
FDLSN		Square new construction plate			
FDL06C		6ft extension cable			
FDL20C		20ft extension cable			

The **Philips LED Flat downlight** measures only 1/2" in depth, allowing for easy installation without concern for ceiling plenum space.

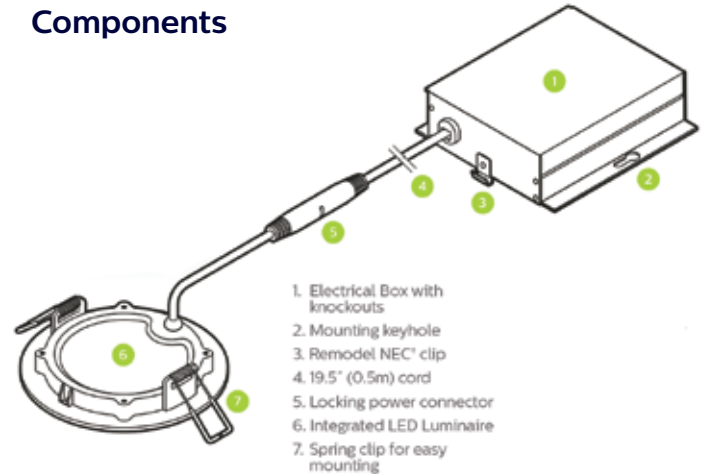


Why choose the Philips LED Flat downlight?

- Quick and easy installation without frame or reflector.
- 1" depth, low profile for non-intrusive install.
- Dimmable to 10%.
- Lifetime >50,000 hours (L70).
- IC-rated for direct contact with insulation.
- UL1598 wet location rated.

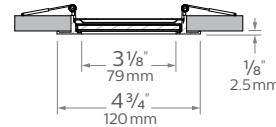


Components

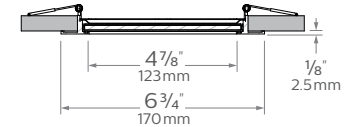


National Electric Code

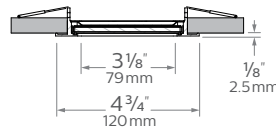
Dimensions



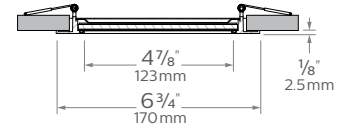
Flat Downlight 4"



Flat Downlight 6"



Flat Downlight 4"



Flat Downlight 6"

PHILIPS

Downlighting

Mini gimbal
Mini downlight



Accent with accuracy, install with ease

Philips Catalog Code	Size/Shape	Lumens	Color Temp	Voltage	Replaces
PMD3R069301FW	3" round	550	3000K	120V	50W MR16
PMG3R06930NF1W					50W MR16
Accessories					
PMDRN	Round new construction plate				
PMD06C	6ft extension cable				
PMD20C	20ft extension cable				

The **Philips LED Mini downlight & Mini gimbal** let you emphasize without the size. Easy-install fixtures with a detachable junction box.

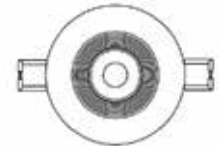
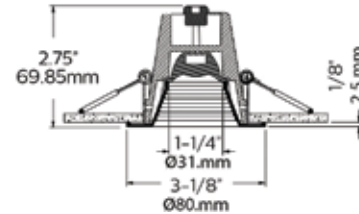


Why choose Mini downlight & Mini gimbal?

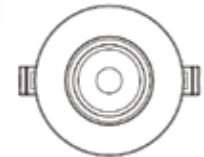
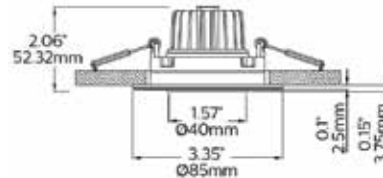
- Quick and easy installation without frame or reflector.
- 1" depth, low profile for non-intrusive install.
- Dimmable to 10%.
- Lifetime >50,000 hours (L70).
- IC-rated for direct contact with insulation.
- 5 year limited warranty.

Dimensions

Mini Downlight



Mini Gimbal



PHILIPS

Downlighting

Surface mount



The shallow ceiling
problem solver

Philips Catalog Code	Size	Lumens	Color Temp	Dimming	Replaces
PSD5R079301W	5"	700	3000K	ELV/TRIAC	65W PAR30
PSD7R099301W	7"	1000			75W PAR38

The **Philips LED Surface mount** is ideal when you are faced with a challenging ceiling, but you still want a good-looking downlight.

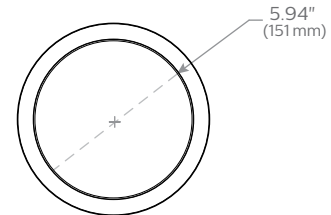
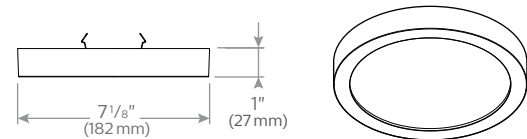
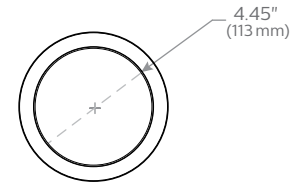
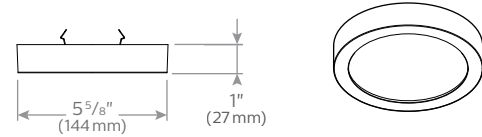


Why choose the Philips LED Surface mount?

- Easy to install on standard junction boxes.
- Surface mount downlight solves the problem of limited plenum space.
- Glare controlling lens for comfortable light distribution.
- Affordable alternative to Air-Seal IC recessed housings.
- Support wire attached for easy installation.
- Energy Star and Title 24 listed.



Dimensions



PHILIPS

Downlighting

Commercial retrofit downlight



Bright,
brighter,
brightest...
it's **your**
choice

Philips Catalog Code	Size	Lumens	Color Temp	Voltage	Replaces		
PCR4R10927UW	4"	500/750/1000lm	2700K	120/277V	2x18W CFL		
PCR4R10930UW			3000K				
PCR4R10935UW			3500K				
PCR4R10940UW			4000K				
PCR6R15927UW	6"	700/1000/1500lm	2700K		120/277V	2x26W CFL	
PCR6R15930UW			3000K				
PCR6R15935UW			3500K				
PCR6R15940UW			4000K				
PCR8R23927UW	8"	1000/1500/2300lm	2700K			120/277V	2x32W CFL
PCR8R23930UW			3000K				
PCR8R23935UW			3500K				
PCR8R23940UW			4000K				
PCR10R30927UW	9.5"	1500/2000/3200lm	2700K	120/277V			2x38W CFL
PCR10R30930UW			3000K				
PCR10R30935UW			3500K				
PCR10R30940UW			4000K				

The Philips LED Commercial retrofit downlight with its adjustable lumen output switch, will reduce onsite time and headaches for busy installers.



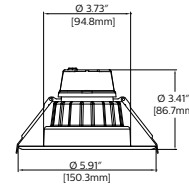
Why choose the Commercial retrofit downlight?

- Adjustable lumen output switch allows you to make choices while you install or afterward
- Great for different ceiling heights and different light level needs
- Sturdy metal clips provide a solid fit and easy installation
- Out-of-the-box pre-wired with flexible metal conduit and easy-twist quick connector
- 50,000 hour rated life (L70)

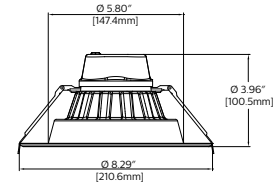


Dimensions

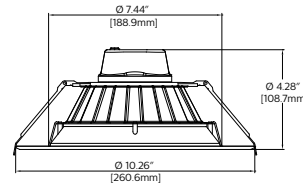
4" Round



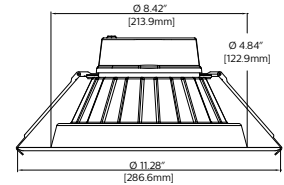
6" Round



8" Round



9.5" Round



PHILIPS

Downlighting

Retrofit downlight



An LED retrofit as **easy as snap & click**

Philips Catalog Code	Size	Lumens	Color Temp	Dimming	Replaces
PRD4R089301W	4"	900	3000K	ELV/TRIAC	50W PAR20
PRD5R129301W	5/6"	1400			65W PAR30

Philips LED Retrofit downlight is so hassle-free to install, it will save you plenty of time and frustration on the job site. You may not even need to open your toolbox.

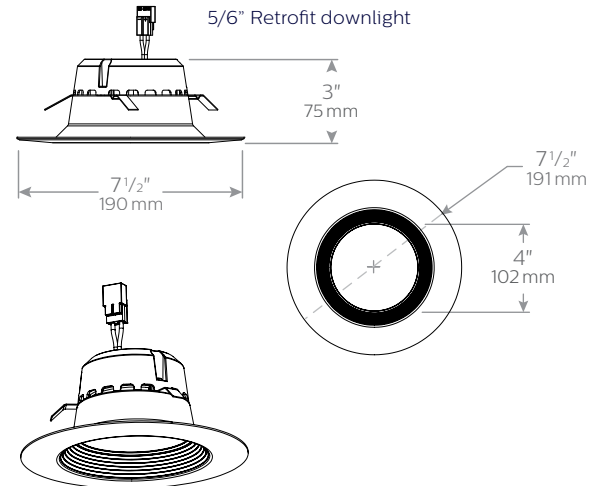
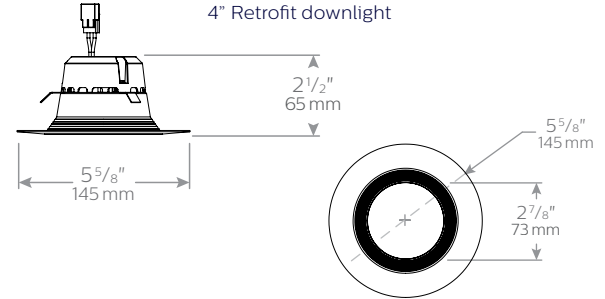


Why choose the Philips LED Retrofit downlight?

- Utilizes existing frames to make replacing old downlighting and upgrading to LED, a truly easy task.
- Flexible springs allow for installation without tools.
- Quick-connect plug and medium-based socket adapter means no extra accessories to purchase.
- Contemporary and discreet, white baffle trim design.
- Uniform LED light with glare-reduction filter, means a more comfortable space.



Dimensions



PHILIPS

Industrial

Sealed high bay



Modern
design +
energy-
savings

Philips Catalog Code	Lumens	Color Temp	Voltage	Replaces
PHCX15L840-UNV-DIM	15,000	4000K	120-277V	6xF32T8 or 400W HID
PHCX22L840-UNV-DIM	22,000		120-277V	8xF32T8 or 400W HID

Functional high bay lighting has a new look with **Philips LED Sealed high bay** luminaires. No more sacrifices, just great looks, dependability and energy savings.

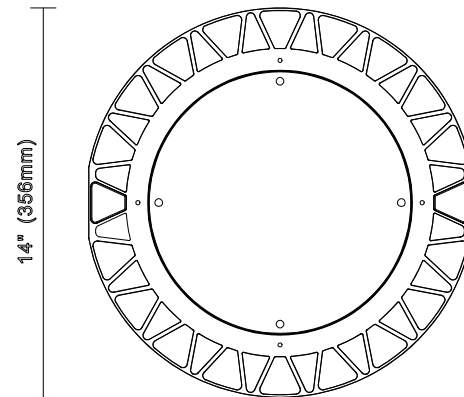
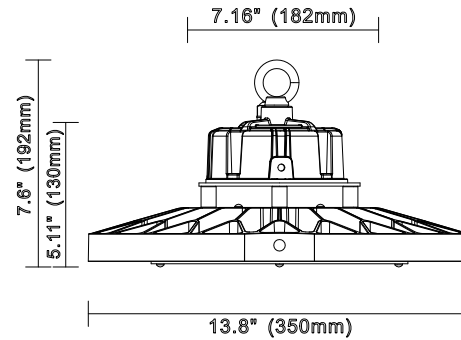


Why choose the Philips LED Sealed high bay?

- Corrosion resistant black finish.
- Heavy duty eyelet provided for connection to customer-supplied suspension.
- Lumen maintenance up to 70% (L70) at 50,000 hours.
- Exposed leads for wiring connection with sleeving for environmental protection.
- cULus listed for use in wet locations up to 40C ambient.
- Components are RoHS compliant and IP65 rated.



Dimensions



PHILIPS

Industrial

Value high bay



Update &
upgrade
**for real
savings**

Philips Catalog Code	Lumens	Color Temp	Voltage	Replaces
PFCX15L840-UNV-DIM	15,000	4000K	120-277V	6xF32T8 or 400W HID
PFCX22L840-UNV-DIM	22,000		120-277V	8xF32T8 or 400W HID

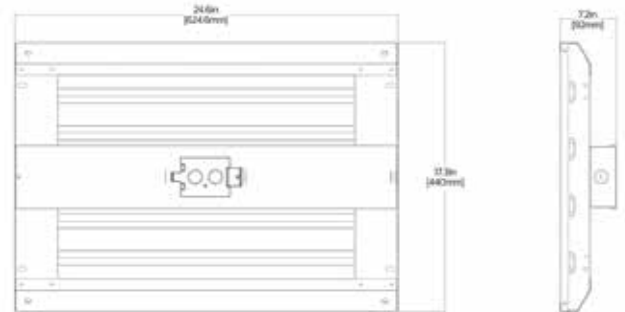
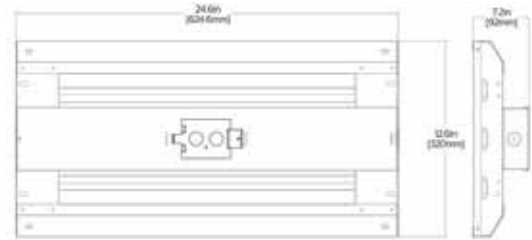
With its low profile and durable design, you might overlook the efficiency and great price, but take a second look. The **Philips LED Value high bay** luminaire has it all.



Why choose the Philips LED Value high bay?

- Die formed sheet metal housing and end plates.
- Corrosion resistant gloss white paint after fabrication finish.
- V-hooks and 48" chains supplied (set of 2) for installation.
- Lumen maintenance up to 70% (L70) at 50,000 hours.
- Access plate located on top of housing for easy wiring.
- cULus listed for use in damp locations up to 40C ambient.
- Components are RoHS compliant & DesignLights Consortium qualified.

Dimensions



PHILIPS

Industrial

High bay



Compact & economical
with the
latest
technology

Philips Catalog Code	Size	Lumens	Color Temp	Dimming	Replaces
PFBX16LL40-UNV	2' x 2'	16,000	4000K	0-10V	6xF32T8 or 400W HID
PFBX16LL50-UNV			5000K		
PFBX24LL40-UNV	2' x 2'	24,000	4000K	0-10V	8xF32T8 or 400W HID
PFBX24LL50-UNV			5000K		
PFBX CHAIN KIT, PFBX-GRIP10, PFBX-GRIP5, PFBX-PENHGR, PWG-FBX-2W	High bay mounting accessories (54" chains, 10' cable, 5' cable, pendant hanger & wire guard)				

Philips LED High bay
industrial luminaires save
energy without straining
your project budget or
sacrificing light output.

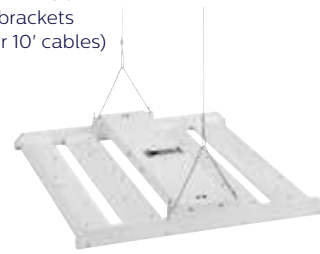


Why choose the Philips LED High bay?

- Versatile fixture ideal for a variety of spaces including warehouses, big box retail and school gymnasiums.
- 16,000 & 24,000 lumen versions available.
- Both versions are serious energy savers with efficacy up to 138 lumens per watt.
- Simple installation.
- Dimming is standard.
- DLC listed.

Mounting options

CABLE MOUNT
& V brackets
(5' or 10' cables)



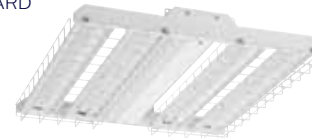
PENDANT hanger
(adds 3" to height)

CHAIN KIT
54" chains
& V brackets



Accessories

WIRE GUARD



PHILIPS

Linear

Strip, wraparound
& industrial



Real
convenience
for your
operation's
success

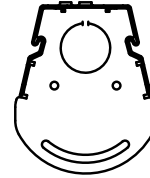
Philips Catalog Code	Size	Lumens	Color Temp	Dimming	Replaces
PFSSEZ440L830-UNV (Strip)	4'	4000	3000K	N/A	2xF32T8
PFSSEZ440L840-UNV (Strip)			4000K		2xF32T8
PFSWEZ440L830-UNV (Wraparound)	4'	4000	3000K	N/A	2xF32T8
PFSWEZ440L840-UNV (Wraparound)			4000K		2xF32T8
PFSI455L840-UNV-DIM (Industrial)	4'	5500	4000	0-10V	3xF32T8
PFSI8110L840-UNV-DIM (Industrial)	8'	11000	4000	0-10V	6xF32T8

Tough and dependable, the **Philips LED Linear** family includes strip, industrial and wraparound luminaires for ease of handling and flexibility.



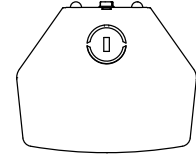
Why choose these Philips Linear luminaires?

- Tough and dependable, the Philips LED Linear family includes strip, industrial and wraparound luminaires.
- Efficacy up to 131 lumens per watt.
- Simple installation.
- Before, during and after installation, you can trust them to help you quickly complete projects without hassles or troubleshooting, while delivering consistent comfort and long-term energy savings.



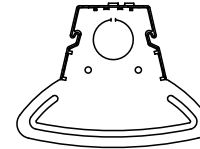
PFSSEZ: Linear strip

- Efficacy: 114 lm/W
- 4ft lengths
- Lumen output: 4000lm*
- Color temperatures: 3000K or 4000K



PFSWEZ: Linear wraparound

- Efficacy: 109 lm/W
- 4ft length
- Lumen output: 4000lm*
- Color temperatures: 3000K or 4000K



PFSI: Linear industrial

- Efficacy: 131 lm/W
- 4ft & 8ft lengths
- Lumen outputs: 5500 or 11,000lm*
- Color temperature: 4000K
- 0-10V 1% dimming

*Nominal delivered lumen output at 25°C ambient.

PHILIPS

Linear

Sealed Strip



**Rugged
reliability**
for efficient
environments

Philips Catalog Code	Size	Lumens	Color Temp	Voltage	Replaces
PVTC436L840-UNV	4'	3600	4000K	120-277V	1xF32T8

Philips LED Sealed strip will work hard and long to give you the durability you are looking for in challenging locations.

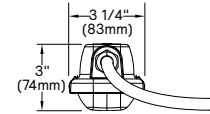


Why choose the Philips Sealed strip?

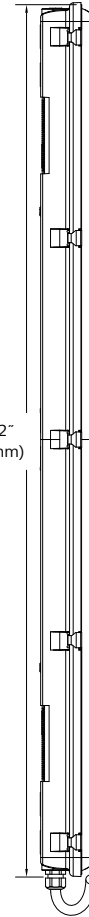
- Grey one piece, molded polycarbonate body. No rusting, no oxidation, and no corrosion.
- Standard lens is frosted.
- Gasket provides tight seal between plastic lens and housing.
- Stainless steel latches are standard.
- Hanging V hooks included (set of 2).
- cULus listed to meet UL 1598 standards for -10C to 40C ambient. Suitable for wet locations.



Dimensions



46 1/2"
(1180mm)



PHILIPS

Linear

Wide Strip



Convenient
lighting
solution,
real value

Philips Catalog Code	Size	Lumens	Color Temp	Voltage	Replaces
PSCD220L840-UNV	2'	2000	4000K	120-277V	1xF17T8
PSCD428L840-UNV	4'	2800	4000K	120-277V	1xF32T8
PSCD450L840-UNV	4'	5000	4000K	120-277V	2xF32T8

Choose the **Philips LED Wide strip** to make your project run smoothly and keep your budget on track.

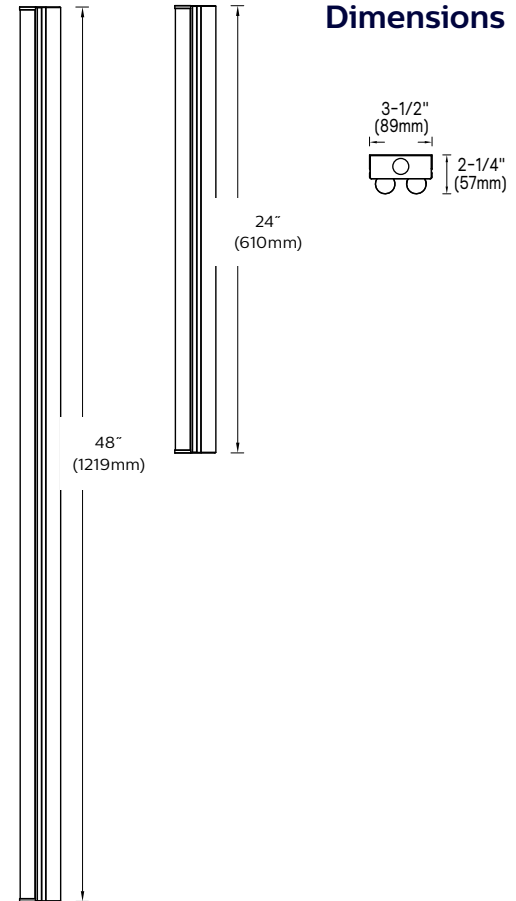


Why choose the Philips Wide strip?

- White painted metal housing for durability.
- Frosted acrylic lens for even, low glare lighting.
- Hardware for surface mounting included.
- Easy hanging installation with holes provided in housing.
- cULus listed to meet UL 1598 standards for -10C to 35C ambient.
- Suitable for damp locations.
- 5 Year Limited Warranty.



Dimensions



PHILIPS

Recessed

Flat panel



A good deal more than quality & long life

Philips Catalog Code	Size	Lumens	Color Temp	Dimming	Replaces
P2FXP38B835-2-DS-UNV-DIM	2x2'	3800	3500K	0-10V	2xF17T8
P2FXP38B840-2-DS-UNV-DIM			4000K		2xF17T8
P2FXP42B835-4-DS-UNV-DIM	2x4'	4200	3500K	0-10V	2xF32T8
P2FXP42B840-4-DS-UNV-DIM			4000K		2xF32T8

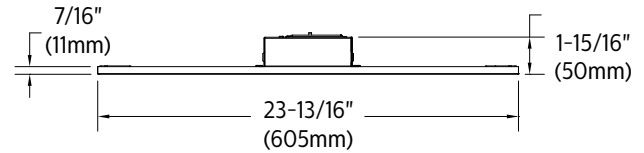
Philips Flat panel LED sets the stage for quality, affordability and longevity. Each low profile, dimmable luminaire will give you the peace of mind and reliability of lasting performance.



Why choose the Philips Flat panel LED?

- Help bolster wellbeing and productivity without worrying about flicker and other undesired effects.
- Immerse users in comfortable, welcoming spaces that are free of glare with color that remains consistent throughout the space and over time.
- Protect both the integrity of electrical equipment and overall building efficiency from the effects of total harmonic distortion.
- Well-suited for office, healthcare and educational facilities.

Dimensions



Philips drivers provide reliable performance for peace of mind.



PHILIPS

Recessed

Recessed troffer



Clear cut
progress,
**lasting &
consistent**

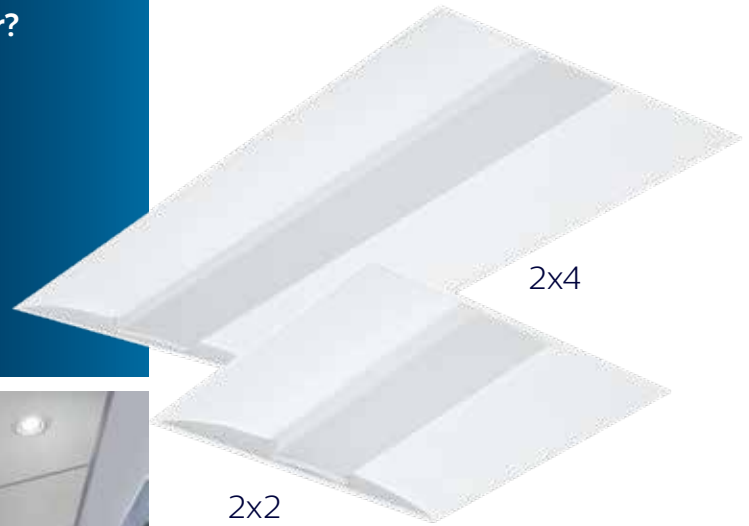
Philips Catalog Code	Size	Lumens	Color Temp	Dimming	Replaces
P2FGG38B835-2-D-UNV-DIM	2' x 2'	3800	3500K	0-10V	2xF17T8
P2FGG38B840-2-D-UNV-DIM			4000K		2xF17T8
P2FGG42B835-4-D-UNV-DIM	2' x 4'	4200	3500K	0-10V	2xF32T8
P2FGG42B840-4-D-UNV-DIM			4000K		2xF32T8

The **Philips LED Recessed troffer** is the ideal solution for functional, efficient, and environmentally friendly illumination throughout the space.

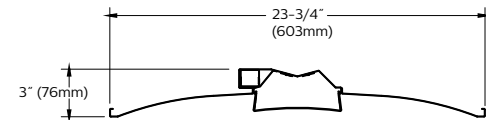


Why choose the Philips LED Recessed troffer?

- Discretely designed to blend seamlessly into your space.
- Access to LED boards and drivers from below the ceiling increases maintenance convenience.
- Diffused ribbed lens creates soft, even illumination.
- Choose from 3500 or 4000K color temperatures.



Dimensions



PHILIPS

Exit & Emergency

Emergency unit
Exit combo
Exit sign



Flexibility, value & peace of mind

Philips Catalog Code	Letter Color	Finish	Operation	
PVERWEM (Exit Sign)	Red	White	Emergency (Nicaid Battery)	
PVEGWEM (Exit Sign)	Green	White	Emergency (Nicaid Battery)	
Philips Catalog Code	Voltage	Finish	# LED Lamps	Remote
PVLLCR2R (Red Letter Exit Combo)	3.6V	White	2 - 1W	2-1W or 1-2W Head
PVLLCG2R (Green Letter Exit Combo)	3.6V	White	2 - 1W	2-1W or 1-2W Head
PVLLU (Emergency Unit)	3.6V	White	2 - 1W	None
PVLL1R (Remote Lamp Head)	3.6V	White	1 - 1W	Indoor
PVLL2R (Remote Lamp Head)	3.6V	White	2 - 1W	Indoor
PVLL1RGO (Remote Lamp Head)	3.6, 6, 9.6 or 12V	Gray	1 - 1W	Outdoor
PVLL2RGO (Remote Lamp Head)	3.6, 6, 9.6 or 12V	Gray	2 - 1W	Outdoor

The Philips LED Exit and Emergency

Light to go products feature low profile designs and great value.

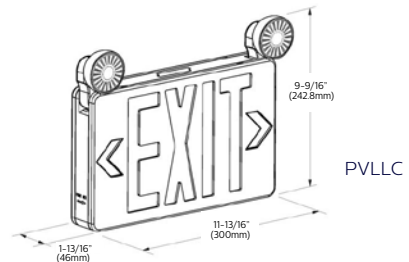
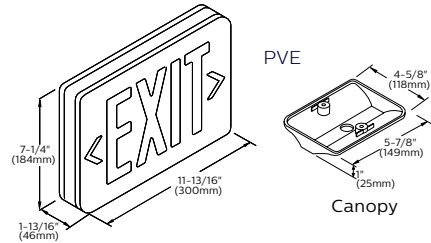
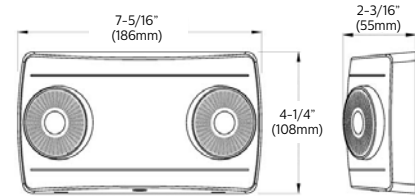


Why choose Philips Exit & Emergency products?

- A complete family of dependable products to make buying, ordering & installation for large projects easier.
- Exit signs run off a long-life, 6 volt maintenance-free battery.
- All 3 versions can mount on wall or ceiling.
- Emergency unit and Exit combo can be used for indoor or covered outdoor spaces.
- Units and combos also contain a manual test switch with LED light indicator and supply emergency illumination for at least 90 minutes.



Dimensions



PHILIPS

Site & Area

Area light



Enhancing a sense of security for the long haul

Philips Catalog Code	Wattage	Color Temp	Distribution	Lumens	Replaces HID
PAL-100-NW-G1-AR-3-8-BZ	100W	4000K	Type 3	12,329	250W PSMH
PAL-100-NW-G1-AR-4-8-BZ			Type 4	12,192	
PAL-100-NW-G1-AR-5-8-BZ			Type 5	13,153	
PAL-100-NW-G1-AR-3-8-IMRI-BZ			Type 3	12,329	
PAL-100-NW-G1-AR-4-8-IMRI-BZ			Type 4	12,192	
PAL-150-NW-G1-AR-3-8-BZ	150W	4000K	Type 3	18,585	400W PSMH
PAL-150-NW-G1-AR-4-8-BZ			Type 4	18,324	
PAL-150-NW-G1-AR-5-8-BZ			Type 5	19,018	
PAL-150-NW-G1-AR-3-8-IMRI-BZ			Type 3	18,585	
PAL-150-NW-G1-AR-4-8-IMRI-BZ			Type 4	18,324	
PAL-200-NW-G1-AR-3-8-BZ	200W	4000K	Type 3	24,382	400W PSMH
PAL-200-NW-G1-AR-4-8-BZ			Type 4	24,109	
PAL-200-NW-G1-AR-5-8-BZ			Type 5	26,010	
PAL-200-NW-G1-AR-3-8-IMRI-BZ			Type 3	24,382	
PAL-200-NW-G1-AR-4-8-IMRI-BZ			Type 4	24,109	

The **Philips LED Area light** features energy-saving technology ideal for pole mounted lighting applications. Ideal for parking lots, security lighting, and general purpose area lighting.

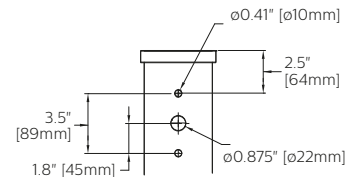
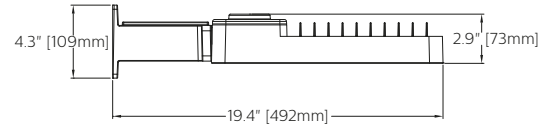
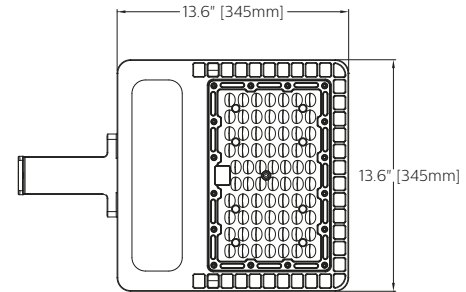


Why choose the Philips LED Area light?

- Budget-friendly, high quality area lighting for parking and outdoor spaces.
- LED technology will save up to 68% energy over HID.*
- Mounts standard to round or square pole.
- Durable aluminum construction.
- Lifetime >54,000 hours.**
- 5 year limited warranty.



Dimensions



POLE DRILL TEMPLATE

*Based on comparison between 250W PSMH (at 295W) and AL-150-NW-G1 at 147W.

**Predicted performance derived from LED manufacturer's data and engineering design estimates, based on IESNA LM-80 methodology.

PHILIPS

Floodlights

Slim flood



Illuminate with discreet & modern style

Philips Catalog Code	Watts	Color Temp	Lumens	Mounting	Replaces
PTF10-NW-G1-K-FL-8-BZ	10W	4000K	1089	Knuckle Mount 1/2" NPS male	50W HID
PTF30-NW-G1-K-FL-8-BZ	30W	4000K	3256	Knuckle Mount 1/2" NPS male	100W HID
PTF50-NW-G1-K-FL-8-BZ	50W	4000K	5484	Knuckle Mount 1/2" NPS male	150W HID
PTF100-NW-G1-Y-FL-8-BZ	100W	4000K	12,439	Yoke Mount	250W HID
PTF150-NW-G1-Y-FL-8-BZ	150W	4000K	18,682	Yoke Mount	400W HID
PTF200-NW-G1-Y-FL-8-BZ	200W	4000K	24,987	Yoke Mount	400W HID

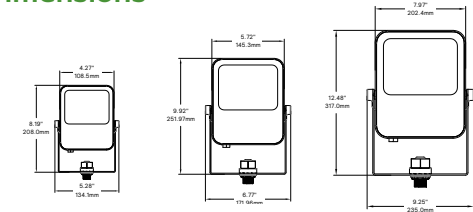
The **Philips LED Slim flood family** is your best value for discreet & modern design on your floodlighting projects.



Why choose the Philips LED Slim flood?

- Complete family of LED floodlights ideal for illuminating signs, building facades or other dark areas.
- Can be mounted on the ground, wall, or pole-mounted.
- All sizes arrive fully assembled and ready to install.
- Fade-resistant, textured bronze finish with tempered glass lens that is heat and impact resistant.
- IP66 rated, 5 year limited warranty.

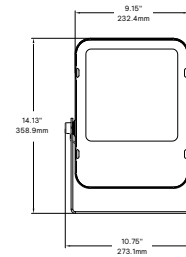
Dimensions



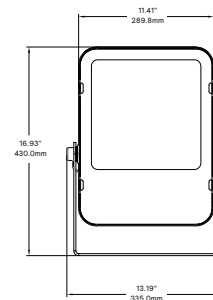
PTF10 Front

PTF30 Front

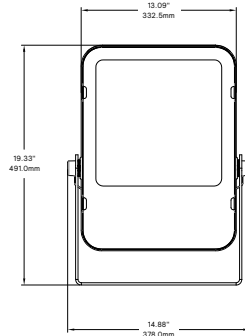
PTF50 Front



PTF100 Front



PTF150 Front



PTF200 Front



PHILIPS

Floodlights

General purpose floods



Versatile & stylish

for a wide
range of
applications

Philips Catalog Code	Watts	Color Temp	Lumens	Mounting	Replaces
PFL20-NW-G1-K-FL-8-BZ*	20W	4000K	2122	Knuckle Mount 1/2" NPS male	70W PSMH
PFL40-NW-G1-K-FL-8-BZ*	39W	4000K	4433	Knuckle Mount 1/2" NPS male	150W PSMH
PFL80-NW-G1-T-FL-8-BZ*	79W	4000K	8856	Trunnion	250W PSMH
PFL80-NW-G1-S-FL-8-BZ	79W	4000K	8856	Slip Fitter	250W PSMH
PFL150-NW-G1-T-FL-8-BZ*	146W	4000K	16,325	Trunnion	400W PSMH
PFL150-NW-G1-S-FL-8-BZ	146W	4000K	16,325	Slip Fitter	400W PSMH
PFL200-NW-G1-T-FL-8-BZ	197W	4000K	24,254	Trunnion	400W PSMH
PFL200-NW-G1-S-FL-8-BZ	197W	4000K	24,254	Slip Fitter	400W PSMH
PFL300-NW-G1-T-FL-8-BZ	301W	4000K	34,025	Trunnion	750W PSMH
PFL300-NW-G1-S-FL-8-BZ	301W	4000K	34,025	Slip Fitter	750W PSMH

The **Philips LED General purpose floodlights** offer energy saving LED technology for long life and reduced maintenance. Energy savings don't get better than this.

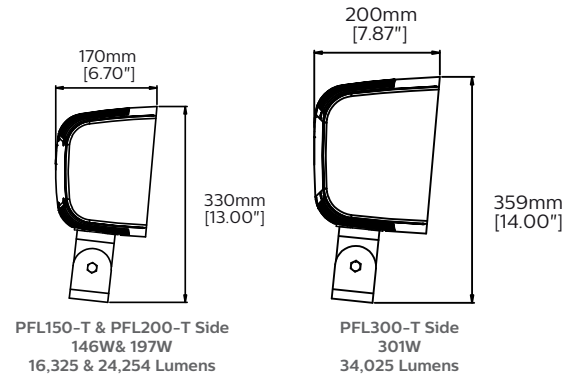
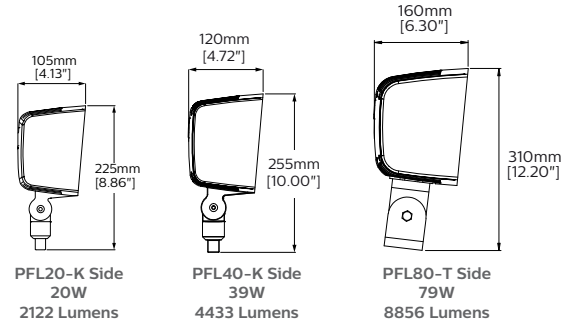


*Also available with button photocell (PCB) option.

Why choose the Philips LED General purpose floodlight?

- Complete family of LED floodlights ideal for illuminating signs, building facades or other dark areas.
- Can be mounted on the ground, wall, or pole-mounted.
- All sizes arrive fully assembled and ready to install.
- Fade-resistant, textured bronze finish with tempered glass lens that is heat and impact resistant.
- IP66 rated, 5 year limited warranty.

Dimensions



PHILIPS

Site & Area

Dusk to Dawn



**Brighten
spaces
evenly,
without
glare**

Philips Catalog Code	Wattage	Color Temp	Voltage	Lumens	Replaces
PDTD40NWG3AR5TLRPC1GY3S	40W	4000K	120V	4973	100W MH

Accessories (order separately) · PDTDARMGY3S – Mounting arm with hardware

The **Philips Dusk to Dawn** is only on when you need it. A great performing LED light for general purpose areas that fits your budget.

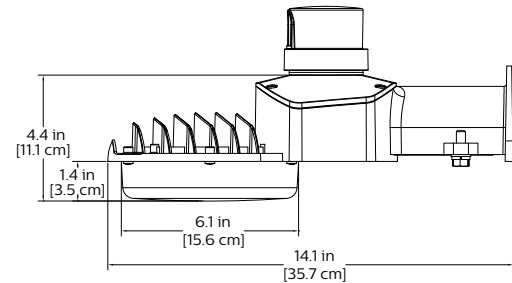


Why choose the Philips LED Dusk to Dawn?

- Excellent choice for general areas, where lighting can enhance security.
- Provides up to 70% energy savings over HID.*
- Refracted lens design spreads light evenly and significantly reduces glare.
- Direct mount or arm mount.
- Sturdy, fade and abrasion resistant, built of a one-piece die-cast aluminum housing.

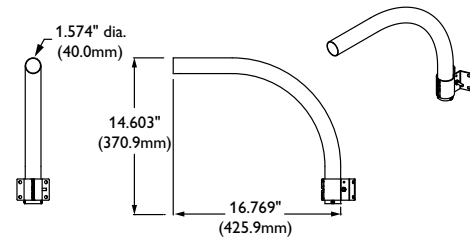


Dimensions



Approximate luminaire weight (less arm) – 3.7lbs (1.7kg)

PDTDARMGY3S – Arm accessory (order separately)



*DTDLED rated 39 input watts is 70% less versus metal halide systems rated 129 input watts.

PHILIPS

Garage
& Canopy



**Compact
& efficient,
built to last**

Philips Catalog Code	Wattage	Color Temp	Distribution	Lumens	Replaces HID
PGC20-NW-G1-SM-5-8-BZ	19W	4000K	Type 5	2013	50W PSMH
PGC40-NW-G1-SM-5-8-BZ	37W	4000K	Type 5	4735	70W PSMH
PGC57-NW-G1-SM-5-8-BZ	57W	4000K	Type 5	6322	100W PSMH
PGC88-NW-G1-SM-5-8-BZ	88W	4000K	Type 5	10,490	150W PSMH

The **Philips LED Garage and Canopy** light is slim and durable with a light-weight design, and provides you with a visually appealing lighting experience.

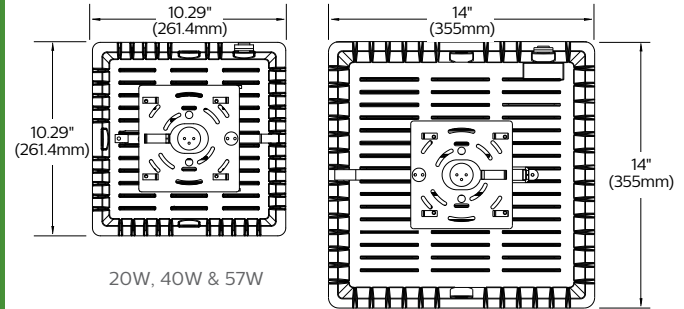


Why choose the Philips LED Garage & Canopy?

- Cost-effective and efficient lighting for parking garages, covered walkways and canopies.
- Slim and compact design.
- Durable, weather-tight IP66 rated construction with a rugged, UV stabilized, frosted lens.
- Easy to install with the integral quick-mount plate, or pendant mount with 3/4" rigid conduit.
- 5 year limited warranty.

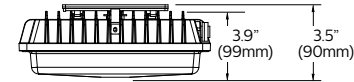


Dimensions

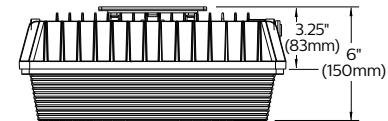


20W, 40W & 57W

88W



20W, 40W & 57W



88W

Approximate Luminaire Weight

20W, 40W & 57W: 5.1 lbs (2.31 Kg)

88W: 8.2 lbs (3.72 Kg)

PHILIPS

Special Purpose

Vaportight



Small
but
mighty

Philips Catalog Code	Wattage	Color Temp	Lumens	Mounting	Replaces
PVCXL-14-NW-G1-8	14W	4000	1390	Ceiling	100W INC
PVWXL-14-NW-G1-8				Wall	

End your search for durable lighting that will really last, choose the Philips Vaportight LED. The mighty little light with long lasting shine.



Why choose the Philips LED Vaportight?

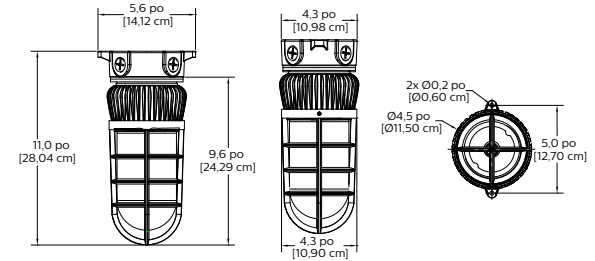
- Wall or ceiling mounting available.
- Provides 83% energy savings over 100W Incandescent.*
- Heat and shock resistant glass globe with cast aluminum guard.
- Long life reduces maintenance.
- Provides up to 1,390 lumens.
- 5 year limited warranty.

*Based on comparison between 100W INC @1710 lumens and PVCXL14-NW-G1 @ 1390 lumens

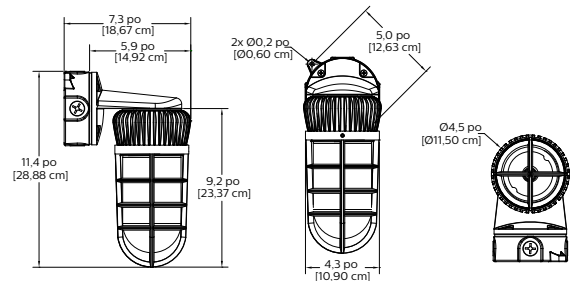


Dimensions

Ceiling Mount (PVCXL)



Wall Mount (PVWXL)



PHILIPS

Wall Mount

Low profile wall



Sleek & slim, with energy saving illumination

Philips Catalog Code	Wattage	Color Temp	Voltage	Lumens	Replaces HID
PPW-15-NW-G1-8-BZ	15W	4000K	120-277V	1656	50W PSMH
PPW-30-NW-G1-8-BZ	30W			3090	70W PSMH
PPW-50-NW-G1-8-BZ	50W			5114	100W PSMH

The **Philips LED Low profile wall** provides efficacies up to 110 lumens per watt, with significant energy savings over HID luminaires.



Why choose the Philips LED Vaportight?

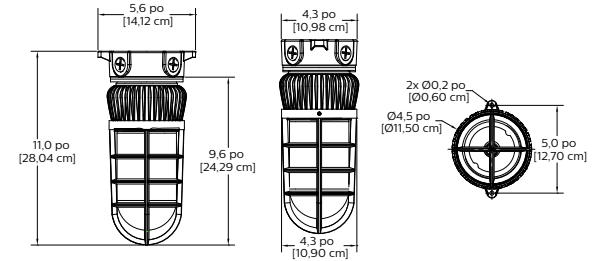
- Wall or ceiling mounting available.
- Provides 83% energy savings over 100W Incandescent.*
- Heat and shock resistant glass globe with cast aluminum guard.
- Long life reduces maintenance.
- Provides up to 1,390 lumens.
- 5 year limited warranty.

*Based on comparison between 100W INC @1710 lumens and PVCXL14-NW-G1 @ 1390 lumens

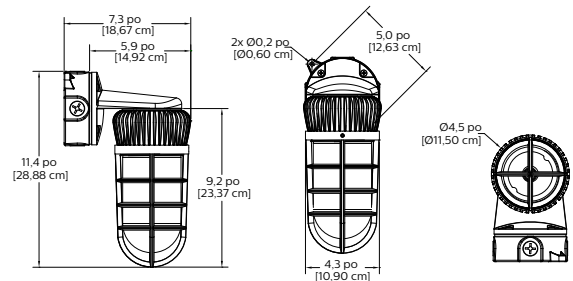


Dimensions

Ceiling Mount (PVCXL)



Wall Mount (PVWXL)



PHILIPS

Wall Mount

SWL
Square wall light



**Compact &
economical**
never
looked so
good

Philips Catalog Code	Color Temp	Options	Voltage	Lumens	Replaces
PSWL-WW-G2-PCB-1-BZ	3000K	Photocell	120V	1178	50W HID

The **Philips LED SWL Square wall light** is the easy answer for general purpose wall mount lighting, with a simple, clean design & excellent value.

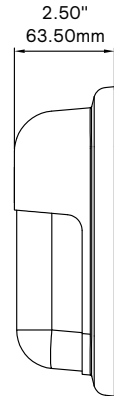
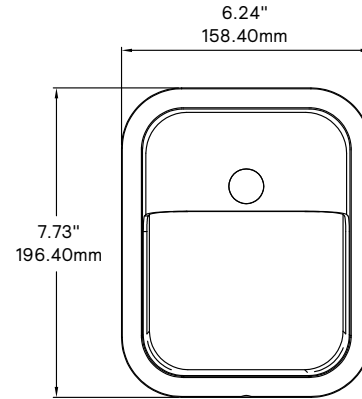


Why choose the Philips SWL Square wall light?

- Wall mount fixture ideal for doorways, entryways and other areas.
- Cost-effective enhanced LED performance means you won't have to sacrifice quality for your budget.
- Built-in photocell for automatic dusk to dawn lighting allow for even more cost-savings.
- Easy installation, the SWL Square wall light mounts to a standard 4" junction box with a galvanized mounting plate.
- One-piece housing with a tough polycarbonate lens.
- 5 year limited warranty.



Dimensions



PHILIPS

Wall Mount

LWL Wall light



Get tough
& efficient
within your
budget

Philips Catalog Code	Color Temp	Options	Voltage	Lumens	Replaces
PLWL-WW-G2-PCB-1-BZ	3000K	Photocell	120V	1104	50W HID

The **Philips LED LWL wall light** is an economical solution for general purpose lighting, made available in an attractive compact form.

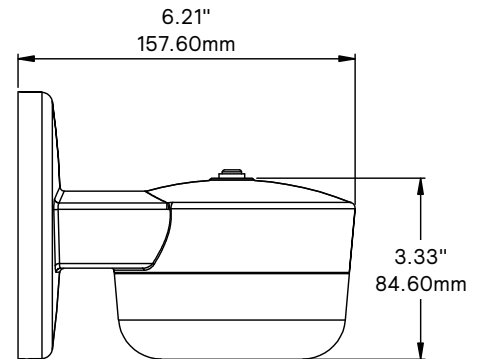
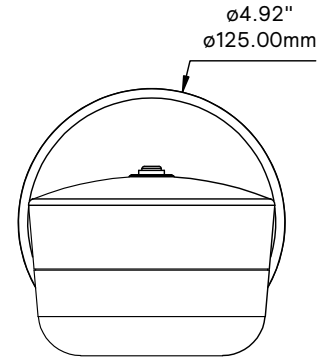


Why choose the Philips LED LWL wall light?

- Wall mount fixture ideal for doorways, entryways and other areas.
- Cost-effective enhanced LED performance means you won't have to sacrifice quality for your budget.
- Built-in photocell for automatic dusk to dawn lighting allow for even more cost-savings.
- Easy installation, the LWL Wall Light mounts to a standard 4" junction box with a galvanized mounting plate.
- One-piece housing with a tough polycarbonate lens.
- 5 year limited warranty.



Dimensions



PHILIPS

Wall Mount

Tall wall pack



Tall,
brilliant
& **full**
of life...

Philips Catalog Code	Wattage	Color Temp	Voltage	Lumens	Replaces HID
PTW-20-NW-G1-8-BZ	20W	4000K	120-277V	1674	100W INC
PTW-20-NW-G1-PCB-1-BZ	20W	4000K	120V	1674	100W INC

The **Philips LED Tall wall pack** is an easy choice for almost any outdoor lighting location with durable illumination that was built to last.

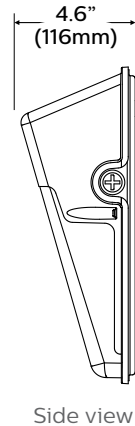
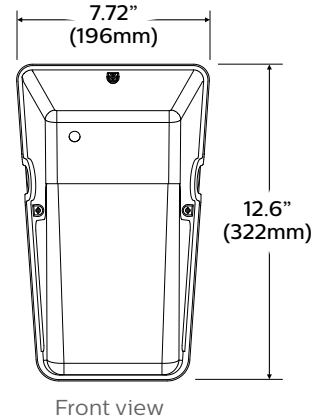


Why choose the Philips LED Tall wall pack?

- Lightweight, compact and built to last.
- Provides up to 83% energy savings over 70W Metal Halide luminaires.*
- The bronze housing is die cast aluminum and impact resistant polycarbonate, with a frosted lens.
- Installation is quick and easy, by mounting to a standard 3 1/2 or 4" junction box.
- Rated for temperatures from -40 to 40°C.



Dimensions



*Based on comparison between TW20 @ 20W and 70W Metal halide.

PHILIPS

Wall Mount

Wall pack



Proven design meets LED technology

Philips Catalog Code	Wattage	Color Temp	Voltage	Lumens	Replaces HID
PWP-30-NW-G1--8-BZ	30W	4000K	120-277V	3355	70W PSMH
PWP-50-NW-G1--8-BZ	50W			5541	100W PSMH
PWP-75-NW-G1--8-BZ	75W			8999	150-250W PSMH
PWP-30-NW-G1-PCB-8-BZ*	30W	4000K	120-277V	3355	70W PSMH
PWP-50-NW-G1-PCB-8-BZ*	50W			5541	100W PSMH
PWP-75-NW-G1-PCB-8-BZ*	75W			8999	150-250W PSMH

With efficacies up to 118 LPW, **Philips new LED Wall packs** help you upgrade from costly HID fixtures with confidence. Move into the future with a time-proven design from a name you can trust.



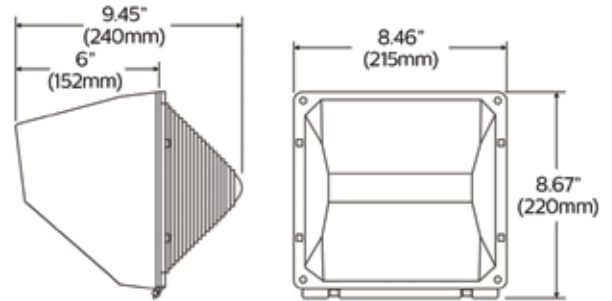
*With Photocell

Why choose the Philips LED Wall pack?

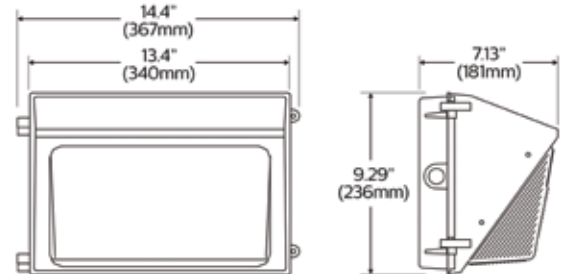
- An easy switch from costly HID fixtures.
- Flexible options – choose from 30, 50 and 75 watts in two different sizes.
- The 50 watt Wall Pack provides the equivalent illumination to 100W HID, and uses over 50% less energy.*
- Glass refractor lens design cuts down on glare.
- One-piece die-cast aluminum housing.
- 5 year limited warranty.



Dimensions



PWP30



PWP50 and PWP75

*Based on comparison between 100W HPS Wall pack at 115W providing 6100 lumens and 50W WP LED providing 5500 lumens

PHILIPS

Landscape

Commercial bollard



The path
ahead
looks
**clear &
bright**

Philips Catalog Code	Watts	Lumens	Voltage	Replaces
PBL25-NW-G1-5-8-BZ	26W	2508	120-277V	70W MH

The **Philips Commercial bollard** makes a strong statement in high traffic outdoor areas, while adding a sense of security.

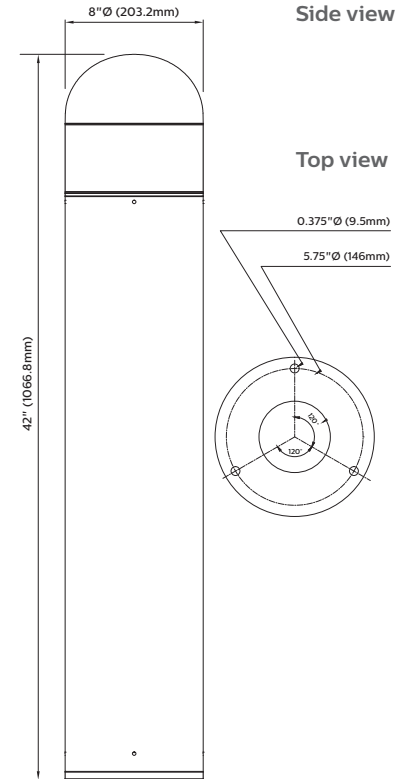


Why choose the Philips Commercial bollard?

- Clean lines for a timeless, modern look.
- Rugged, aluminum construction and high quality finish.
- Simple installation.
- Ready-to-ship, in-stock product.
- Silicone gaskets protect internals from harsh elements.
- 50,000 hour rated life (L70).



Dimensions



PHILIPS

Landscape

Commercial accent



A clever way to
refine your
outdoor
design

Philips Catalog Code	Wattage (Variable)	Color Temp	Lumens (Range)	Replaces
PB9DW-H	10W	3000K	932-995	35W MH
PB9DW-H	13W	3000K	1337-1427	50W MH
PB9DW-H	19W	3000K	1903-2031	70W MH
PB9DW-H	27W	3000K	2621-2797	70W MH
PB9DW-H	33W	3000K	3065-3271	70W MH

Easy installation and powerful performance make the **Philips Commercial accent** a smart choice for highlighting outdoor elements. Enhance and brighten those outdoor spaces your way.



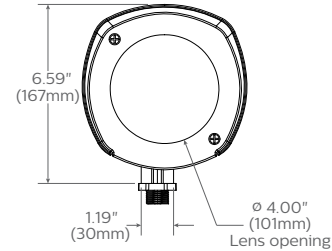
Why choose the Philips Commercial accent?

- One all-encompassing landscape lighting solution is all you need.
- Narrow, medium and wide flood beam patterns, interchangeable via snap-on lenses
- Standard 0-10V dimming.
- Five field adjustable lumen outputs.
- 5 year limited warranty.

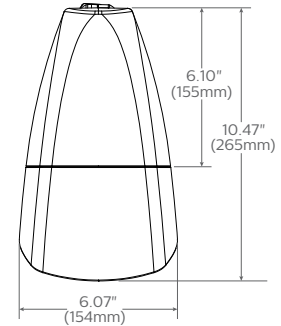


Dimensions

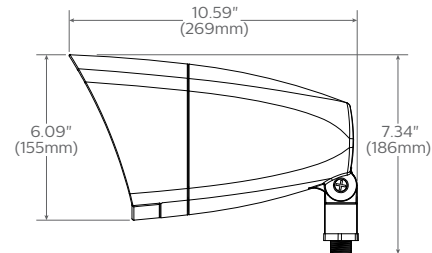
End view



Top view



Side view



PHILIPS

Landscape

Low voltage accent



A little
light **goes**
a long
way

Philips Catalog Code	CCT	Watts Consumed	Lumens	Replaces
PBL9DW-HS7	Warm-3000K	2.0 W	230	20W MR16
PBL9DW-HS7	Warm-3000K	4.5 W	600	35W MR16
PBL9DW-HS7	Warm-3000K	8.6 W	1100	50W MR16
PBL9DW-HS7	Warm-3000K	10.7 W	1500	75W MR16

Let your outdoor design shine with the discreet power of the **Philips Low voltage accent**. Great effects come from small packages.



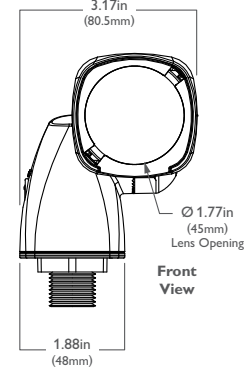
Why choose the Philips Low voltage accent?

- Beam Adjustability: Lens zooms from narrow (15°) to medium (30°) beam, accessible after easy removal of twistoff shroud.
- Interchangeable flood (60°) lens included.
- Switchable Light Levels: Easy-access integral switch for 4 preset light outputs.
- Precise Aiming: Adjustable knuckle arm enables range of 150°.
- IP66 Rating: Dust tight and sealed against direct jets of water.
- Convenient Installation.

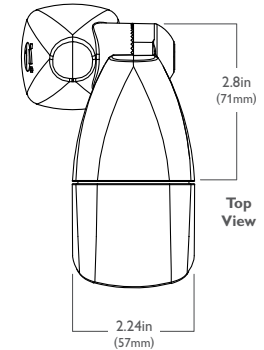


Dimensions

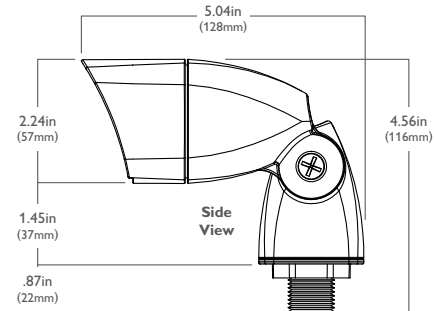
End view



Top view



Side view



PHILIPS

Landscape

Low voltage inground



Breaking
new ground
with
**optimal
versatility**

Philips Catalog Code	CCT	Watts Consumed	Lumens	Replaces
PIL9DW-A	Warm-3000K	2.0 W	230	20W MR16
PIL9DW-A	Warm-3000K	4.5 W	600	35W MR16
PIL9DW-A	Warm-3000K	8.6 W	1100	50W MR16
PIL9DW-A	Warm-3000K	10.7 W	1500	75W MR16

Philips Low voltage inground luminaire opens new horizons for low-voltage landscape lighting. It is designed for optimal LED performance and superior flexibility.



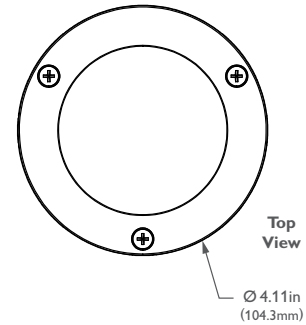
Why choose the Philips Low voltage inground?

- Rugged construction and quality finish.
- Ready-to-ship, in-stock products.
- Ease of installation.
- Flexibility to change light intensity in the field.
- Innovative zoomable LED Optics allow different beam patterns.
- 50,000 hour rated life (L70).

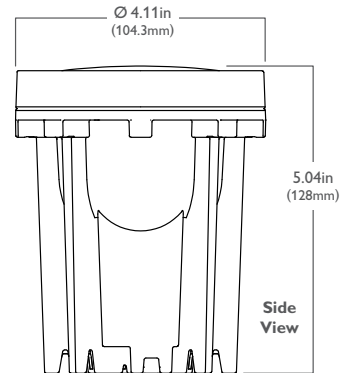


Dimensions

Top view



Side view



PHILIPS

Landscape

Controller &
Power Supply



Time to
hire **a
brilliant
new
manager**

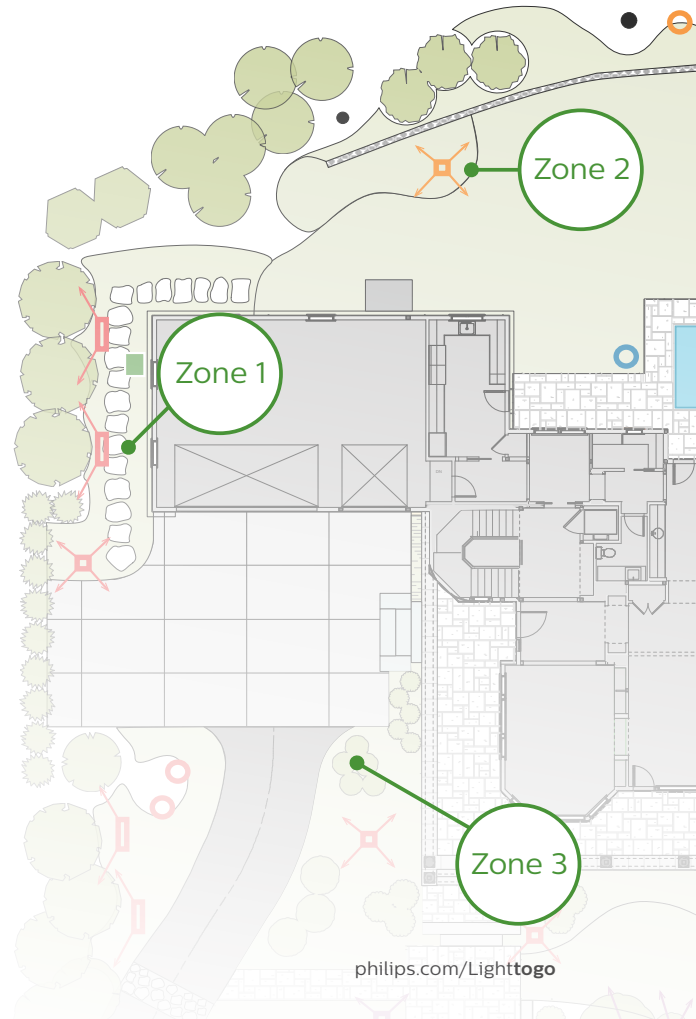
Landscape Controller Order Code	Max Consumption
PZoneScape1-A	Controls 300 Watts of Luminaires
Landscape Power Supply Order Code	Max Consumption
PTSS354-15	Will Power 300W Transformer

Philips brings you great technology to help you take control of your landscape lighting designs. Simple, outdoor lighting that brings the night to life.



Why choose the Philips Landscape controller and Power supply?

- Control up to 300 Watts of luminaires.
- Easily group your lighting to instantly switch on and off or program your scenes to weekly schedules.
- Install the Controller in under 10 minutes without any additional wires or adapter tools.
- Android or IOS compatible App with user-friendly interface to create and control lighting.





© 2019 Signify Holding. All rights reserved. The information provided herein is subject to change, without notice. Signify does not give any representation or warranty as to the accuracy or completeness of the information included herein and shall not be liable for any action in reliance thereon. The information presented in this document is not intended as any commercial offer and does not form part of any quotation or contract, unless otherwise agreed by Signify. Philips and the Philips Shield Emblem are registered trademarks of Koninklijke Philips N.V. All other trademarks are owned by Signify Holding or their respective owners.

Signify North America Corporation
200 Franklin Square Drive,
Somerset, NJ 08873
Telephone 855-486-2216

Signify Canada Ltd.
281 Hillmount Road,
Markham, ON, Canada L6C 2S3
Telephone 800-668-9008