

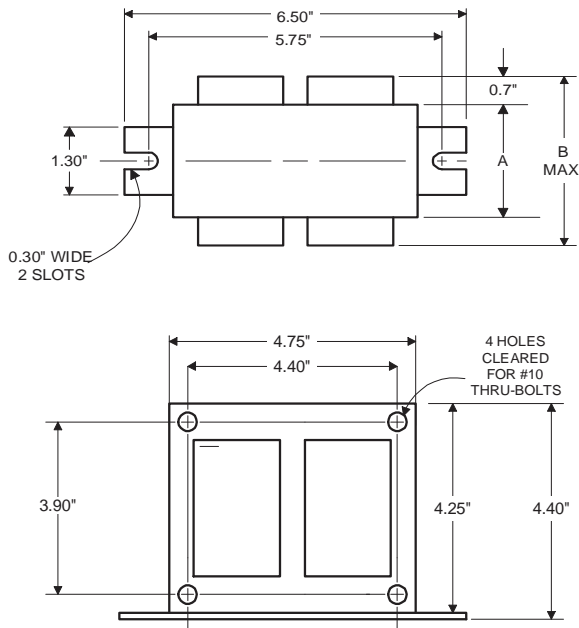
PHILIPS ADVANCE

Metal
Halide
Lamp Ballast

Catalog Number AS205W480TEE
For 205W C184 ALLSTART
60 Hz SUPER-CWA
Status: Active

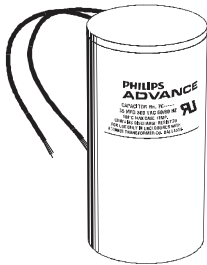
DIMENSIONS AND DATA

4 1/4 X 4 3/4 CORE - 2 COIL UNIT



INPUT VOLTS	480				
CIRCUIT TYPE	SUPER-CWA				
POWER FACTOR (min)	90%				
REGULATION					
Line Volts	±10%				
Lamp Watts	±10%				
LINE CURRENT (Amps)					
Operating.....	0.49				
Open Circuit.....	0.48				
Starting.....	0.34				
UL TEMPERATURE RATINGS					
Insulation Class	H(180°C)				
Coil Temperature Code	1029	A			
MIN. AMBIENT STARTING TEMP.	-20°F or -30°C				
NOM. OPEN CIRCUIT VOLTAGE	280				
INPUT VOLTAGE AT LAMP DROPOUT.....	240				
INPUT WATTS	232				
RECOMMENDED FUSE (Amps).....	2				
CORE and COIL					
Dimension (A)	1.91				
Dimension (B)	3.70				
Weight (lbs.)	12.9				
Lead Lengths	12"				
CAPACITOR REQUIREMENT					
Microfarads	16.0				
Volts (min.)	400				
Fault Current Withstand (amps)					
60 Hz TEST PROCEDURES (Refer to Advance Test Procedure for HID Ballasts - Form 1270)					
High Potential Test (Volts)					
1 minute	2000				
2 seconds	2500				
Open Circuit Voltage Test (Volts)	254-308				
Short-Circuit Current Test (Amps)					
Secondary Current	2.26-2.76				
Input Current.....	0.21-0.31	-	-	-	-

Capacitor: 7C160P40



Capacitance: 16
Dia/Oval Dim: 1.75
Height: 3.75
Temp Rating: 105°C

Wiring Diagram:

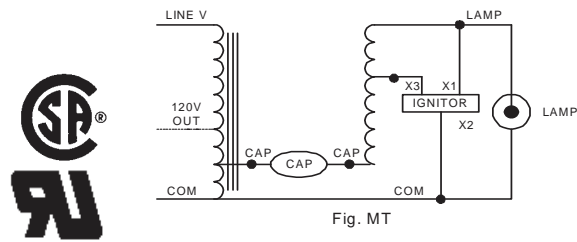
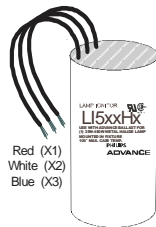


Fig. MT

Ordering Information

Order Suffix	Description
500DEE	88% EISA Ballast, w/cap, & ignitor
510DEE	88% EISA Ballast w/welded-on bracket, cap & ignitor

Ignitor: LI533-H4



Red (X1)
White (X2)
Blue (X3)

Ballast to Lamp Distance (BTL) = 2 feet
Temp Rating: 105°C

Data is based upon tests performed by Philips Lighting Electronic N.A. in a controlled environment and representative of relative performance. Actual performance can vary depending on operating conditions. Specifications are subject to change without notice.

Philips Lighting Electronic N.A.

10275 West Higgins Road · Rosemont, IL 60018 · Tel:800-322-2086 Fax:888-432-1882
Customer Support/ Technical Service:800-372-3331 · OEM Support: 866-915-5886

08/29/13