



Simply irresistible. Superior light quality from start to finish

MasterColor CDM-TC T4

MasterColor CDM lamp gives a unique combination of unbeatable light quality and consistent performance over lifetime while keeping running costs low. The Philips MasterColor Tubular Single-Ended T4 lamp is a compact, energy efficient, ceramic metal halide lamp that provides crisp, sparkling light.

Benefits

- Energy-efficient alternative to incandescent/halogen.
- Improved lumen maintenance over standard metal halide.
- Lamp to lamp color consistency over life.

Features

- 90 CRI (color rendering index)
- High lamp efficacy (up to 104LPW)
- Vertical position $\pm 60^\circ$ (39W); Universal operating position (70W)
- Dimensions, base and light center length are same as MasterColor.
- Features FadeBlock™—an integrated UV blocking medium for reduced fading of fabrics and paintings.
- 39W and 70 Watt versions.

Application

- Ideal for retail display lighting, and accent lighting.

PHILIPS

Warnings and Safety

- R "WARNING: These lamps can cause serious skin burn and eye inflammation from short wave ultraviolet radiation if outer envelope of the lamp is broken or punctured. Do not use where people will remain for more than a few minutes unless adequate shielding or

other safety precautions are used. Certain lamps that will automatically extinguish when the outer envelope is broken or punctured are commercially available." This lamp complies with FDA radiation performance standard 21 CFR subchapter J. (USA:21 CFR 1040.30 Canada: SOR/DORS/80-381)

Related products



CDM-TC, 35W

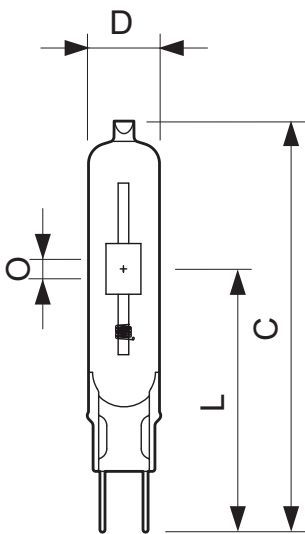


CDM-TC 70W /830



CDM-TC 70W /842

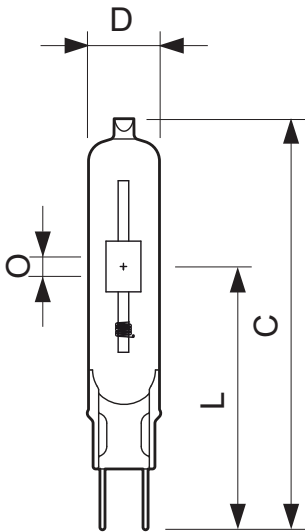
Dimensional drawing



MasterColor CDM-TC 35W/830 T4 CL

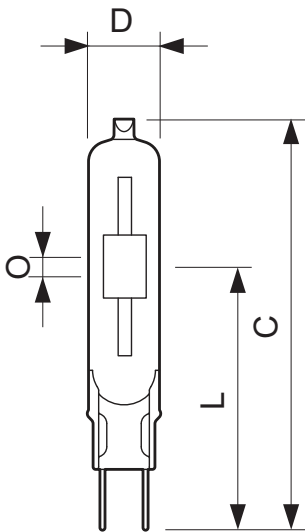
Product	C (Max)	D (Max)	L (Min)	L (Norm)	L (Max)	O (Norm)
CDM-TC 35W/830 G8.5	85	15	51	52	53	5

Dimensional drawing



MasterColor CDM-TC 70W/830 T4 CL

Product	C (Max)	D (Max)	L (Min)	L (Norm)	L (Max)	O (Norm)
CDM-TC 70W/830 G8.5	85	15	51	52	53	7



MasterColor CDM-TC 70W/842 T4 CL 1CT

Product	C (Max)	D (Max)	L (Min)	L (Norm)	L (Max)	O (Norm)
CDM-TC 70W/842 G8.5	85	15	51	52	53	5

General Characteristics (1/2)

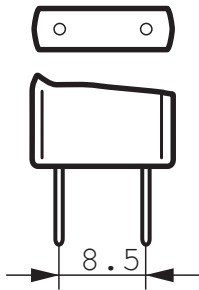
Order code	Full product name	Base	Bulb	Bulb Material	Bulb Finish	Operating Position	Life to 5% failures EM	Life to 5% failures EL	Life to 10% failures EM	Life to 10% failures EL	Life to 20% failures EM
928085205115	MASTERColour CDM-TC 35W/830 G8.5 T14 CL	G8.5	T4	FadeBlock Quartz	Clear	Universal	6000 hr	6000 hr	8000 hr	8000 hr	9000 hr
928086505115	MasterColor CDM-TC 70W/830 T4 CL	G8.5	T4	FadeBlock Quartz	Clear	Universal	hr	6000 hr	hr	8000 hr	hr
928094605117	MasterColor CDM-TC 70W/842 T4 CL 1CT	G8.5	T4	FadeBlock Quartz	Clear	Universal	hr	6000 hr	hr	8000 hr	hr

General Characteristics (2/2)

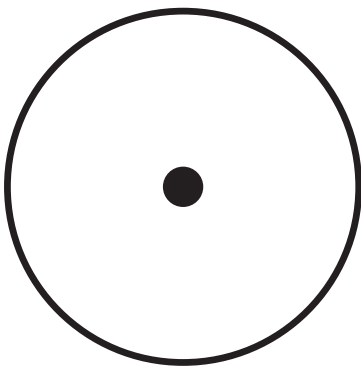
Order code	Full product name	Life to 20% failures EL	Avg. Life	Avg. Hrs. Life	Lamp Life at 50% power
928085205115	MASTERColour CDM-TC 35W/830 G8.5 T14 CL	9000 hr	10000 hr	12000 hr	hr
928086505115	MasterColor CDM-TC 70W/830 T4 CL	9000 hr	hr	12000 hr	hr

Order code	Full product name	Life to 20% failures EL	Avg. Life	Avg. Hrs. Life	Lamp Life at 50% power
928094605117	MasterColor CDM-TC 70W/842 T4 CL 1CT	9000 hr	hr	12000 hr	hr

Installation diagrams



G8.5



any

Light Technical Characteristics (1/3)

Order code	Full product name	Color Code	Color Rendering Index	Color Designation	Color Temperature	Initial Lumens	Initial Lumens	Luminous Efficacy Lamp EM	Luminous Efficacy Lamp EL	Lumen Maintenance 2000h	Lumen Maintenance EM 2000h
928085205115	MASTERColour CDM-TC 35W/830 G8.5 T14 CL	830	81 Ra8	Warm White	3000 K	3000 Lm	3100 Lm	79 Lm/W	79 Lm/W	%	70 %
928086505115	MasterColor CDM-TC 70W/830 T4 CL	830	80 (min), 83 (nom) Ra8	Warm White	3000 K	Lm	6400 Lm	Lm/W	88 Lm/W	%	%
928094605117	MasterColor CDM-TC 70W/842 T4 CL 1CT	842	86 (min), 89 (nom) Ra8	Cool White	4200 K	Lm	5800 Lm	Lm/W	79 Lm/W	%	%

Light Technical Characteristics (2/3)

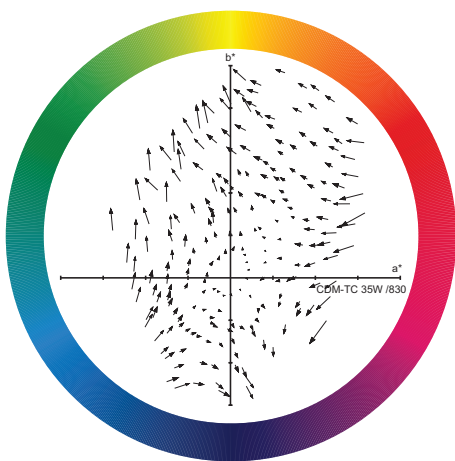
Order code	Full product name	Lumen Maintenance EL 2000h	Lumen Maintenance EL 5000h	Lumen Maintenance EM 5000h	Lumen Maintenance EL 5000h	Lumen Maintenance 10000h	Lumen Maintenance EM 10000h	Lumen Maintenance EL 10000h	Lumen Maintenance 12000h	Lumen Maintenance EL 12000h	Design Mean Lumens EL
928085205115	MASTERColour CDM-TC 35W/830 G8.5 T14 CL	80 %	%	55 %	65 %	%	35 %	50 %	%	%	2200 Lm
928086505115	MasterColor CDM-TC 70W/830 T4 CL	85 %	%	%	75 %	%	%	65 %	%	%	5100 Lm
928094605117	MasterColor CDM-TC 70W/842 T4 CL 1CT	80 %	%	%	75 %	%	%	65 %	%	%	4300 Lm

Light Technical Characteristics (3/3)

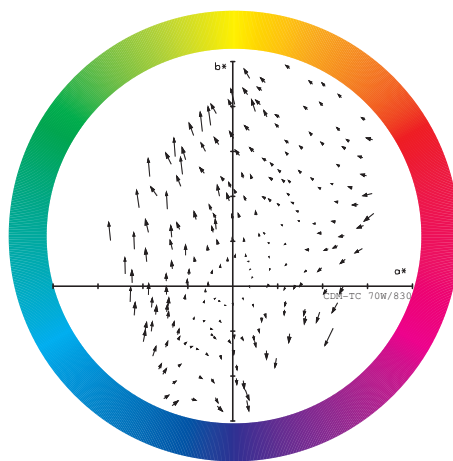
Order code	Full product name	Design Mean Lumens EM	Chromaticity Coordinate X	Chromaticity Coordinate Y
928085205115	MASTERColour CDM-TC 35W/830 G8.5 T14 CL	1850 Lm	0.432 -	0.394 -
928086505115	MasterColor CDM-TC 70W/830 T4 CL	Lm	0.439 -	0.398 -

Order code	Full product name	Design Mean Lumens EM	Chromaticity Coordinate X	Chromaticity Coordinate Y
928094605117	MasterColor CDM-TC 70W/842 T4 CL 1CT	Lm	0.362 -	0.363 -

Light technical

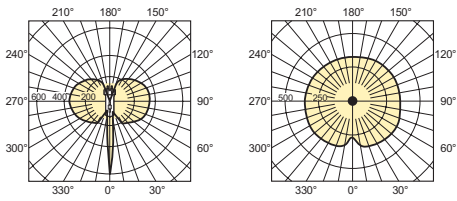


CDM-TC 35W /830



CDM-TC 70W /830

Light technical

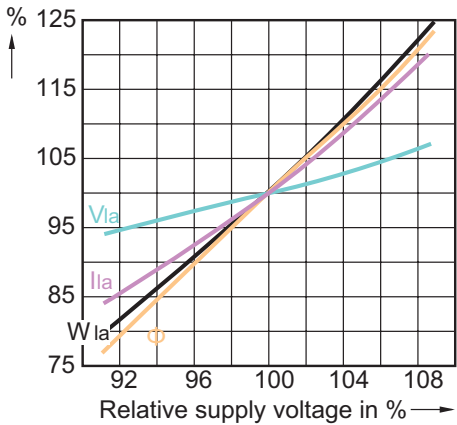


CDM-TC 35W, 70W /830

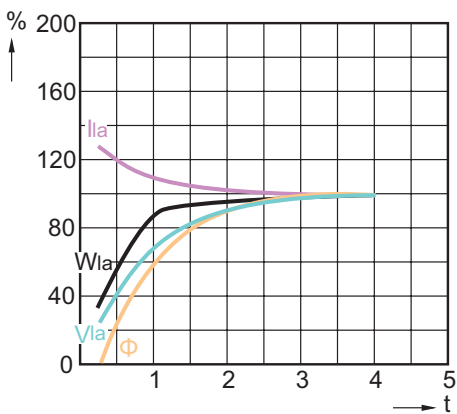
Electrical Characteristics

Order code	Full product name	Energy Used	Lamp Wattage EM 25°C, Nominal	Lamp Wattage EM 25°C, Rated	Lamp Wattage EL 25°C, Rated	Lamp Wattage EL 25°C, Nominal	Lamp Voltage	Lamp Current EM	Lamp Current EL	Dimmable
928085205115	MASTERColour CDM-TC 35W/830 G8.5 T14 CL	35 W	35.0 W	38.0 W	39.0 W	35.0 W	88 V	0.53 A	0.47 A	No
928086505115	MasterColor CDM-TC 70W/830 T4 CL	70 W	W	W	73.0 W	70.0 W	83 V	A	0.87 A	No
928094605117	MasterColor CDM-TC 70W/842 T4 CL 1CT	70 W	W	W	73.0 W	70.0 W	88 V	A	0.830 A	No

Performance diagrams

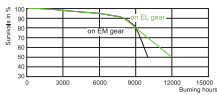


CDM-TC 35W, 70W /830

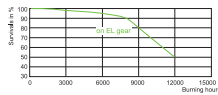


CDM-TC 35W, 70W /830, /842, /942

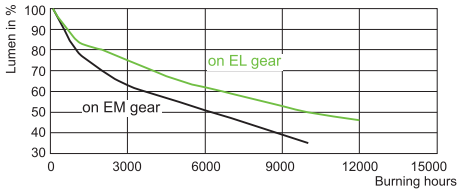
Performance diagrams



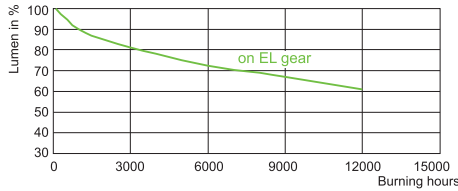
CDM-TC 35W /830
on electronic &
electromagnetic gear



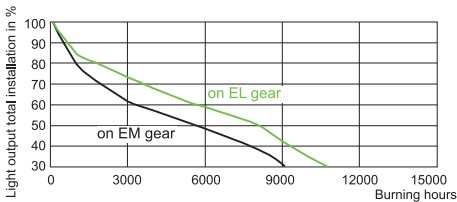
CDM-TC 70W /830
on electronic gear



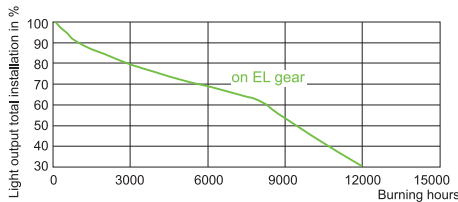
CDM-TC 35W /830 on electronic & electromagnetic
gear



CDM-TC 70W /830 on electronic gear



CDM-TC 35W /830 on electronic & electromagnetic
gear



CDM-TC 70W /830 on electronic gear

Environmental Characteristics

Order code	Full product name	Energy Efficiency Label (EEL)	Mercury (Hg) Content	Energy consumption kWh/1000h
928085205115	MASTERColour CDM-TC 35W/830 G8.5 T14 CL	A+	3 mg	41 kWh
928086505115	MasterColor CDM-TC 70W/830 T4 CL	A+	4.5 mg	80 kWh
928094605117	MasterColor CDM-TC 70W/842 T4 CL 1CT	A+	7 mg	80 kWh

Luminaire Design Requirements

Order code	Full product name	Bulb Temperature
928085205115	MASTERColour CDM-TC 35W/830 G8.5 T14 CL	500 (max) C
928086505115	MasterColor CDM-TC 70W/830 T4 CL	550 (max) C
928094605117	MasterColor CDM-TC 70W/842 T4 CL 1CT	700 (max) C



© 2014 Koninklijke Philips N.V. (Royal Philips)
All rights reserved.

Specifications are subject to change without notice. Trademarks are the property of Koninklijke Philips N.V. (Royal Philips) or their respective owners.

www.philips.com/lighting

2014, February 7
data subject to change