



2013, October 22
data subject to change

Superior Color Performance in Metal Halide Technology

MasterColor CDM-TD

The MasterColor CDM metal halide lamps deliver consistent white light and higher color rendering than any standard metal halide source for architectural lighting. Tubular double-ended TD style for enclosed luminaires are ideal for accent lighting in indoor applications.

Benefits

- Energy-efficient alternative to incandescent/halogen.
- Improved lumen maintenance over standard metal halide.

Features

- Lifetime color stability within +/- 200k.
- Exceptional color rendering.
- Features FadeBlock™—an integrated UV blocking medium for reduced fading of fabrics and paintings.
- Available in 70W TD6 and 150W TD7.

Application

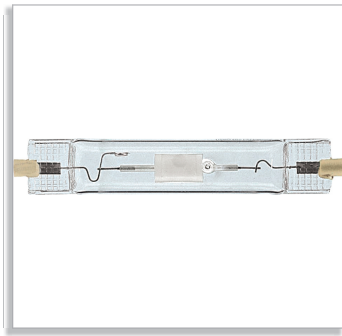
- Ideal for display and accent lighting in retail, architectural applications.

Warnings and Safety

- R "WARNING: These lamps can cause serious skin burn and eye inflammation from short wave ultraviolet radiation if outer envelope of the lamp is broken or punctured. Do not use where people will remain for more than a few minutes unless adequate shielding or other safety precautions are used. Certain lamps that will automatically extinguish when the outer envelope is broken or punctured are commercially available." This lamp complies with FDA radiation performance standard 21 CFR subchapter J. (USA:21 CFR 1040.30 Canada: SOR/DORS/80-381)

PHILIPS

Related products

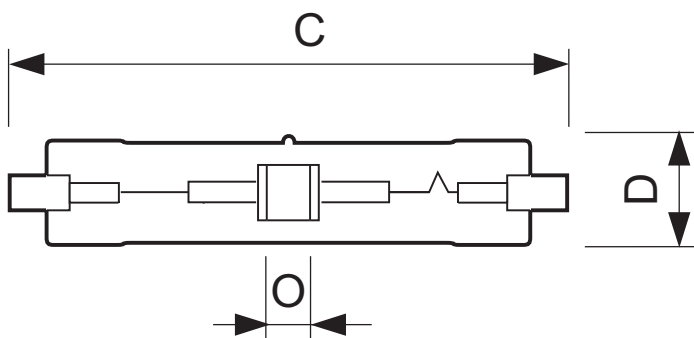


CDM-TD, 150W



CDM-TD, 70W

Dimensional drawing



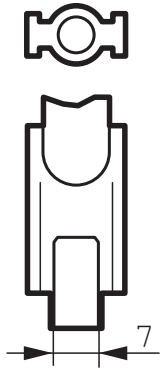
MasterColor CDM-TD C139/E 70W/830 T6

Product	C (Max)	D (Max)	O (Min)	O (Norm)	O (Max)
CDM-TD 70W/830 RX7s	119.63	22	-	8	-
CDM-TD 150W/830 RX7s	137.43	25	-	10	-

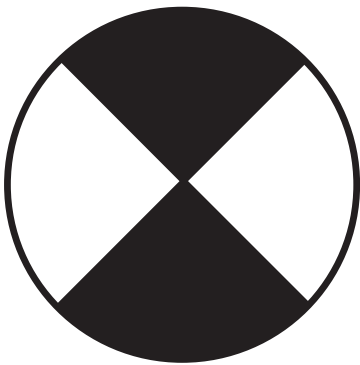
General Characteristics

Order code	Full product name	Base	Bulb	Bulb Finish	Operating Position	Life to 5% failures	Life to 10% failures	Life to 20% failures	RatedAvgLife(See Family Notes)
928083605116	MasterColor CDM-TD 150W/830 RX7s T7 CL	Recessed Single Contact RX7s	T-7	Clear	Horizontal +/- 45 D	9000 hr	13000 hr	15000 hr	16000 hr
928082205115	MasterColor CDM-TD 70W/830 RX7s T6 CL	Recessed Single Contact RX7s	T6	Clear	Horizontal +/- 45 D	9000 hr	13000 hr	15000 hr	16000 hr

Installation diagrams



RX7s



p45

Light Technical Characteristics (1/2)

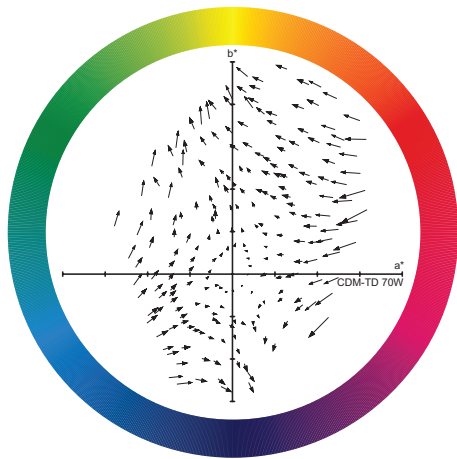
Order code	Full product name	Color Code	Color Rendering Index	Color Designation	Color Temperature	Initial Lumens	Luminous Efficacy Lamp EM	Lumen Maintenance 2000h	Lumen Maintenance 5000h	Lumen Maintenance 10000h	Design Mean Lumens
928083605116	MasterColor CDM-TD 150W/830 RX7s T7 CL	830	88 Ra8	Warm White	3000 K	13250 Lm	91 Lm/W	90 %	85 %	75 %	Lm
928082205115	MasterColor CDM-TD 70W/830 RX7s T6 CL	830	82 Ra8	Warm White	3000 K	6000 Lm	85 Lm/W	87 %	80 %	70 %	Lm

Light Technical Characteristics (2/2)

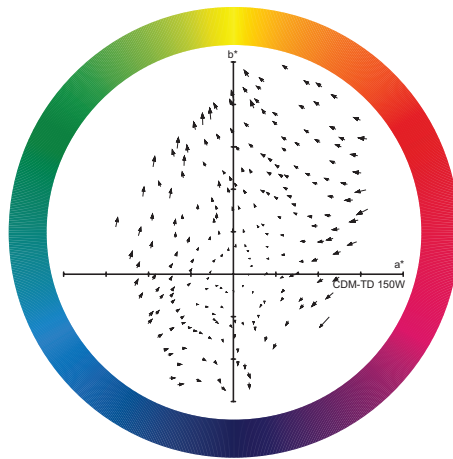
Order code	Full product name	Chromaticity Coordinate X	Chromaticity Coordinate Y
928083605116	MasterColor CDM-TD 150W/830 RX7s T7 CL	0.431 -	0.390 -

Order code	Full product name	Chromaticity Coordinate X	Chromaticity Coordinate Y
928082205115	MasterColor CDM-TD 70W/830 RX7s T6 CL	0.443 -	0.401 -

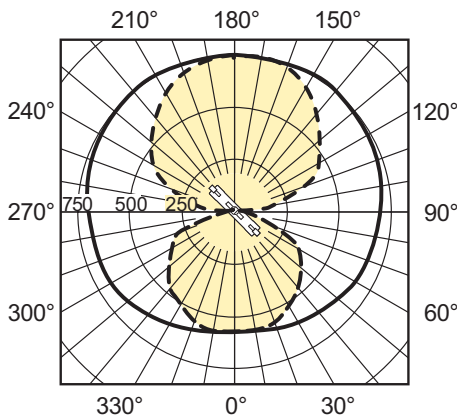
Light technical



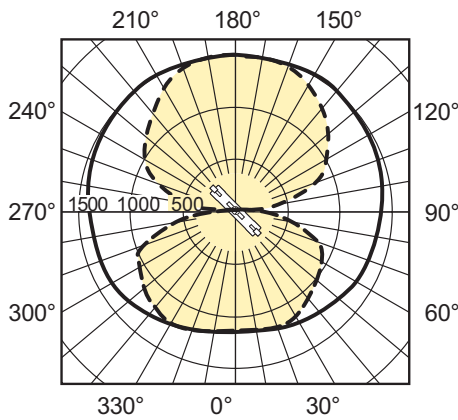
CDM-TD 70W



CDM-TD 150W



CDM-TD 70W

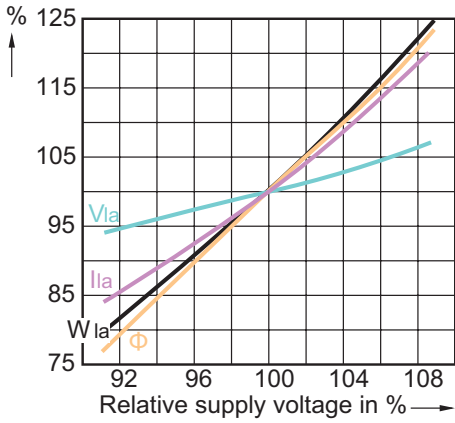


CDM-TD 150W

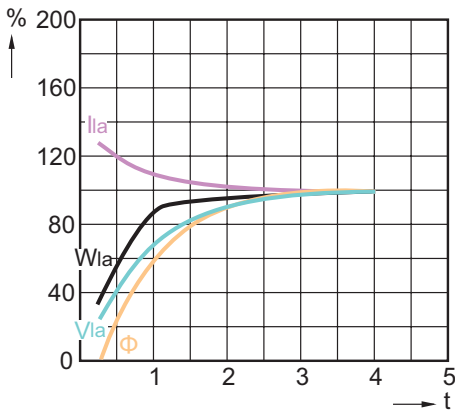
Electrical Characteristics

Order code	Full product name	Energy Used	Lamp Wattage EM 25°C, Nominal	Lamp Wattage EM 25°C, Rated	Lamp Voltage	Lamp Current EM	Dimmable
928083605116	MasterColor CDM-TD 150W/830 RX7s T7 CL	150 W	150.0 W	145.0 W	96 V	1.8 A	No
928082205115	MasterColor CDM-TD 70W/830 RX7s T6 CL	70 W	70.0 W	71.0 W	92 V	0.95 A	No

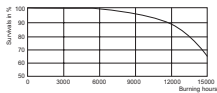
Performance diagrams



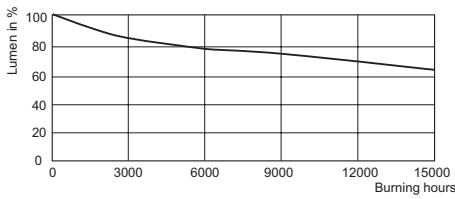
CDM-TD /830



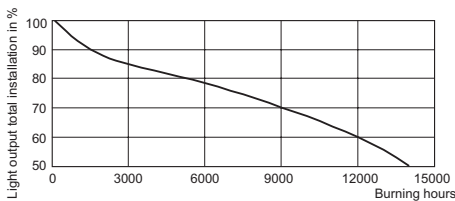
CDM-TD



CDM-TD



CDM-TD



CDM-TD

Environmental Characteristics

Order code	Full product name	Energy Efficiency Label (EEL)	Mercury (Hg) Content	Energy consumption kWh/1000h
928083605116	MasterColor CDM-TD 150W/830 RX7s T7 CL	A+	10.23 mg	161 kWh
928082205115	MasterColor CDM-TD 70W/830 RX7s T6 CL	A+	3.7 mg	78 kWh

Luminaire Design Requirements

Order code	Full product name	Bulb Temperature
928083605116	MasterColor CDM-TD 150W/830 RX7s T7 CL	650 (max) C
928082205115	MasterColor CDM-TD 70W/830 RX7s T6 CL	500 (max) C



© 2013 Koninklijke Philips N.V. (Royal Philips)
All rights reserved.

Specifications are subject to change without notice. Trademarks are the property of Koninklijke Philips N.V. (Royal Philips) or their respective owners.

www.philips.com/lighting

2013, October 22
data subject to change