



We're thinking small, so you can think big

MasterColor CDM-TM

Introducing the smallest 20W ceramic metal halide lamp together with the unique e-Vision® electronic ballast. It's visually pleasing and financially rewarding, so the focus can be on your merchandise and not the ceiling clutter.

Benefits

- Miniaturization means smaller fixtures, less ceiling clutter and more focus on the merchandise.
- Positioning accuracy within the reflector for optimal reflector performance.
- Lamp, electronic ballast and twist & lock lamp base are developed as a system, and designed for easy installation and relamping.

Features

- Energy efficient system operation reduces operating costs.
- Excellent color quality of up to 90 CRI, 3000K.
- Lamp is up to 40% smaller than industry standard.
- Lamp, electronic ballast and twist & lock lamp base are developed as a system.
- Available in 20 and 35 Watt.

Application

- Ideal for accent and display lighting, in specialty retail and architectural outdoor applications.

Warnings and Safety

- R "WARNING: These lamps can cause serious skin burn and eye inflammation from short wave ultraviolet radiation if outer envelope of the lamp is broken or punctured. Do not use where people will remain for more than a few minutes unless adequate shielding or other safety precautions are used. Certain lamps that will automatically extinguish when the outer envelope is broken or punctured are commercially available." This lamp complies with FDA radiation performance standard 21 CFR subchapter J. (USA:21 CFR 1040.30 Canada: SOR/DORS/80-381)

PHILIPS

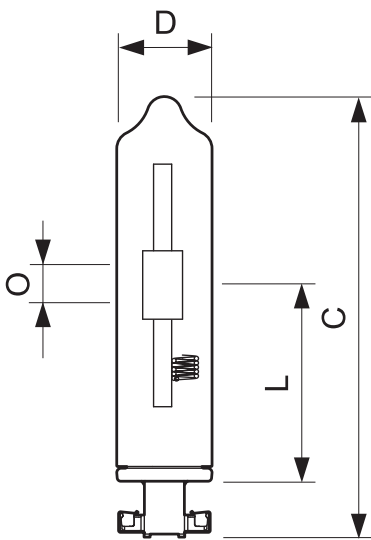
Related products



MASTERColour CDM-Tm 20W /830
PGJ5



Dimensional drawing



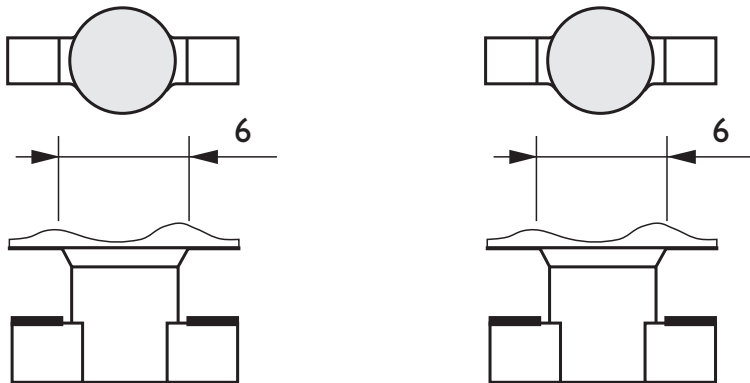
MasterColor CDM-TM 20W/830 T3.5 CL 1CT

Product	C (Max)	D (Max)	L (Min)	L (Norm)	L (Max)	O (Min)	O (Norm)	O (Max)
CDM-Tm 20W/830 PGJ5	52	11.2	22.3	22.6	22.9	-	3	-
CDM-Tm 20W/830 PGJ5	52	11.2	22.3	22.6	22.9	-	3	-
CDM-Tm 35W/930 PGJ5	52	11.2	22.3	22.6	22.9	-	4	-

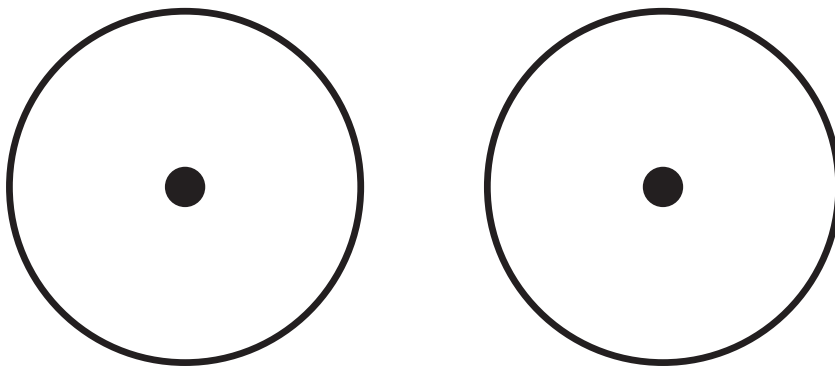
General Characteristics

Order code	Full product name	Base	Bulb	Bulb Finish	Operating Position	Life to 5% failures	Life to 10% failures	Life to 20% failures	RatedAvgLife(See Family Notes)
928087905115	MasterColor CDM-TM 20W/830 T3.5 CL 1CT	PGJ5	T3.5	Clear	Universal	9000 hr	10000 hr	11000 hr	12000 hr
-	-	PGJ5	T3.5	Clear	Universal	9000 hr	10000 hr	11000 hr	12000 hr
-	-	PGJ5	T3.5	Clear	Universal	9000 hr	10000 hr	11000 hr	12000 hr

Installation diagrams



PGJ5



any

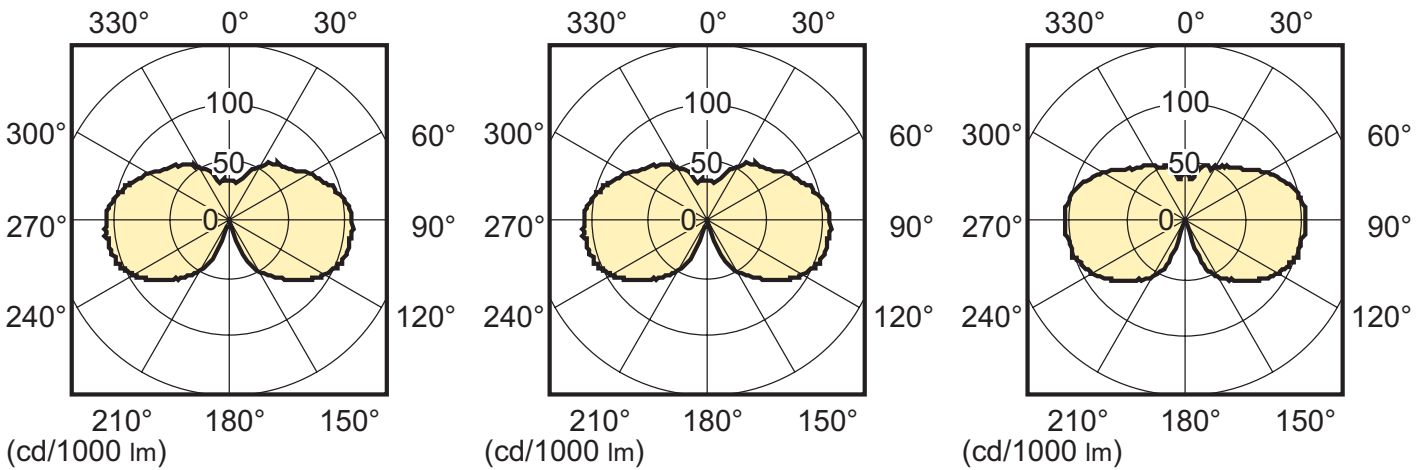
Light Technical Characteristics (1/2)

Order code	Full product name	Color Code	Color Rendering Index	Color Designation	Color Temperature	Initial Lumens	Luminous Efficacy Lamp EL	Lumen Maintenance 1000h	Lumen Maintenance 2000h	Lumen Maintenance 4000h	Lumen Maintenance 5000h
928087905115	MasterColor CDM-TM 20W/830 T3.5 CL 1CT	830	84 (min), 87 (nom) Ra8	Warm White	3000 K	1650 Lm	75 Lm/W	80 %	75 %	%	65 %
-	-	830	82 (min), 85 (nom) Ra8	Warm White	3000 K	1650 Lm	75 Lm/W	80 %	75 %	%	65 %
-	-	930	87 (min), 90 (nom) Ra8	Warm White	3000 K	3000 Lm	77 Lm/W	85 %	80 %	%	70 %

Light Technical Characteristics (2/2)

Order code	Full product name	Lumen Maintenance 8000h	Lumen Maintenance 10000h	Lumen Maintenance 12000h	Lumen Maintenance 15000h	Design Mean Lumens EL	Chromaticity Coordinate X	Chromaticity Coordinate Y
928087905115	MasterColor CDM-TM 20W/830 T3.5 CL 1CT	%	60 %	%	%	1100 Lm	0.433 -	0.392 -
-	-	%	60 %	%	%	-	0.432 -	0.396 -
-	-	%	70 %	%	%	-	0.432 -	0.394 -

Light technical

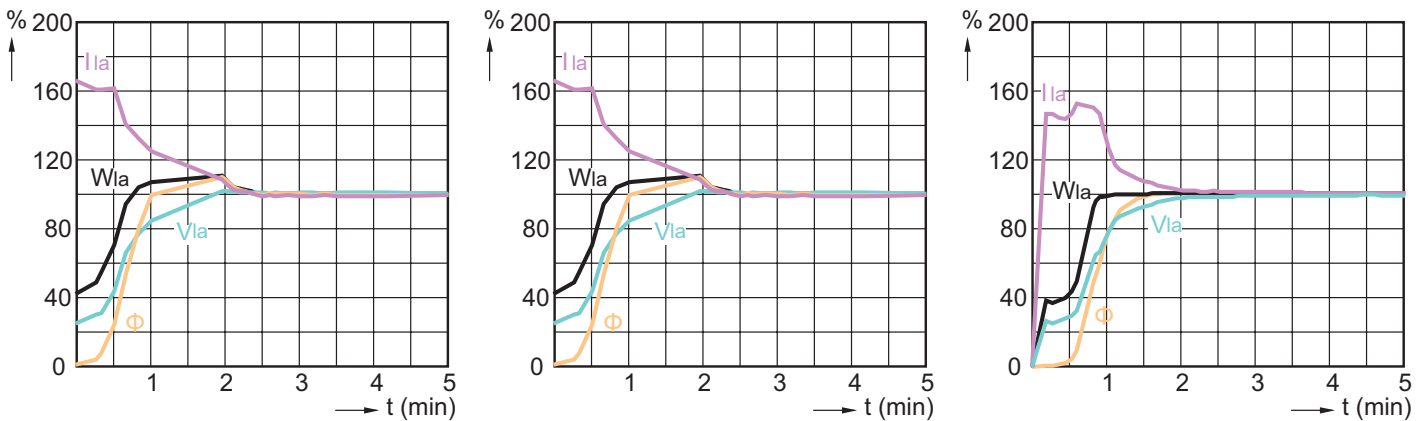


CDM-Tm 20W /830 PGJ5

Electrical Characteristics

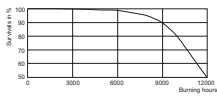
Order code	Full product name	Energy Used	Lamp Wattage EL 25°C, Rated	Lamp Wattage EL 25°C, Nominal	Lamp Voltage	Lamp Current EL	Dimmable
928087905115	MasterColor CDM-TM 20W/830 T3.5 CL 1CT	20 W	22.0 W	20.0 W	100 V	0.220 A	No
-	-	20 W	-	-	100 V	0.220 A	No
-	-	35 W	-	-	96 V	0.4 A	No

Performance diagrams



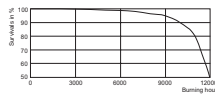
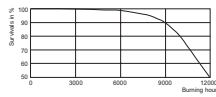
MASTERCOLOR CDM-Tm Elite 20W /830 PGJ5

Performance diagrams



MASTERColour CDM-

on electronic gear

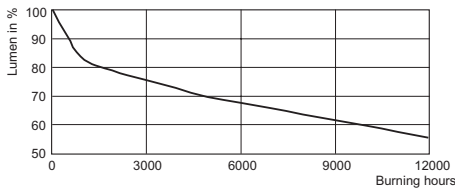


on electronic gear

Tm Elite 20W /830

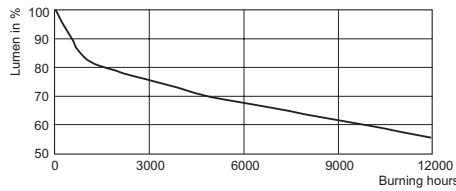
PGJ5 on electronic

gear

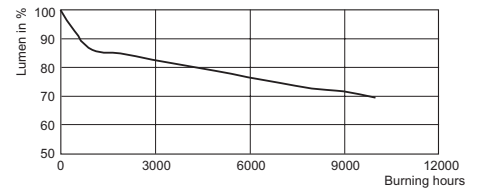


MASTERColour CDM-Tm Elite 20W /830 PGJ5 on

electronic gear



on electronic gear



on electronic gear

Environmental Characteristics

Order code	Full product name	Energy Efficiency Label (EEL)	Mercury (Hg) Content	Energy consumption kWh/1000h
928087905115	MasterColor CDM-TM 20W/830 T3.5 CL 1CT	A+	2.4 mg	24 kWh
-	-	-	2.4 mg	-
-	-	-	2.74 mg	-

Luminaire Design Requirements

Order code	Full product name	Cap-Base Temperature	Bulb Temperature
928087905115	MasterColor CDM-TM 20W/830 T3.5 CL 1CT	250 (max) C	380 (max) C
-	-	250 (max) C	380 (max) C
-	-	250 (max) C	480 (max) C



© 2014 Koninklijke Philips N.V. (Royal Philips)
All rights reserved.

Specifications are subject to change without notice. Trademarks are the property of Koninklijke Philips N.V. (Royal Philips) or their respective owners.

www.philips.com/lighting

2014, April 1
data subject to change