

Installation Guide

Philips MP5 Roll Stand Kit with Fixed Tilt Mount



The purpose of this guide is to:

1. Describe assembly of Roll Stand (pages 2 – 4).
2. Describe mounting of monitor on Roll Stand (pages 4 – 5).

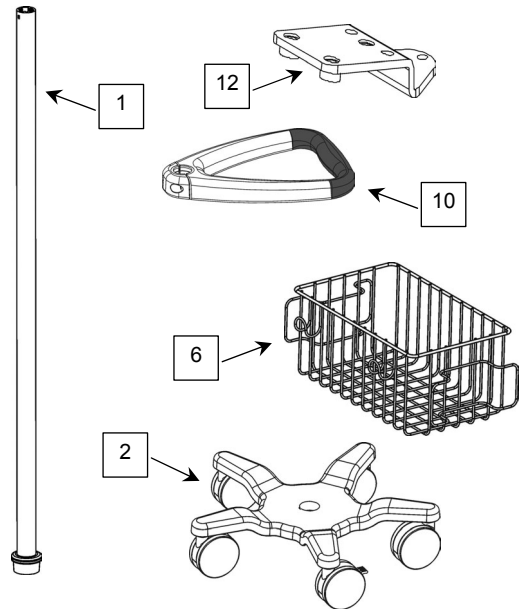


WARNING: USE OF THIS ROLL STAND FOR INSTRUMENTS OTHER THAN THOSE DESCRIBED IN THIS DOCUMENT MAY RESULT IN INJURY DUE TO TIPPING OF THE ROLL STAND. THE CUSTOMER SHOULD VERIFY THE STABILITY OF ANY DEVIATION FROM THE CONFIGURATIONS SHOWN.

Parts Reference

The following parts and hardware are included with this installation kit (hardware not shown):

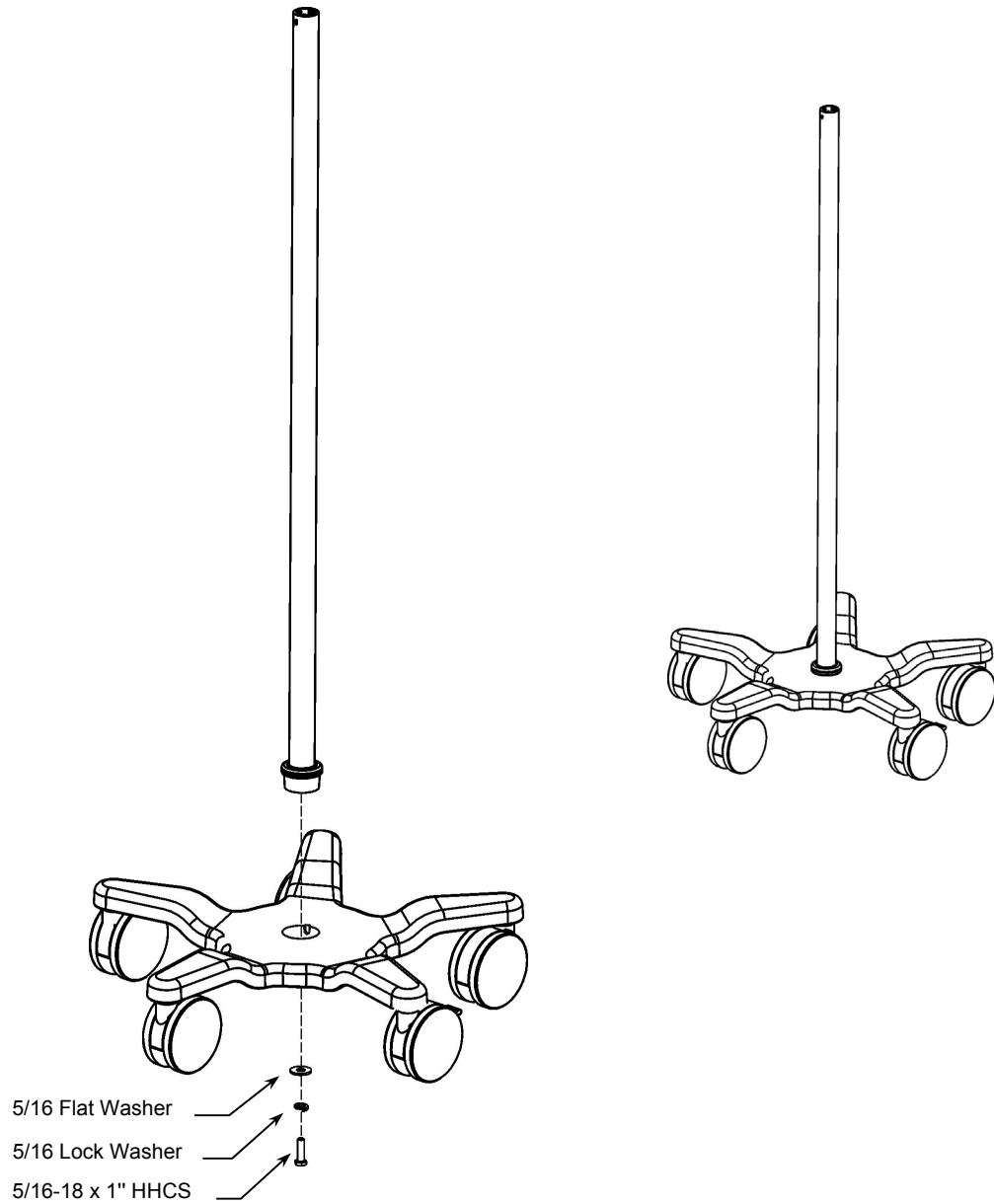
Item #	Description	Qty
1	Post, 40"	1
2	Base, 21"	1
3	5/16-18 x 1" Hex Head Cap Screw (HHCS)	1
4	5/16 Flat Washer	1
5	5/16 Split Lock Washer	1
6	Utility Basket	1
7	Basket Clip	2
8	#8-32 x 7/8" Pan Head Machine Screw (PHMS)	2
9	#8-32 Hex Nut	2
10	Handle	1
11	#10-32 x 9/16" PHMS	4
12	Fixed Tilt Mount	1
13	M6 x 10mm Flat Head Machine Screw (FHMS)	3
14	M6 x 8mm PHMS	2



Tools Required: Phillips screwdriver (not provided), 1/2" [13mm] wrench (not provided).

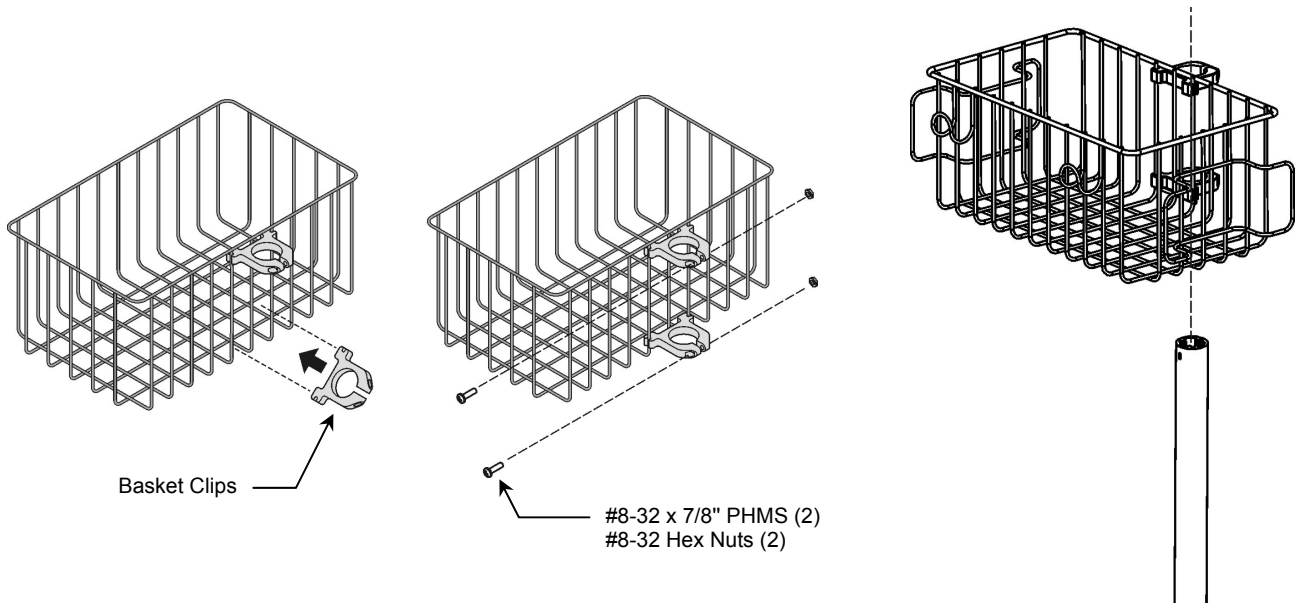
Assembling the Roll Stand

1. Insert bottom end of Post in center of Base and lay assembly on its side for access to bottom of base (not shown).
2. Using a 1/2" [13mm] wrench, fasten Post to Base with one (1) 5/16-18 x 1" HHCS, with 5/16 split lock washer, and 5/16" flat washer as shown below. Return Roll Stand to upright position.

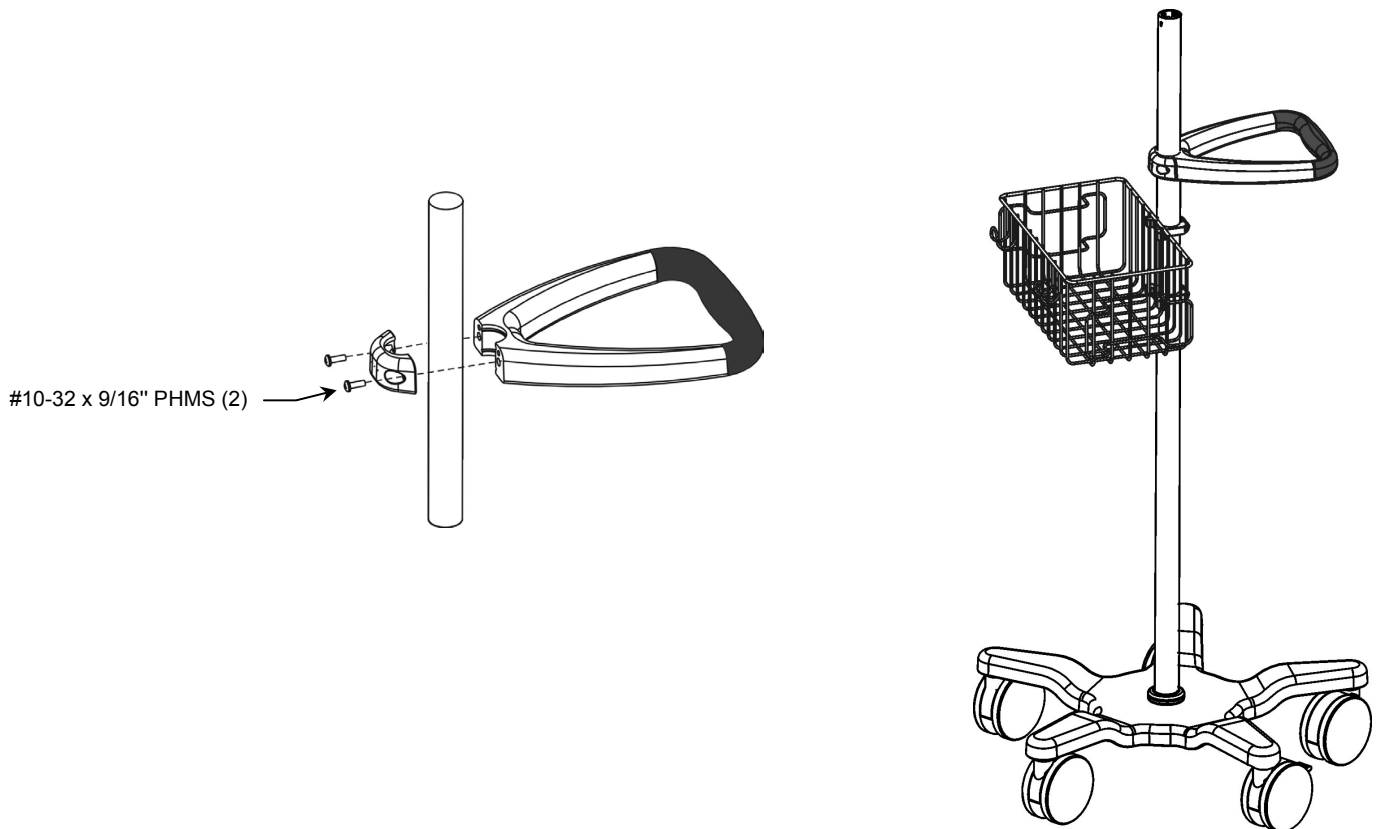


Attaching Utility Basket and Handle to Roll Stand Post

1. Attach two (2) Basket Clips to Utility Basket as shown below left. Insert two (2) #8-32 x 7/8" PHMS and #8-32 hex nuts in Basket Clips but do not tighten at this time.
2. Slide Basket Clips over top end of Roll Stand Post (below right) and move Basket to mounting position. Tighten screws in Basket Clips.

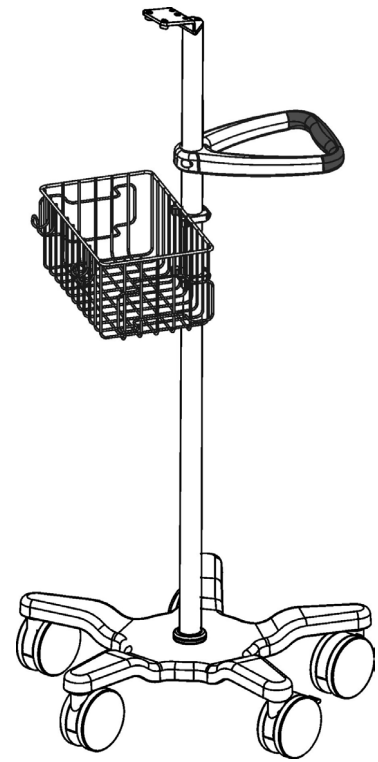
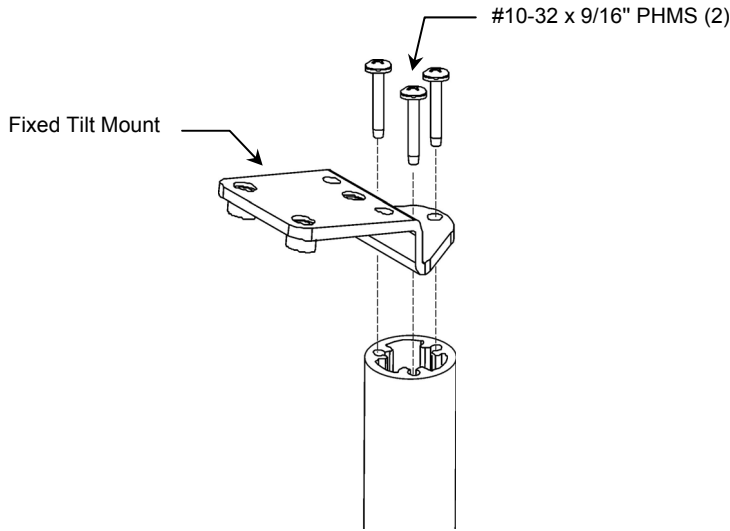


3. Position the Handle below the top of the Roll Stand Post opposite the Basket. Fasten Handle to Post with two (2) #10-32 x 9/16" PHMS as shown. Alternately tighten screws until Handle does not rotate on the Post.



Attaching Fixed Tilt Mount to Roll Stand Post

1. Align three (3) mounting holes in Fixed Tilt Mount with corresponding mounting holes in top of Post and fasten Mount to Post with three (3) #10 x 9/16" PHMS as shown below.

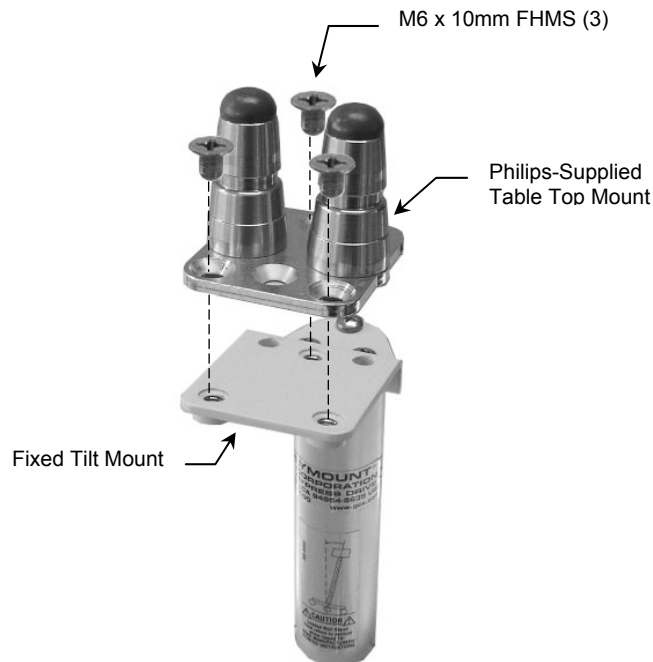


Mounting MP5 on the Roll Stand

The MP5 monitor will be equipped with one of two different mounting interfaces on the bottom of the monitor. The type of interface determines which mounting procedure to follow (see below and on page 5).

Mounting MP5 on Philips Table Top Mount (Requires Philips-supplied Table Top Mount)

1. Fasten the Philips-supplied table top mount to the Mounting Adapter with three (3) M6 x 10mm FHMS as shown below. Mount the monitor in accordance with Philips mounting instructions.



Mounting MP5 with Non-Table Top Mounting Adapter

1. Using a Phillips screwdriver, fasten monitor to Fixed Tilt Mount with two (2) M6 x 8 mm PHMS as shown.



Routine Maintenance

Periodically check all mounting hardware. Tighten as necessary for optimal operation.

Cleaning the Mounting Assembly

CAUTION: GCX makes no claims regarding the efficacy of the listed chemicals or processes as a means for controlling infection. Consult your hospital's infection control officer or epidemiologist. To clean or sterilize mounted instruments or accessory equipment, refer to the specific instructions delivered with those products.

1. The mounting assembly may be cleaned with most mild, non-abrasive solutions commonly used in the hospital environment (e.g. diluted bleach, ammonia, or alcohol solutions).
2. The surface finish will be permanently damaged by strong chemicals and solvents such as acetone and trichloroethylene.
3. Do not use steel wool or other abrasive material to clean the mounting assembly.
4. Damage caused by the use of unapproved substances or processes will not be covered by warranty. We recommend that you test any cleaning solution on a small area of the mounting assembly that is not visible to verify compatibility.
5. Never submerge or allow liquids to enter the mounting assembly. Wipe any cleaning agents off the mounting assembly immediately, using a water-dampened cloth. Dry all mounting assemblies thoroughly after cleaning.