

Installation Guide

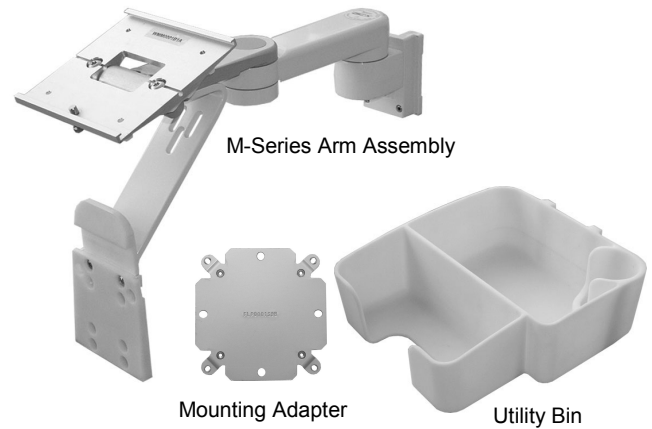
M-Series Arm and Utility Bin Kit Philips FM20/30 Monitor

The purpose of this guide is to describe mounting of Arm, attachment of Mounting Adapter, and mounting of monitor and Utility Bin.

Parts Reference

The following parts and hardware are included with this installation kit (see photo for parts; hardware not shown):

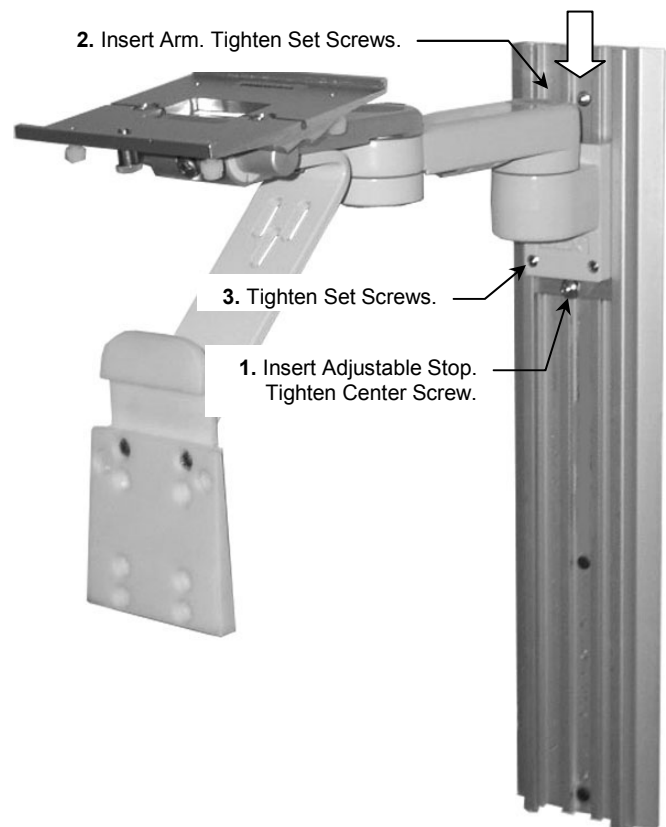
Item #	Description	Qty
1	M-Series Arm Assembly	1
2	Utility Bin	1
3	Mounting Adapter	1
4	M4 x 10 mm Pan Head Machine Screw (PHMS)	4
5	Adjustable Stop	1
6	1/8" Hex Key	1
7	5/32" Hex Key	1



Tools Required: Phillips screwdriver (not provided), 1/8" and 5/32" hex keys (provided).

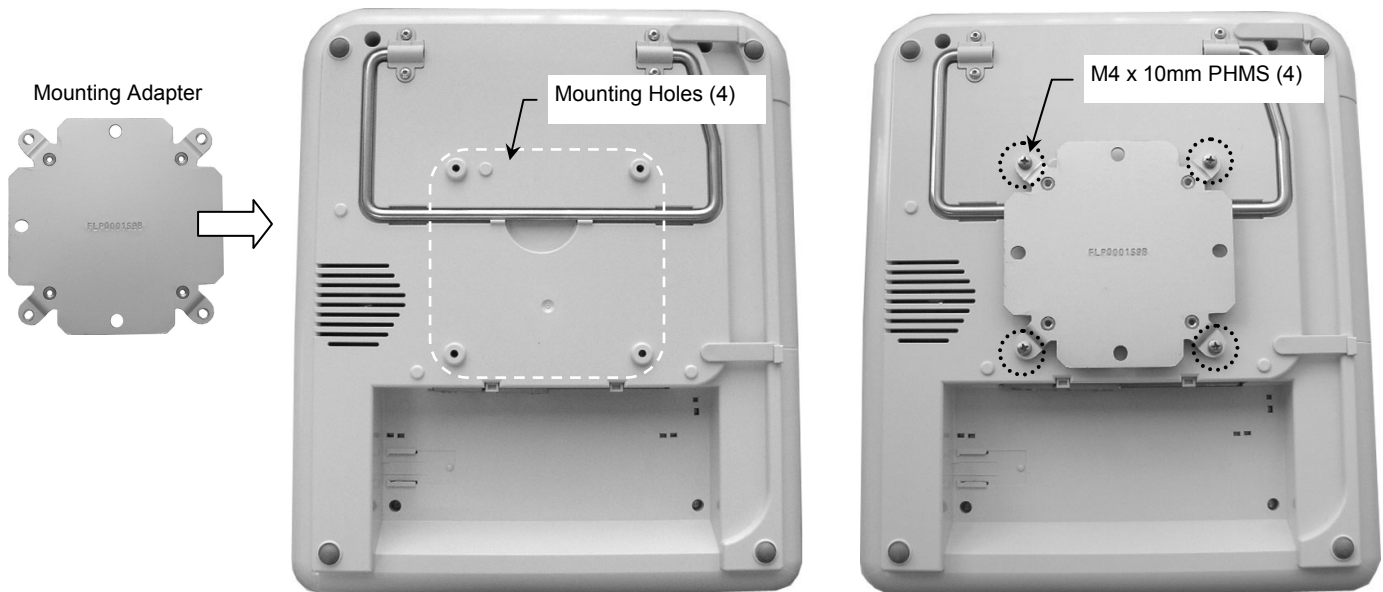
Mounting the Arm

1. Insert Adjustable Stop in Channel, move it to desired Arm-mounting position and tighten screw in center of Stop.
2. While supporting bottom of Arm, guide Slide (rear of Arm) into top of Channel. Slide Arm to Adjustable Stop.
3. Using the 1/8" hex key provided, tighten two (2) set screws at bottom of Slide.



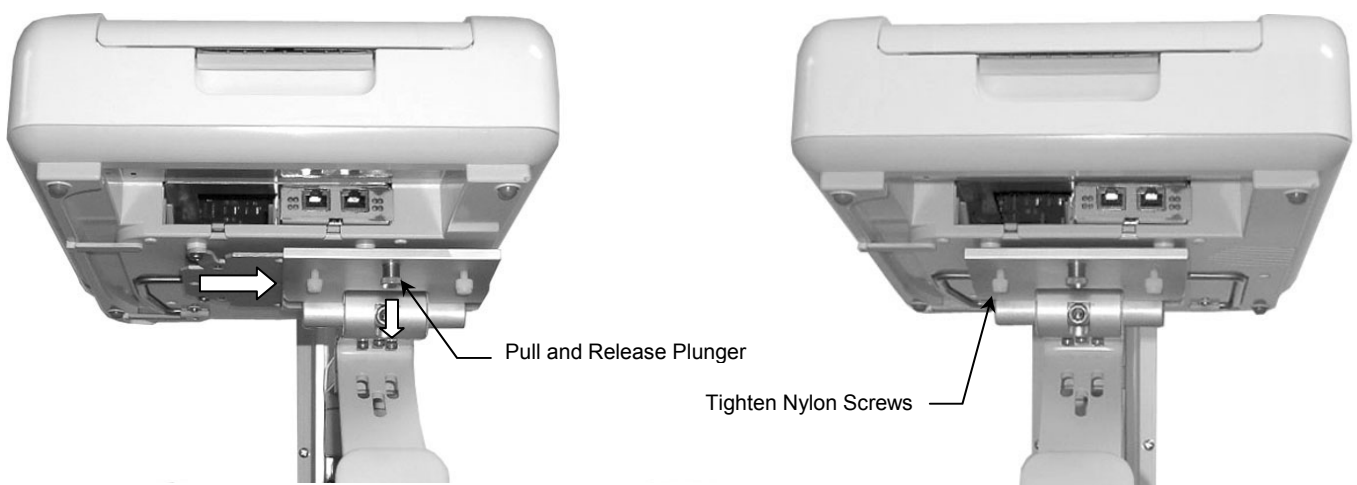
Attaching Mounting Adapter to Monitor

1. Align four (4) mounting holes in Mounting Adapter with corresponding mounting holes on bottom of monitor.
2. Fasten Mounting Adapter to bottom of monitor with four M4 x 10mm PHMS (right).



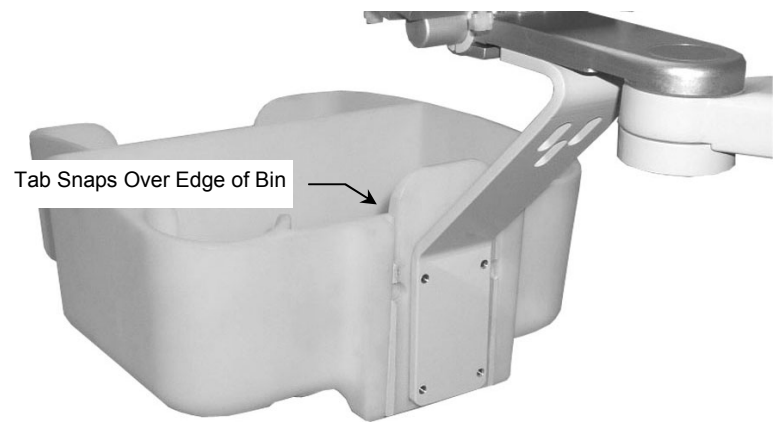
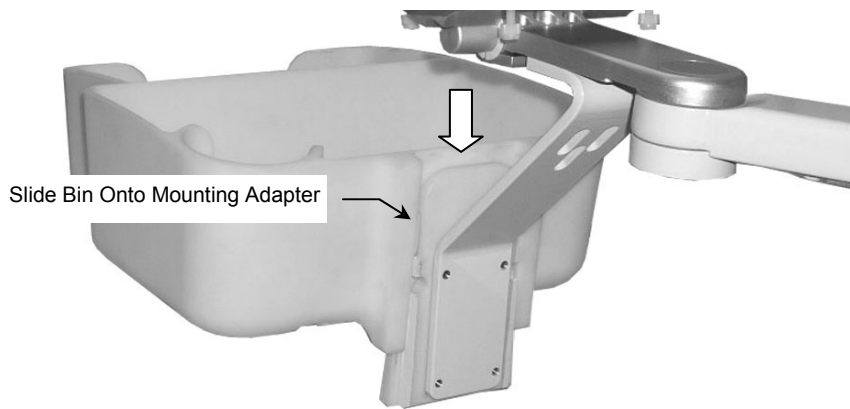
Mounting the Monitor on the Arm

1. Slide the Mounting Adapter (monitor attached) onto the Mounting Plate until the Adapter makes contact with the Plunger. Pull the Plunger downward and hold in position while sliding the Adapter over the Plunger. Release the Plunger and continue sliding the Monitor until the Plunger snaps into the Clearance Hole on the Adapter. Tighten the Nylon screws on the bottom of the Mounting Plate (not shown).



Mounting the Utility Bin on the Arm

1. Slide the Mount (rear of Utility Bin) onto Mounting Adapter until the Release/Locking Tab snaps into locking position over the rear edge of the Bin.



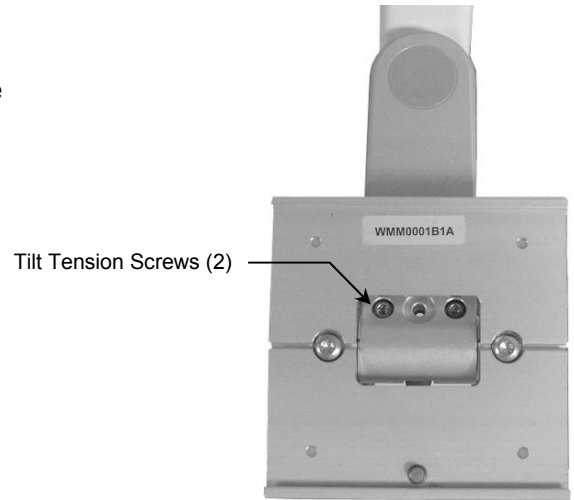
Adjusting Tilt and Tilt Tension

Tilting the Instrument

Grasp the top and/or bottom of the device and tilt to the desired angle

Adjusting Tilt Tension

Using the 5/32" hex key provided, adjust tilt tension by equally tightening or loosening the two (2) Tilt Tension Screws.

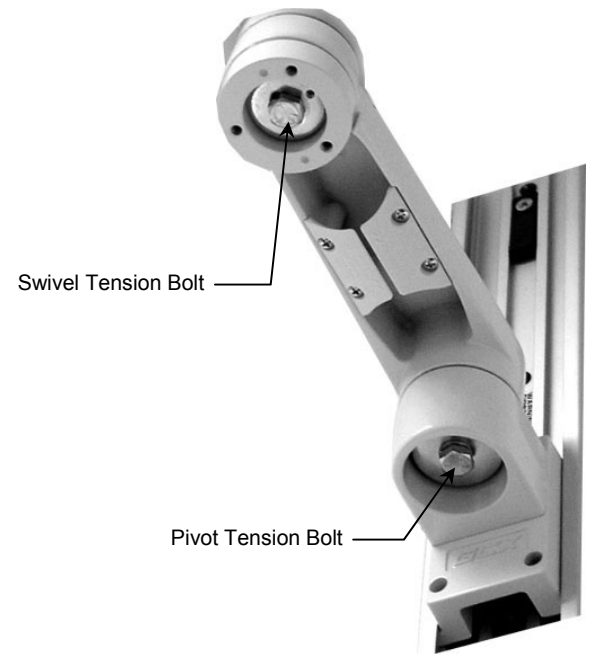


Pivoting the Arm

Push or pull on side of Arm.

Adjusting Pivot Tension

Tighten or loosen Pivot Tension Bolt using 1/2" [13 mm] socket wrench.



Swiveling the Monitor

Grasp sides of monitor and swivel to desired position.

Adjusting Swivel Tension

Remove bolt cap (not shown). Tighten or loosen Swivel Tension Bolt using 1/2" [13 mm] socket wrench. Replace bolt cap.