

## GCX Mounting Assembly Installation Guide

Philips MX800/MP20/30/40/50/60/70 IntelliVue (with AGM) Mounting Kit for Datex-Ohmeda Aestiva



*The purpose of this guide is to describe mounting of Philips MX800/MP20/30/40/50/60/70 IntelliVue Patient Monitor Kit on the Datex-Ohmeda Aestiva Anesthesia machine.*



**WARNING:** USE OF MOUNTING HARDWARE AND MONITORING COMPONENTS OTHER THAN THOSE DESCRIBED IN THIS DOCUMENT MAY RESULT IN SERIOUS INJURY DUE TO TIPPING OF THE ANESTHESIA MACHINE.

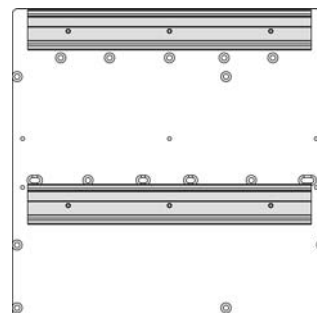
### Parts Reference

The parts list below includes parts and hardware that will be used in this installation procedure (see photos for parts; hardware not shown).

Item #	Description	Qty
1	Camlock Top Plate	1
2	M6 x 10mm Pan Head Machine Screw (PHMS)	2
3	Camlock Mount Assembly	1
4	M6 x 12mm Flat Head Machine Screw (FHMS)	1
5	M6 x 8mm FHMS	2
6	M4 x 20mm PHMS	2
7	#6-32 x 1/2" PHMS	1
8	5/32" Hex Key	1



Camlock Mount Assembly

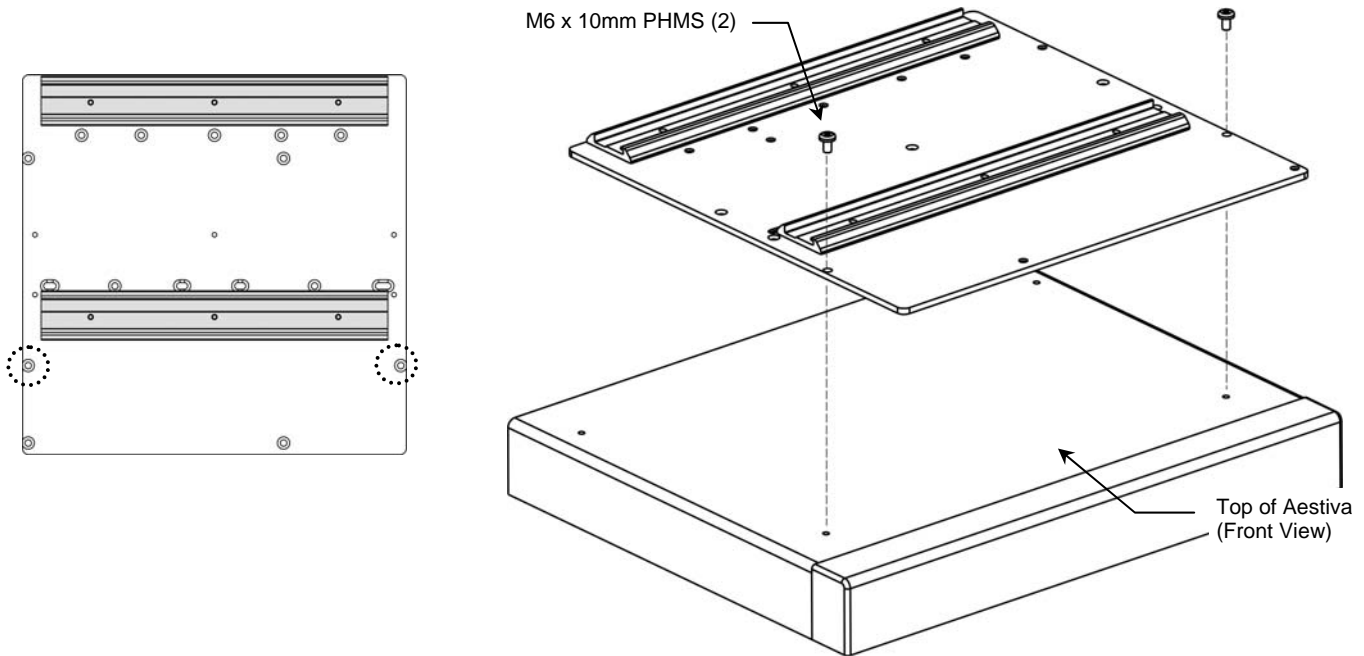


Camlock Top Plate

**Tools Required:** Phillips screwdriver, and 5/32" [4mm] hex key (provided).

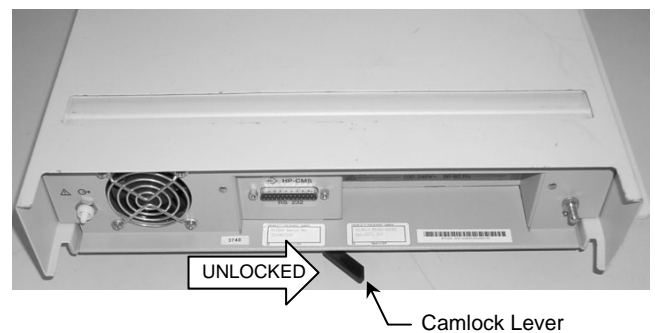
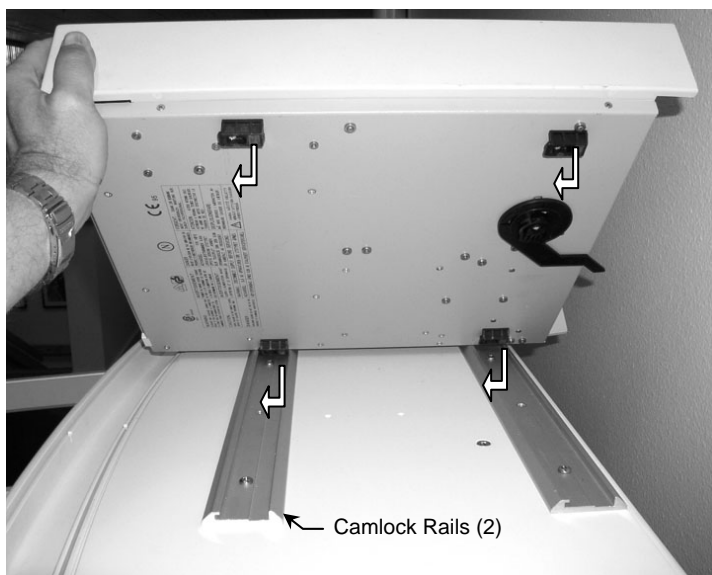
## Attaching the Camlock Top Plate

1. Locate two (2) mounting holes on top of anesthesia machine shown below right. Align Top Plate with mounting holes and fasten Plate to machine with two (2) M6 X 10 mm PHMS.



## Mounting AGM on Camlock Top Plate

1. Insert the four (4) feet (bottom of AGM) into the Camlock Rails (below left).  
**Installation Note:** Camlock Lever must be in the "unlocked" position when mounting feet in Rails. After inserting the feet, lock the Mount in place by moving the Camlock Lever from right to left (photos below right).

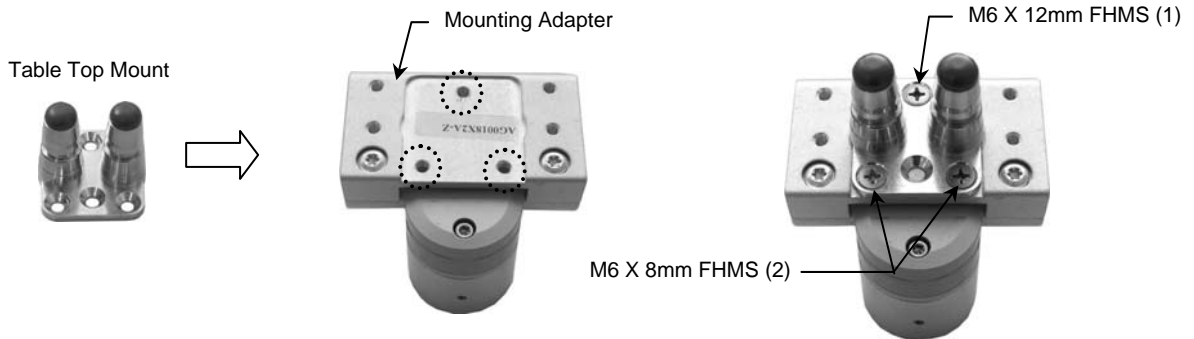


## Attaching the Table Top Mount to the Table Top Mounting Adapter

**Installation Note:** Table Top Mount is supplied by Philips.

**Tools Required:** Phillips screwdriver.

1. Fasten Table Top Mount to Mounting Adapter on Monitor Mount with one (1) M6 x 12mm FHMS and two (2) M6 x 8mm FHMS (see below).

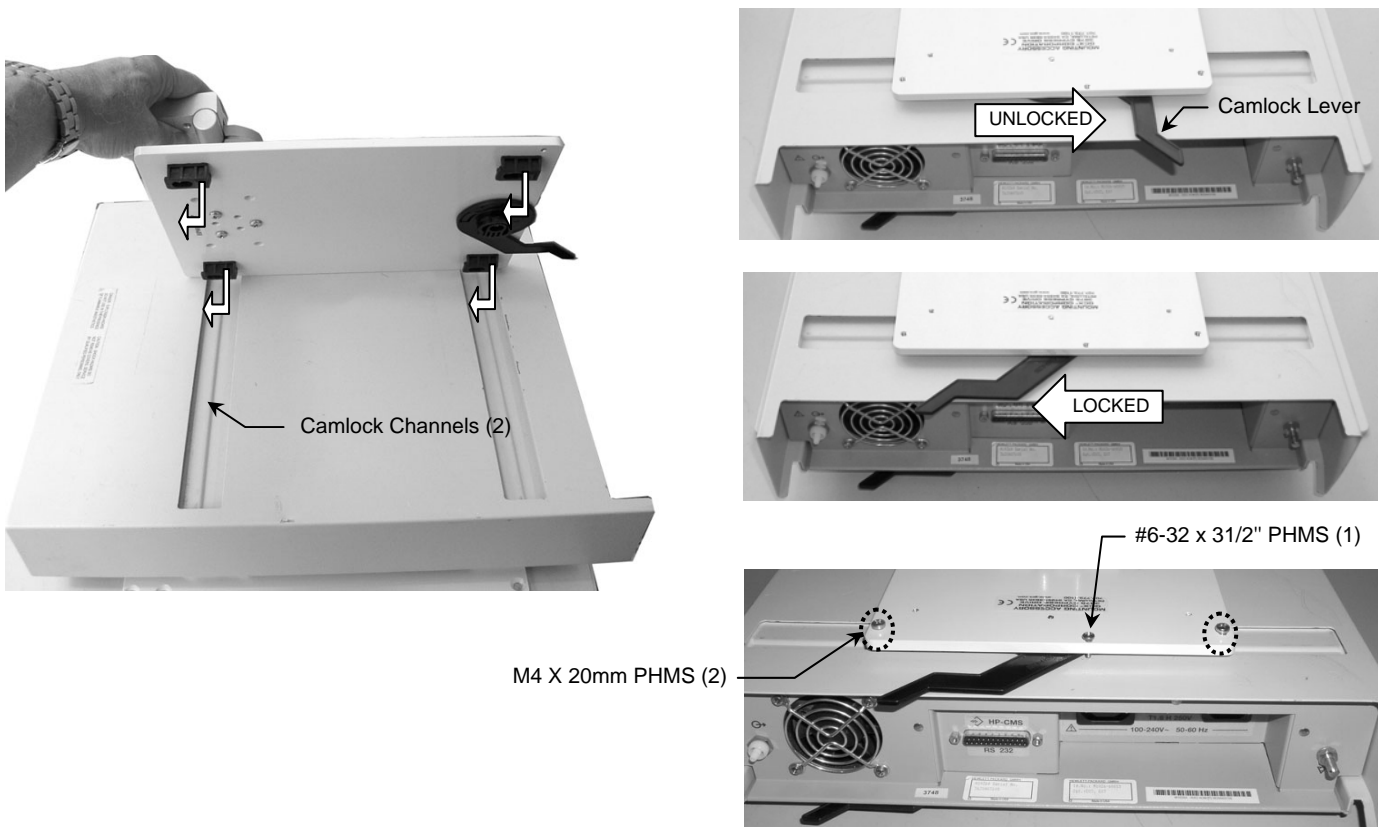


## Mounting Camlock Mount on AGM

1. Insert the four (4) feet (bottom of Camlock Mount) into the AGM camlock channels (below left).

**Installation Note:** Camlock Lever must be in the "unlocked" position when mounting feet in channels. After inserting the feet, lock the Mount in place by moving the Camlock Lever from right to left (below right).

2. To prevent the Camlock Lever from being unlocked, insert one (1) #6-32 x 1/2" PHMS in the threaded hole to the right of the Lever (bottom right photo). To further secure the Camlock Mount in the channels, insert one (1) M4 x 20mm PHMS in each of the two (2) threaded holes at the rear corners of the Mount (bottom right). **Installation Note:** Stop tightening these screws when they make contact with the bottom of the Rail.

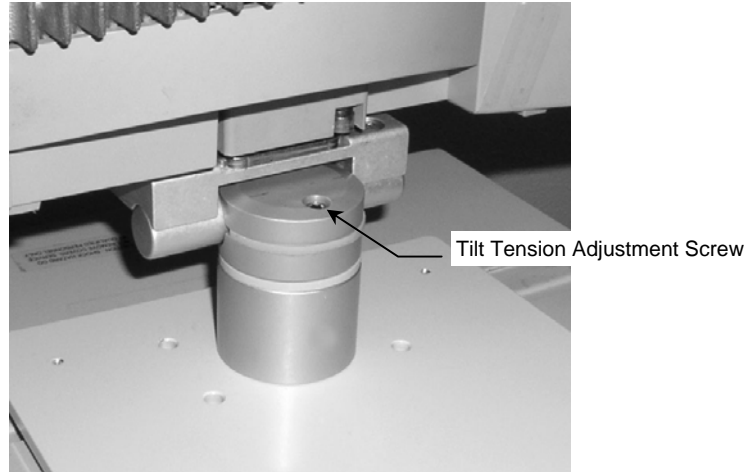


## Mounting the Monitor

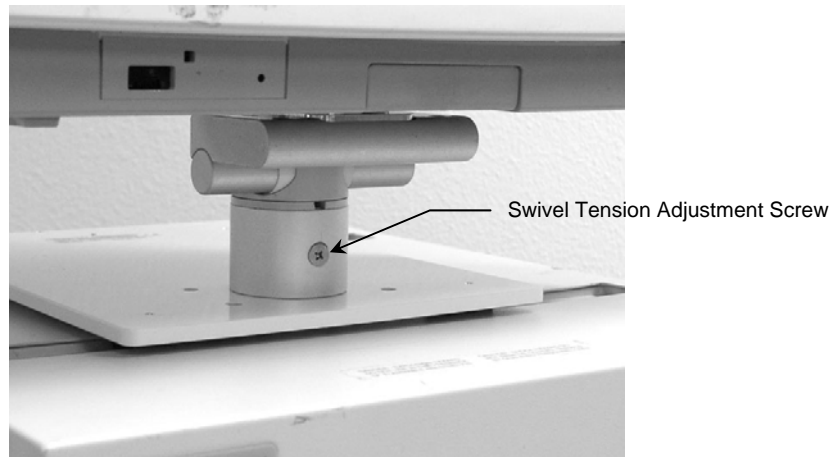
Mount the monitor in accordance with the Philips Table Mount instructions.

## Tilt and Swivel Tension Adjustments

**Tilt tension** is adjusted by tightening or loosening the socket-head screw on the top of the Mount. A 5/32" hex key is provided for this adjustment. **Installation Note:** This adjustment should be made while the monitor is mounted.



**Swivel tension** is adjusted by tightening or loosening the screw on the side of the column. **Installation Note:** This adjustment should be made while the monitor is mounted.

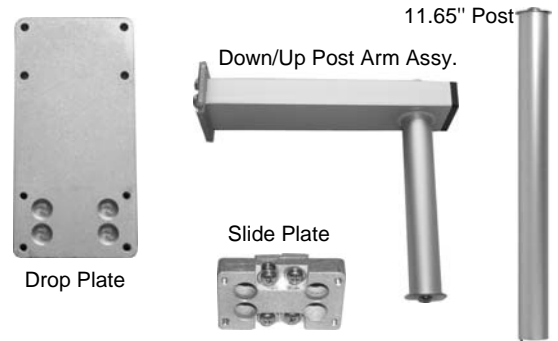


## Attaching the Boom Arm Down Post or Side Post Assembly

### Parts Reference

The following parts and hardware will be used in this installation (see photo for parts, hardware not shown):

Item #	Description	Qty
1	Down/Up Post Arm Assembly	1
2	#10-32 x 5/8" Pan Head Machine Screw (PHMS)	4
3	Slide Plate	1
4	Drop Plate	1
5	#10-32 x 3/4" PHMS	4
6	11.65" Post	1
7	5/32" Hex Key	1

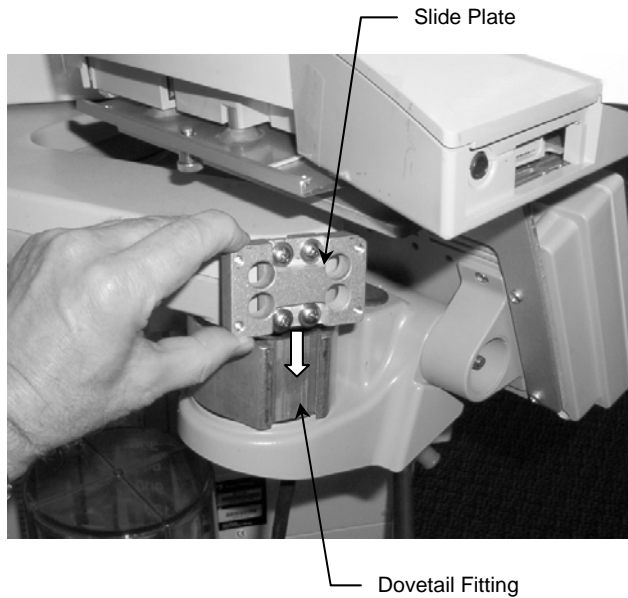


**Tools Required for This Task:** Phillips screwdriver, 5/32" hex key (provided for post replacement only).

**Installation Note:** An 11.65" Post is included in this kit for mounting dual module racks. Use the 5/32" hex key (provided) to replace the 6.9" Post with the 11.65" Post.

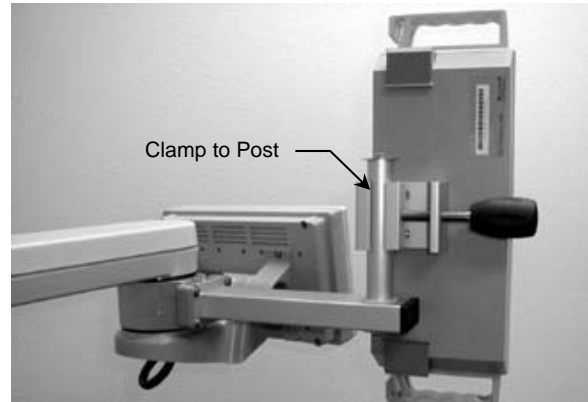
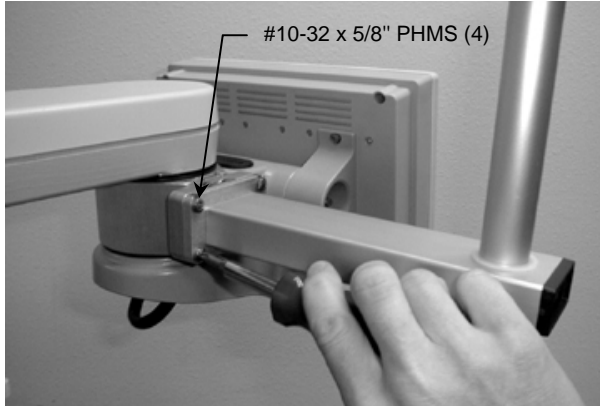
### Attaching Slide Plate to Boom Arm

1. Insert the Dovetail Runners (rear of Slide Plate) into the dovetail fitting on the Boom Arm (below left). Tighten the four (4) PHMS to secure the Slide Plate (below right).



### Attaching Arm as Up Post

1. Align Arm with Slide Plate (Post Up) and attach Arm to Plate with four (4) #10-32 x 5/8" PHMS (below left).
2. Clamp module rack (or other device with clamp) to the Post as shown (below right).



### Attaching Arm as Down Post

1. Align Arm with Drop Plate by fitting screw heads (Arm) into counterbores on Drop Plate. Secure Arm to Drop Plate with four (4) #10-32 x 5/8" PHMS (below left).



2. Attach Drop Plate to Slide Plate using four (4) #10-32 x 3/4" PHMS (below center and right). Clamp module rack (or other device with clamp) to the Post.

