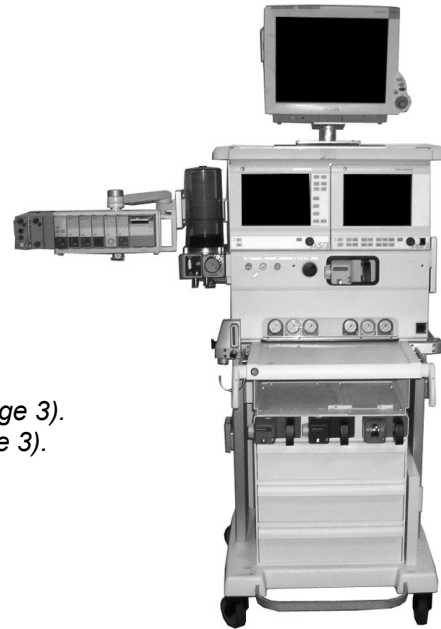


## Installation Guide

Philips MP40/50/60/70 Installation Kit with M-Series Arm for Datex-Ohmeda ADU Anesthesia Machine



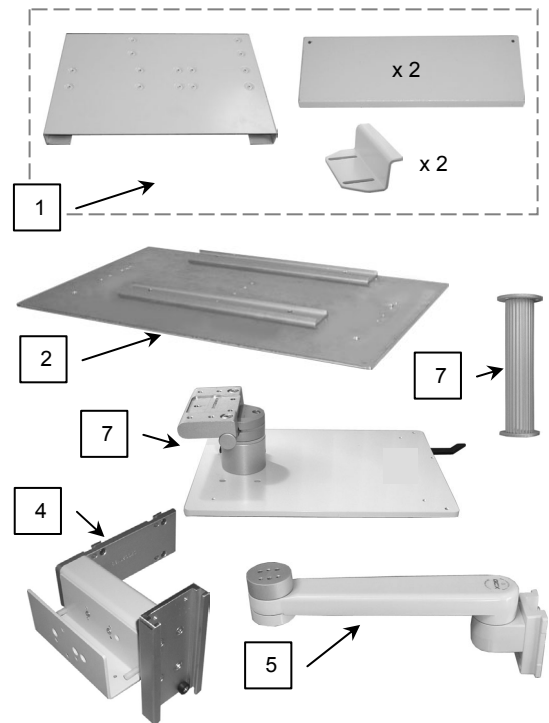
The purpose of this guide is to:

1. Describe installation of Counterweight (page 2).
2. Describe attachment of Top Plate to machine (page 2).
3. Describe mounting of Camlock/Tilt/Swivel Mount on Top Plate (page 3).
4. Describe attachment of table top mount to Mounting Adapter (page 3).
5. Describe installation of Extension/Channel assembly (page 4).
6. Describe attachment of Down Post to M-Series Arm (page 6).
7. Describe mounting of M-Series Arm in Channel (page 6).

### Parts Reference

The following parts and hardware are included with this installation kit (hardware not shown).

Item #	Description	Qty
1	Counterweight Kit (includes installation guide & hardware)	1
2	Top Plate/Camlock Rail Assembly	1
3	M5 x 45mm Flat Head Machine Screw (FHMS)	4
4	Extension with 4" Channel (includes hardware)	1
5	M-Series Arm, 12"	1
6	Down Post, 6"	1
7	#10-32 x 3/8" SHCS	3
8	Camlock Mount with Tilt/Swivel Column	1
9	M6 x 12mm Flat Head Machine Screw (FHMS)	1
10	M6 x 8mm FHMS	2
11	M4 x 20mm PHMS	2
12	#6-32 x 1/2" PHMS	1
13	1/8" Hex Wrench	1
14	5/32" Hex Wrench	1



**Tools required:** 5/32" and 1/8" hex wrenches (provided). Phillips screwdriver, ruler, and 1/2" socket wrench (not provided).

## Installing the Counterweight on the Anesthesia Machine



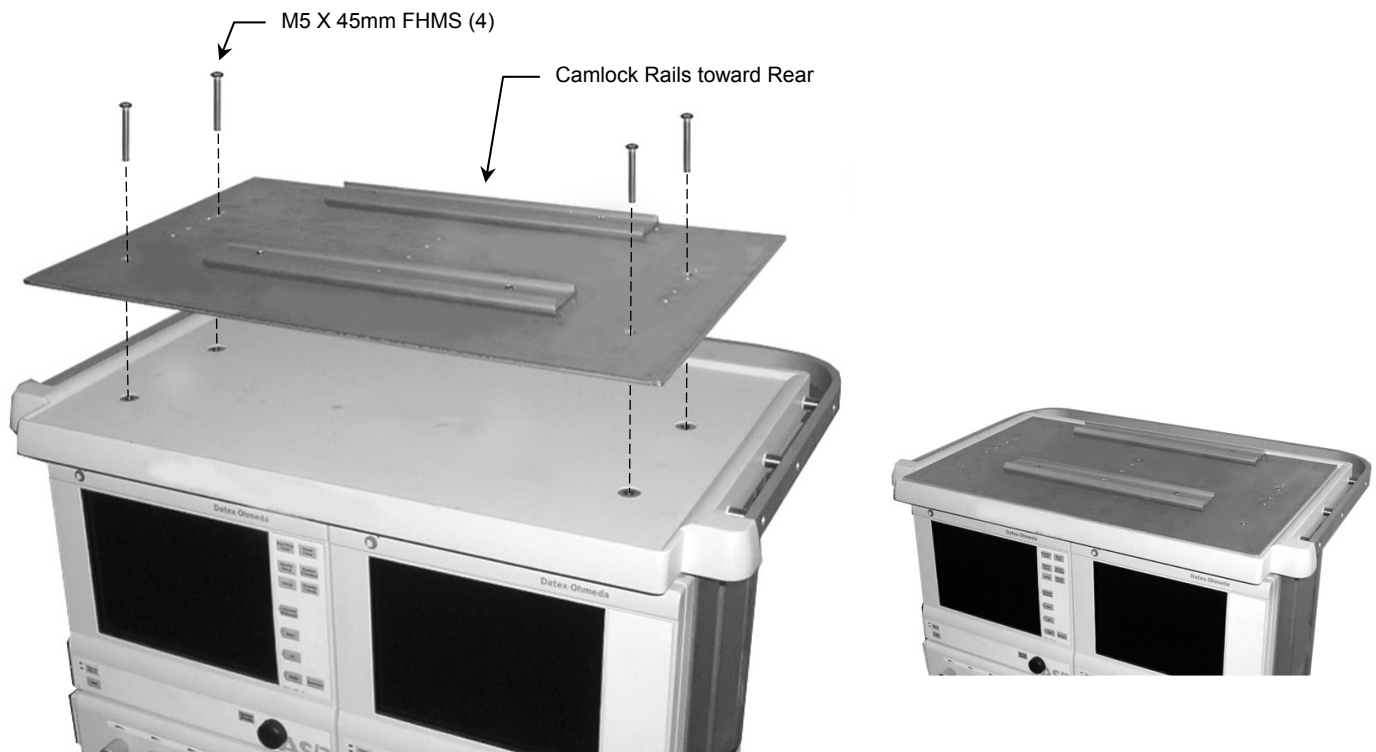
**WARNING: The Counterweight must be installed on the side opposite the instrument mounting system and must be installed before mounting any instruments.**

1. Install Counterweight according to detailed installation guide (DU-DX-0021-99) provided with Counterweight Kit.



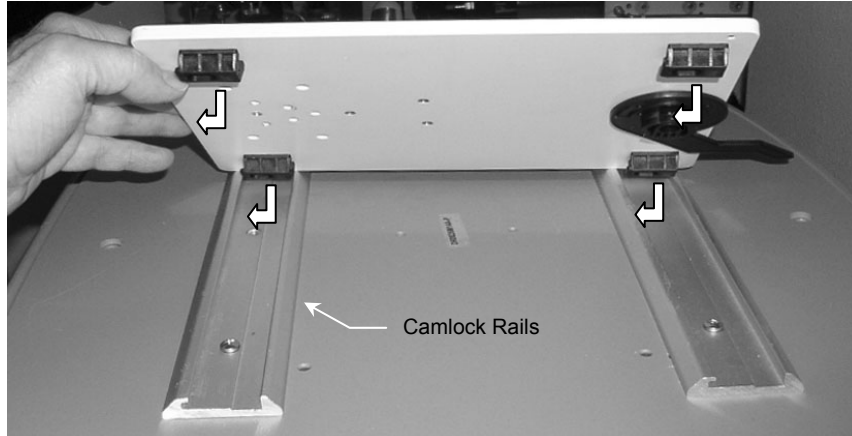
### Attaching Top Plate/Camlock Rail Assembly to Machine

1. Using a 5/32" hex wrench, unscrew four (4) screws from top of machine (not shown). **Do not remove top from machine.** These screws will not be used again in this installation procedure.
2. Orient Camlock Rails toward rear of machine and fasten Top Plate to machine with four (4) M5 x 45mm FHMS as shown below.

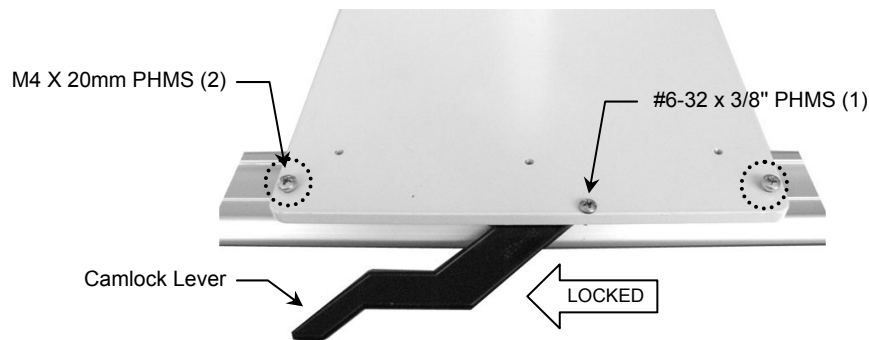


## Mounting Camlock Mount in Camlock Rails

1. Insert four (4) feet (bottom of Camlock Mount) into Camlock Rails. Installation Note: Camlock Lever must be in the "unlocked" position when mounting feet in Rails.



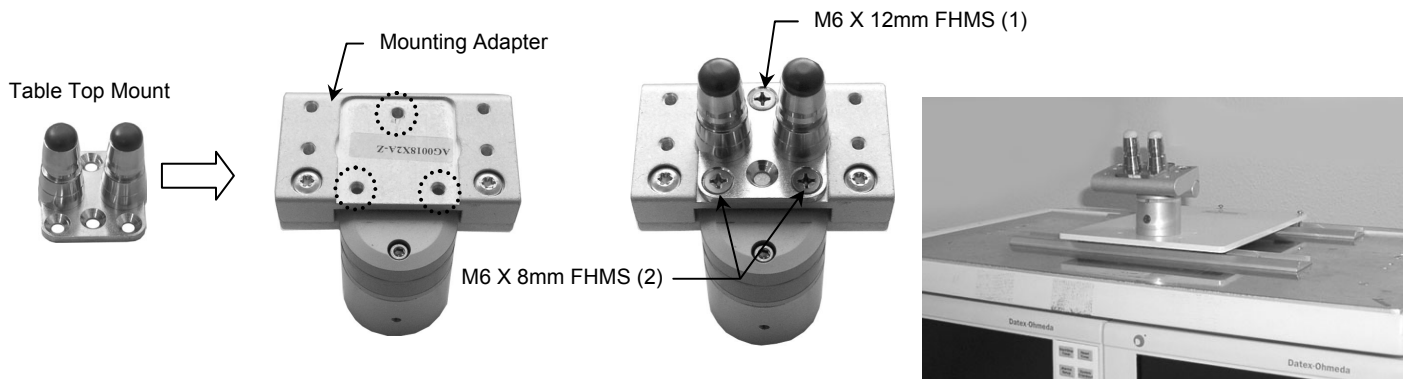
2. Move Camlock Lever from right to left to lock Mount in Rails. To prevent Camlock Lever from being unlocked, insert one (1) #6-32 x 3/8" PHMS in threaded hole to the right of Lever. Insert one (1) M4 x 20mm PHMS in each of the two (2) threaded holes at rear corners of the Mount as shown below. Stop tightening when screws contact bottom of Rail.



## Attaching Table Top Mount to Mounting Adapter

**Installation Note:** Table Top Mount is supplied by Philips.

1. Fasten Table Top Mount to Mounting Adapter with one (1) M6 x 12mm FHMS and two (2) M6 x 8mm FHMS.



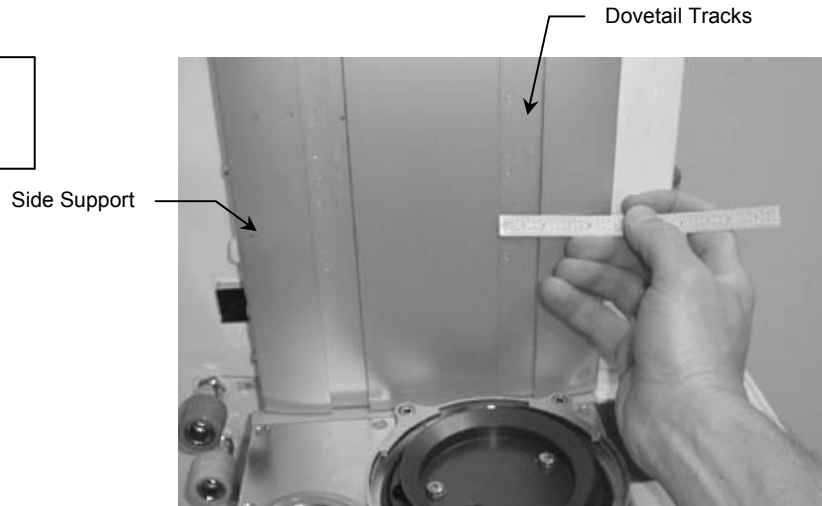
## Installing Extension/Channel Assembly on Side of Machine

### Determining Dovetail Type (Ohmeda or Dameca)

**Installation Note:** Ohmeda dovetail is 1-1/32" [26mm] wide. Dameca dovetail is 7/8" [22mm] wide. Newer ADU machines will typically have Ohmeda dovetail.

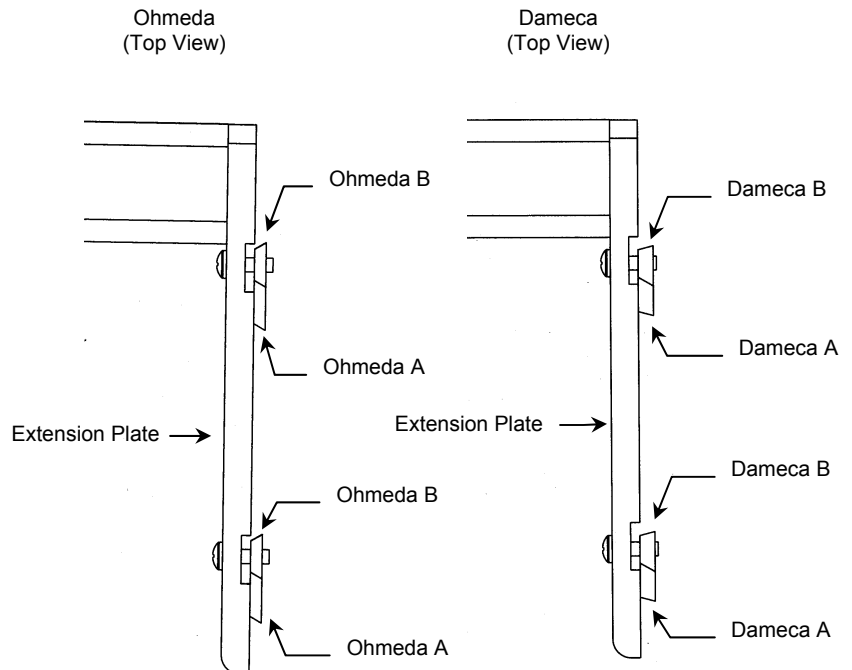
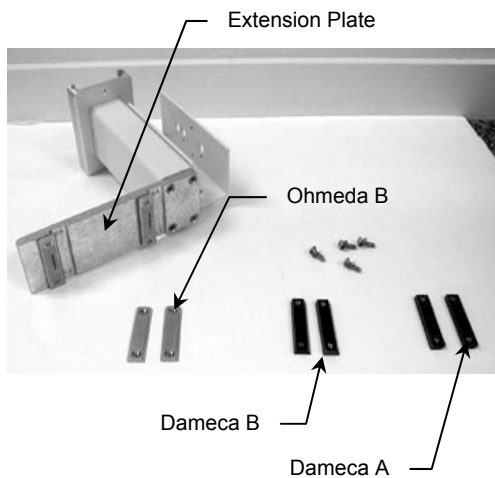
1. Locate the silver side support with dovetail tracks on either side of machine.
2. Measure the width of the dovetail track. Identify dovetail type from *Installation Note* below.

**Ohmeda** Dovetail = 1-1/32" [26mm] Wide  
**Dameca** Dovetail = 7/8" [22mm] Wide

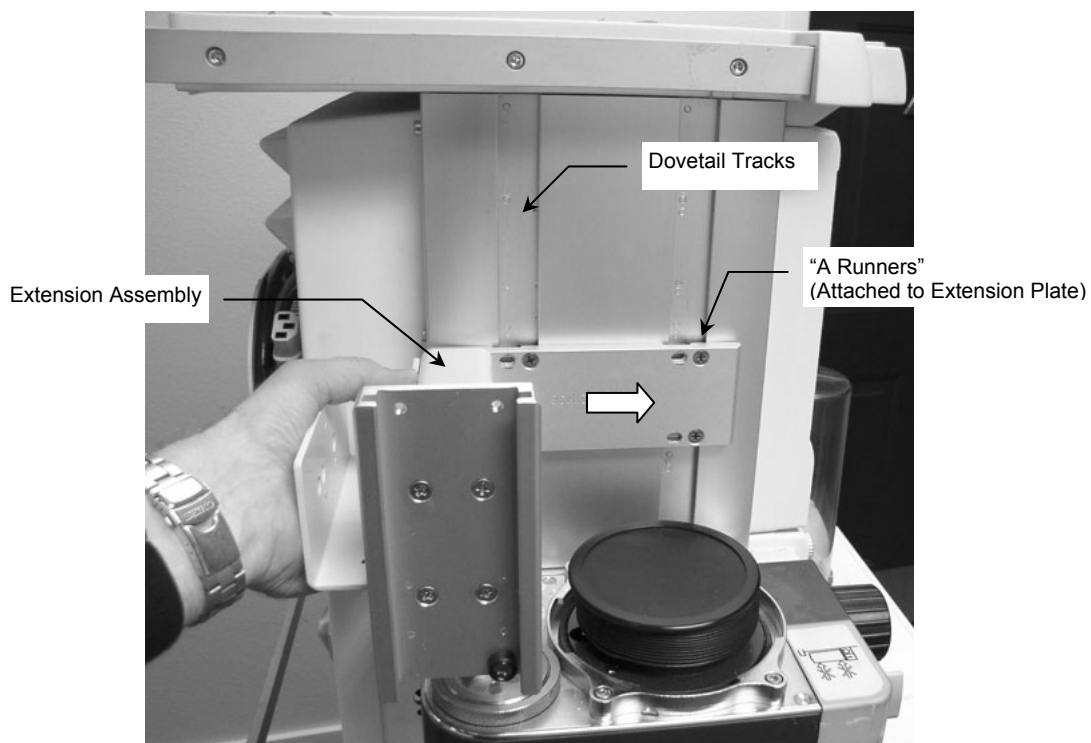


### Installing Dovetail "Runners" on Extension Plate and Mounting

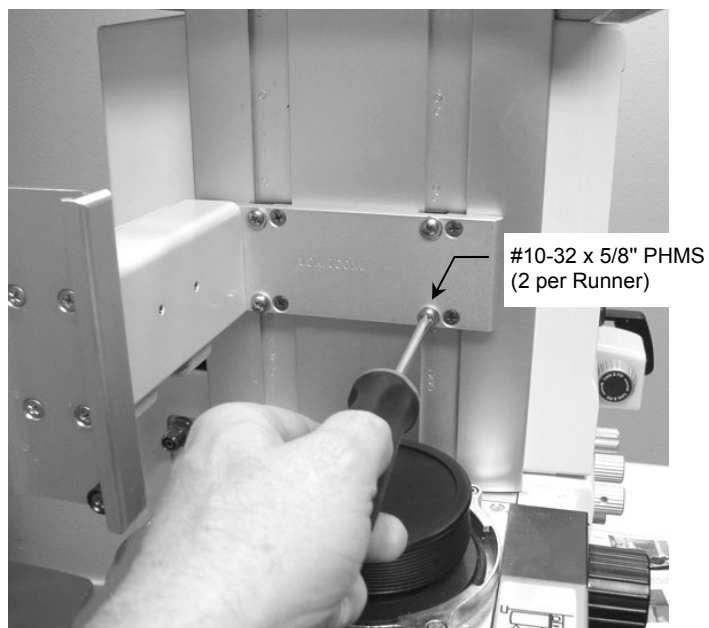
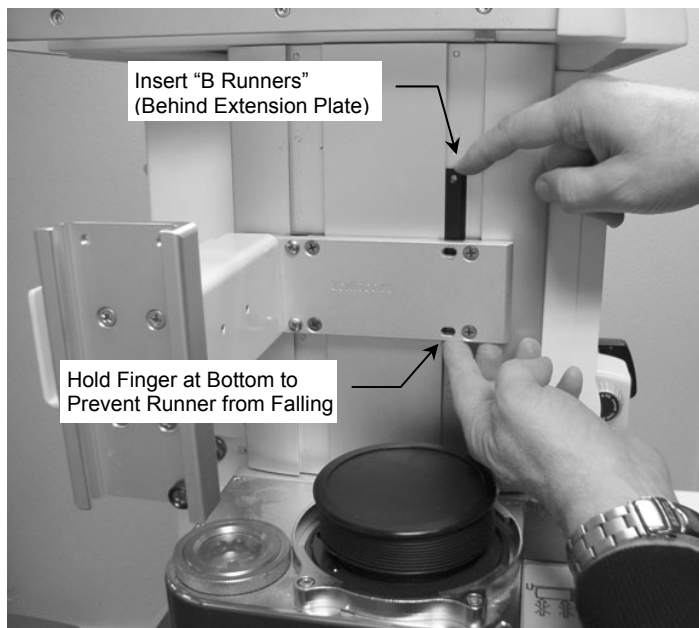
**Installation Note:** Runners are included for both types of dovetail tracks (Ohmeda and Dameca). The Extension Plate is shipped with Ohmeda type (silver) "A Runners" installed. If you have a Dameca track, remove the silver "A Runners" and install the two (2) black Dameca type "A Runners" on the Extension Plate. There are also black and silver "B Runners" which will be installed later. See illustrations below for proper placement of silver and black Runners.



1. Orient Extension as shown and insert the "A Runners" in the dovetail tracks in side support.

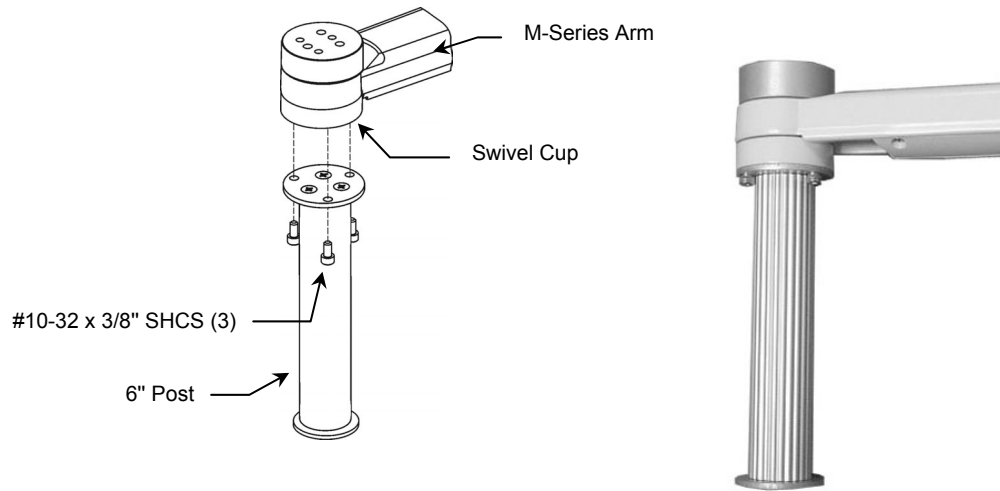


2. Insert "B Runners" in tracks as shown and secure each Runner with two (2) #10-32 x 5/8" PHMS and washers. Position Extension vertically at required mounting position and tighten all screws to secure Extension in tracks.



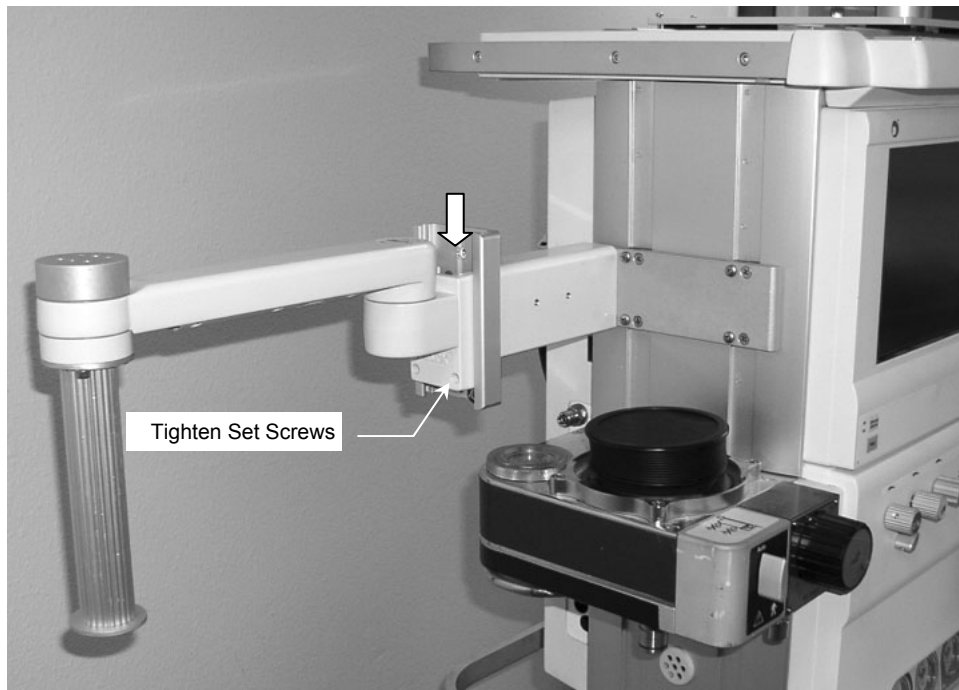
### Attaching Down Post to M-Series Arm

1. Remove plastic bolt cap from bottom of Swivel Cup (not shown).
2. Using the 5/32" hex wrench provided, fasten Post to Swivel Cup with three (3) #10-32 x 3/8" SHCS as shown below.



### Mounting M-Series Arm in Channel

1. Insert Slide (rear of Arm) into top of channel and move to desired mounting position. Using 1/8" hex wrench provided, tighten two socket set screw at bottom of Slide.



## Mounting Monitor on Table Top Mount

Mount the monitor in accordance with the Philips Table Top Mount instructions.

## Mounting FMS on Down Post

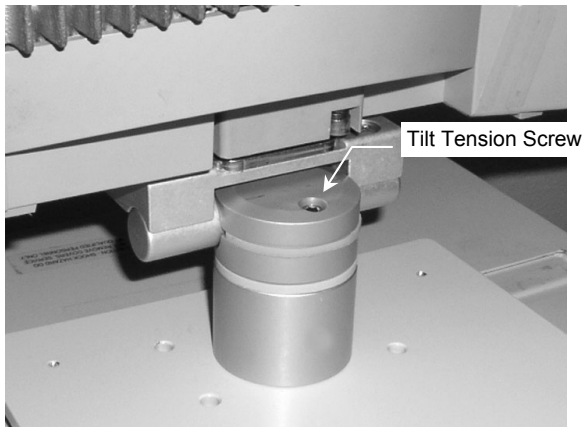
Mount FMS on Down Post with Philips-provided universal clamp.

## Tilt and Swivel Tension Adjustments

**Tilt tension** is adjusted by tightening or loosening the socket-head screw on the top of the Mount. A 5/32" hex key is provided for this adjustment. **Installation Note:** This adjustment should be made while the monitor is mounted.

**Swivel tension** is adjusted by tightening or loosening the screw on the side of the column.

**Installation Note:** This adjustment should be made while the monitor is mounted.



## Routine Maintenance

Periodically check all mounting hardware. Tighten as necessary for optimal operation.

## Cleaning the Mounting Assembly

**CAUTION:** GCX makes no claims regarding the efficacy of the listed chemicals or processes as a means for controlling infection. Consult your hospital's infection control officer or epidemiologist. To clean or sterilize mounted instruments or accessory equipment, refer to the specific instructions delivered with those products.

1. The mounting assembly may be cleaned with most mild, non-abrasive solutions commonly used in the hospital environment (e.g. diluted bleach, ammonia, or alcohol solutions).
2. The surface finish will be permanently damaged by strong chemicals and solvents such as acetone and trichloroethylene.
3. Do not use steel wool or other abrasive material to clean the mounting assembly.
4. Damage caused by the use of unapproved substances or processes will not be covered by warranty. We recommended that you test any cleaning solution on a small area of the arm that is not visible to verify compatibility.
5. Never submerge or allow liquids to enter the mounting assembly. Wipe any cleaning agents off the mounting assembly immediately, using a water-dampened cloth. Dry all parts thoroughly after cleaning.