

Installation Guide

Top Plate with Camlock Rails for Counter Top



The purpose of this guide is to describe mounting of Top plate on counter top.

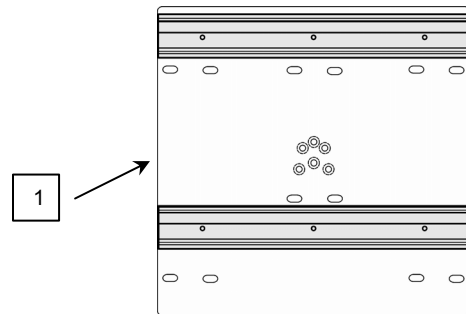


WARNING: It shall be the responsibility of the installer to determine whether the counter top surface will support the weight of the Mount and any mounted instruments or accessories.

Parts Reference

The following parts are included in this installation kit (hardware not shown):

Item #	Description	Qty
1	Top Plate/Camlock Rail Assembly	1
2	1/4-20 x 1-3/4" Carriage Bolt	4
3	1/4-20 x 3/4" Carriage Bolt	4
4	1/4" Flat Washer	4
5	1/4-20 Kep Nut	4
6	#10 x 1" Pan Head Sheet Metal Screw (PHSMS)	4

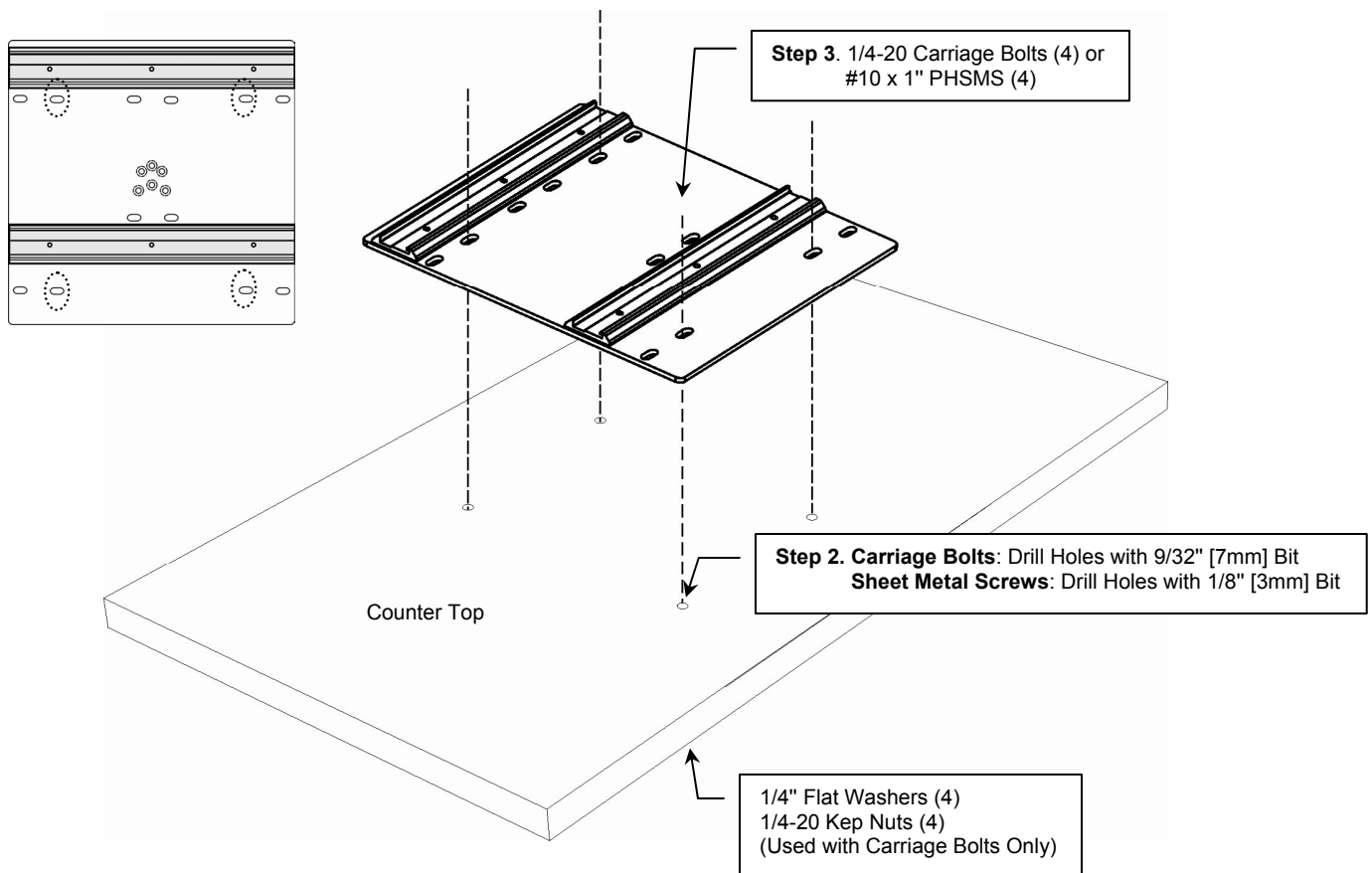


Tools required: Drill, 9/32" [7mm] or 1/8" [3mm] drill bit, 7/16" wrench, and Phillips screwdriver (tools not provided).

Mounting the Camlock Rail Mount on a Counter Top

Installation Note: This installation kit is intended for use on counter tops from **3/4" [18mm] to 1" [25mm]** thick. Hardware is provided for two (2) different methods of attachment to the counter top: **1)** Top Plate is attached to counter top with carriage bolts, nuts and washers. This is the preferred method of attachment. **2)** Top Plate is attached to counter top with pan head sheet metal screws. **CAUTION: If this method of attachment is used, it shall be the installer's responsibility to determine the safety and stability of the installation.**

1. Determine whether carriage bolts or sheet metal screws will be used to attach Top Plate to counter top.
2. **Carriage bolts:** Using Top Plate as a template, drill four (4) holes in the counter top with a 9/32" [7mm] drill bit.
Sheet metal screws: Using Top Plate as a template, drill four (4) holes in the counter top with a 1/8" [3mm] drill bit.
3. Fasten Top Plate to counter top with four (4) 1/4-20 carriage bolts, four (4) 1/4" flat washers, and four (4) 1/4-20 kep nuts. Carriage Bolts are inserted through the Base Plate from the top.
Optional: Fasten Top Plate to counter top with four (4) #10 x 1" PHSMS.



Mounting Instruments in Camlock Rails



CAUTION: The weight of mounted instrument(s) should not exceed 30 lbs [13.6 kg] or extend more than 3" [7.5cm] beyond the outer dimensions of the Top Plate.

Follow mounting instructions for the specific Camlock Rail-mounted instrument or secondary mounting system.