

## Installation Guide

### Philips MP2 Post/Rail/Channel Mounting Kit

The purpose of this guide is to:

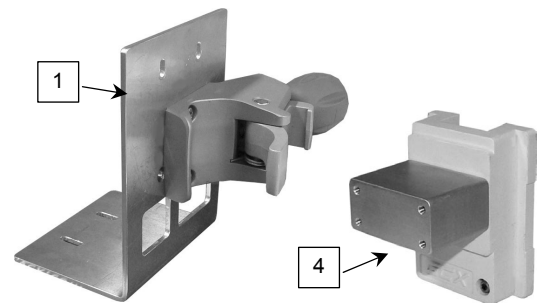
1. Describe mounting of MP2 on post (pages 1 - 2)
2. Describe mounting of MP2 on rail (page 2).
3. Describe mounting of MP2 in channel (pages 3 - 4).



### Parts Reference

The following parts and hardware are included with this installation kit (hardware not shown):

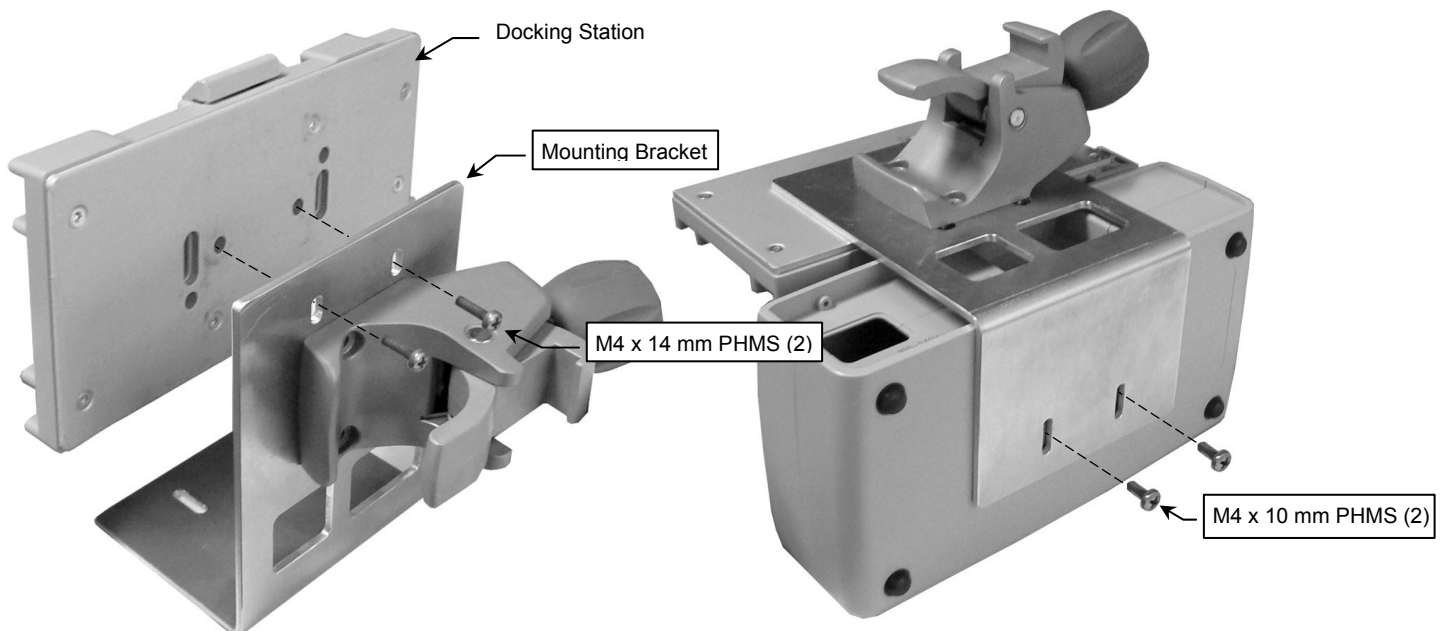
Item #	Description	Qty
1	Mounting Bracket/PRC Assembly	1
2	M4 x 14 mm Pan Head Machine Screw (PHMS)	2
3	M4 x 10 mm PHMS	2
4	Channel Mount	1
5	M4 x 10 mm Flat Head Machine Screw (FHMS)	3
6	Adjustable Stop	1



**Tools Required:** Phillips screwdriver (not provided).

### Mounting Docking Station and Power Supply on a Post

1. Fasten docking station to Mounting Bracket with two (2) M4 x 14 mm PHMS as show below left.
2. Fasten power supply to bottom of Mounting Bracket with two (2) M4 x 10 mm PHMS as shown below right.



## Mounting on Post

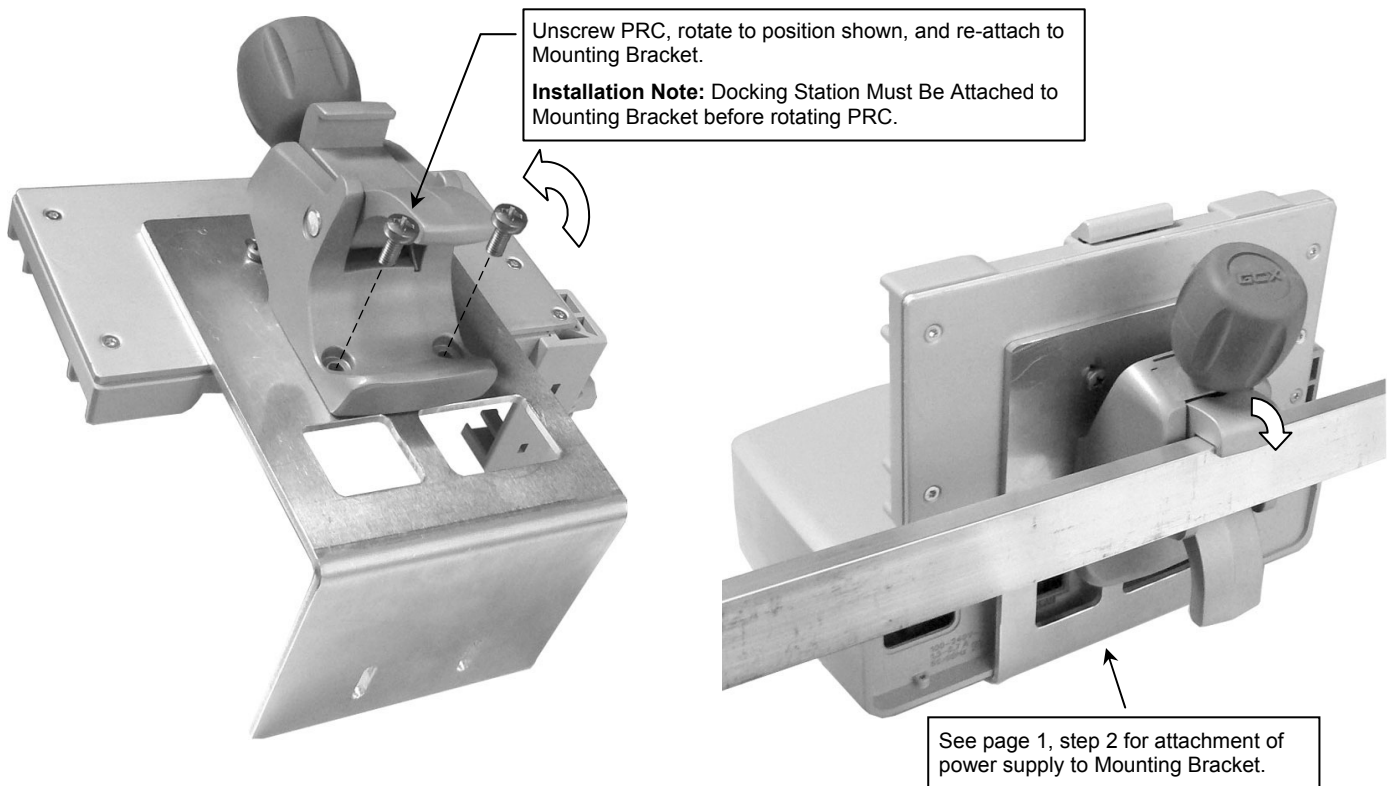
1. Clamp PRC onto post as shown and tighten Clamping Knob.  
Mount monitor according to Philips instructions.



## Mounting Docking Station and Power Supply on Rail

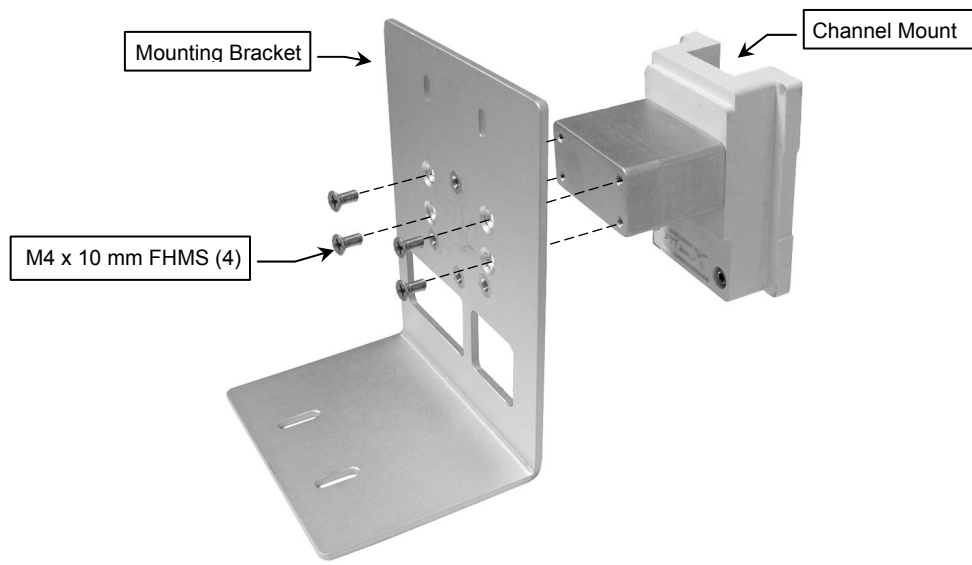
**Installation Note:** Docking station must be attached to Mounting Bracket before PRC is rotated. See page 1, step 1 for attachment of docking station. Power supply attachment is same as page 1, step 2.

1. Unscrew PRC from Mounting Bracket (not shown), rotate Clamping Knob 90° (Knob pointing upward) and re-attach to Mounting Bracket as shown below.
2. Hook PRC over rail and tighten Clamping Knob (below right).

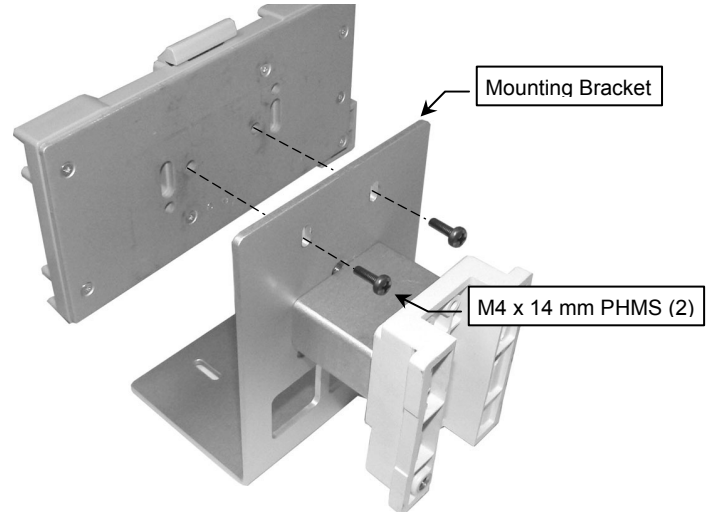


## Mounting Docking Station and Power Supply in Channel

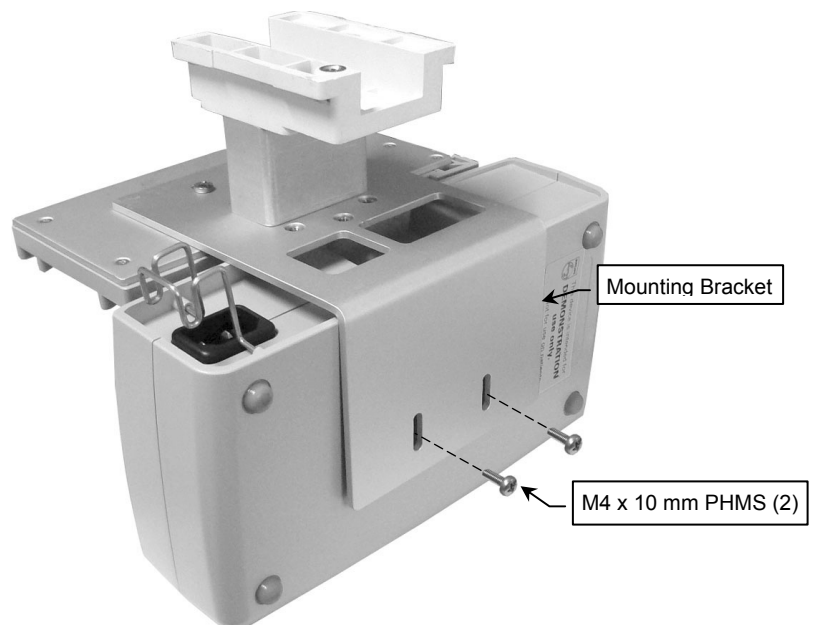
1. Fasten Mounting Bracket to Channel Mount with four (4) M4 x 10 mm FHMS as shown below.



2. Fasten docking station to Mounting Bracket with two (2) M4 x 14 mm PHMS as shown (right).



3. Fasten power supply to Mounting Bracket with two (2) M4 x 10 mm PHMS as shown (right).



4. Insert Adjustable Stop in channel and move to desired equipment mounting position (below left). Tighten center screw in Adjustable Stop.
5. Insert Channel Slide in channel and guide mounted equipment to rest against Adjustable Stop (below center).



### Routine Maintenance

Periodically check all mounting hardware. Tighten as necessary for optimal operation and safety.

### Cleaning the Mounting Assembly

**CAUTION:** GCX makes no claims regarding the efficacy of the listed chemicals or processes as a means for controlling infection. Consult your hospital's infection control officer or epidemiologist. To clean or sterilize mounted instruments or accessory equipment, refer to the specific instructions delivered with those products.

1. The mounting assembly may be cleaned with most mild, non-abrasive solutions commonly used in the hospital environment (e.g. diluted bleach, ammonia, or alcohol solutions).
2. The surface finish will be permanently damaged by strong chemicals and solvents such as acetone and trichloroethylene.
3. Do not use steel wool or other abrasive material to clean the mounting assembly.
4. Damage caused by the use of unapproved substances or processes will not be covered by warranty. We recommended that you test any cleaning solution on a small area of the mounting assembly that is not visible to verify compatibility.
5. Never submerge or allow liquids to enter the mounting assembly. Wipe any cleaning agents off the mounting assembly immediately using a water-dampened cloth. Dry all mounting assemblies thoroughly after cleaning.