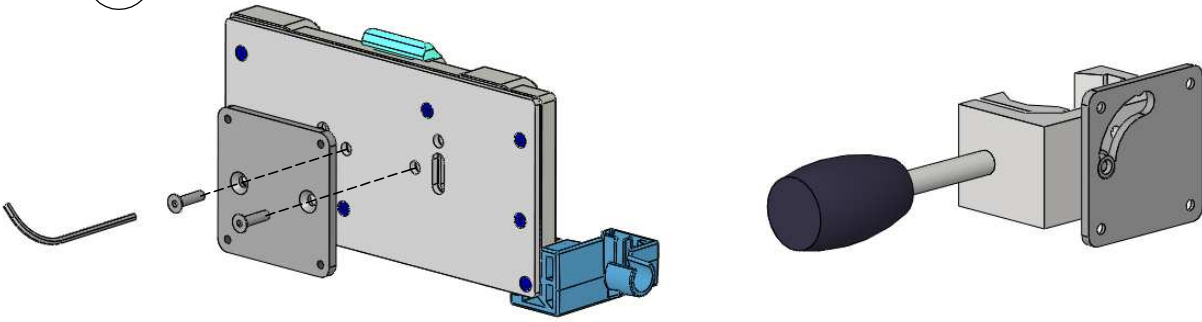
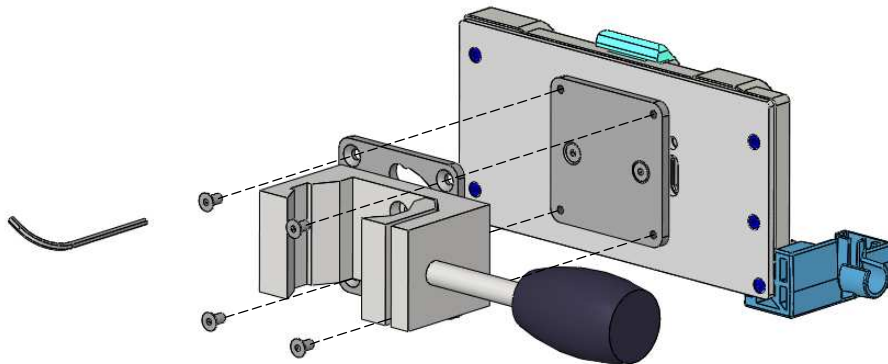


Installation notes for TS.6282.XXX (compatible with Philips-Monitor MP2/X2)

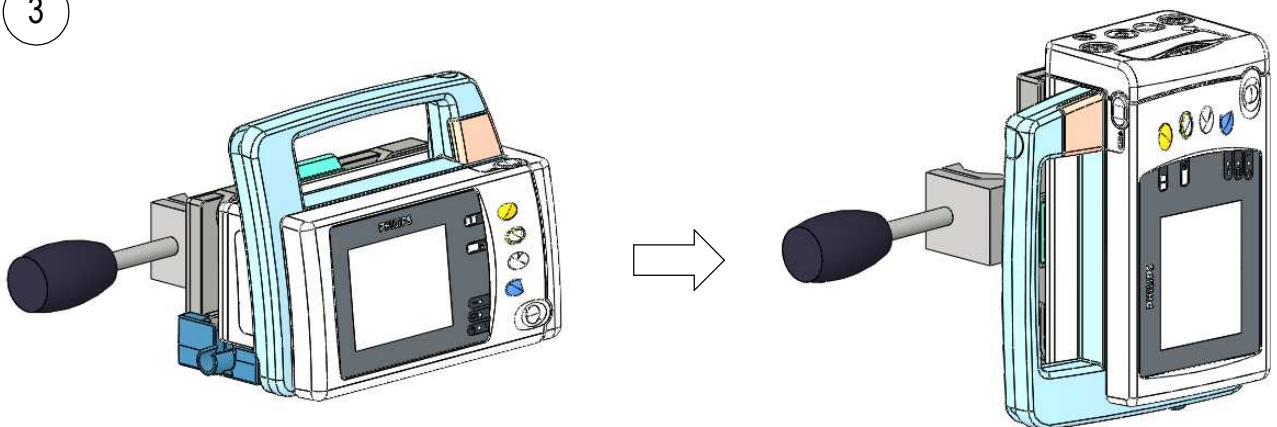
1



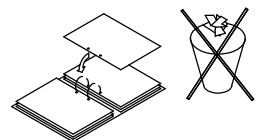
2



3



ITD GmbH
Sportplatzstraße 3 84381 Johanniskirchen · Germany
Tel. +49-89-61 44 25-0 · Fax +49-89-61 44 25-20
sales@itd-cart.com · www.itd-cart.com



MA.0421.799
001/ 03.05.2011