

Installation Guide

Philips Module Charger M-Series Wall Mount Kit

The purpose of this guide is to:

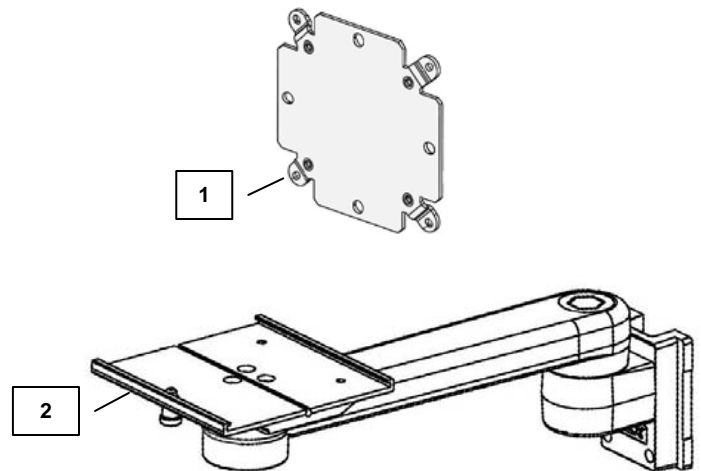
1. Describe attachment of Mounting Adapter to Module Charger (page 2).
2. Describe mounting Module Charger to M-Series Arm (page 2).



Parts Reference

The following parts and hardware are included in this installation kit (hardware not shown):

Item #	Description	Qty
1	Mounting Adapter	1
2	12" M-Series Wall Mount Arm	1
3	M4 x 12mm Pan Head Machine Screw (PHMS)	4
4	5/32" Hex Wrench	1
5	1/8" Hex Wrench	1
6	1/4" Hex Wrench	1
7	9/64" Hex Wrench	1

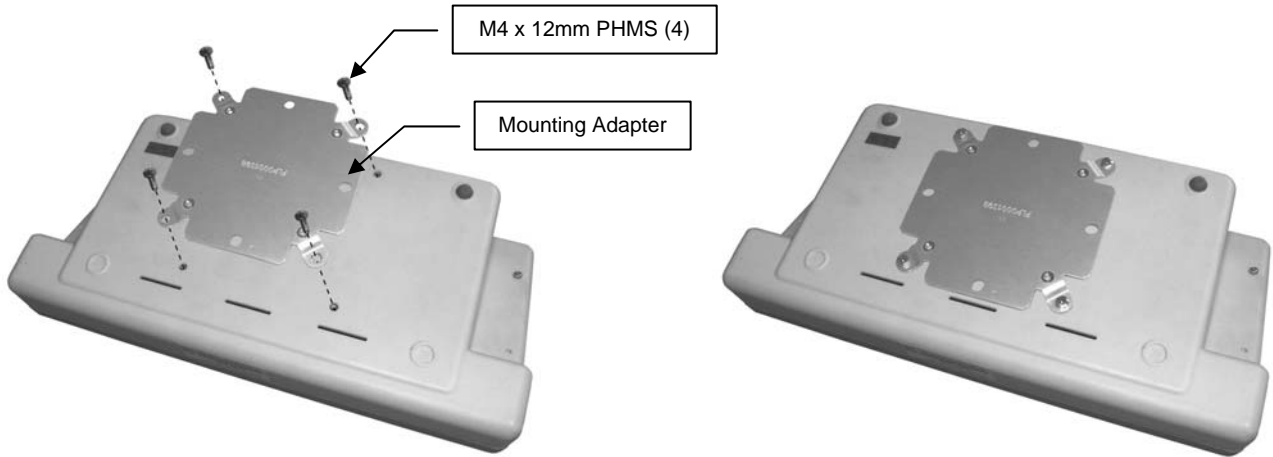


Tools Required: Phillips Screwdriver (not provided), 5/32", 1/8" 1/4", and 9/64" Hex Wrench (provided)

Installation Note: For additional information, see "INSTALLATION & OPERATING MANUAL FOR M-SERIES ARMS" (DU-WMM-0001) included with this kit.

Attaching Mounting Adapter to Module Charger

1. Using a Phillips screwdriver, fasten Mounting Adapter to corresponding mounting holes on Module Charger with four (4) M4 x 12mm PHMS.

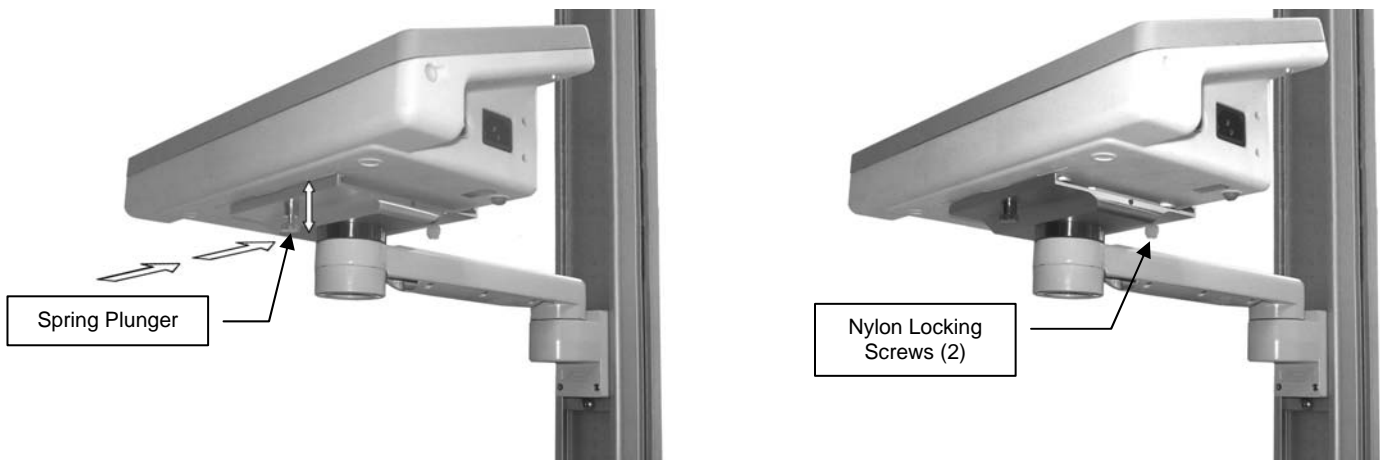


Installing M-Series Arm into Wall Channel

Refer to Installation Guide provided with the M-Series Arm (*DU-WMM-0001*).

Mounting Device on Slide-on Mounting Plate

1. Pull Spring Plunger at the front of the Mounting Plate and slide device laterally into the Mounting Plate until the Plunger snaps into the clearance hole at the front of the Mounting Adapter (below left).
2. Tighten the Nylon Locking Screws located on bottom or rear of the Mounting Plate (below right).



Routine Maintenance

Periodically inspect all hardware associated with the mounting system. Tighten as required for optimal operation and safety.

Cleaning the Mounting Assembly

1. The mounting assembly may be cleaned with most mild, non-abrasive solutions commonly used in the hospital environment (e.g. diluted bleach, ammonia, or alcohol solutions).
2. The surface finish will be permanently damaged by strong chemicals and solvents such as acetone or trichloroethylene.
3. Do not use Steel wool or other abrasive material.
4. Damage caused by the use of unapproved substances or processes will not be warranted. We recommend testing of any cleaning solution on a small area of the arm that is not visible to verify compatibility.
5. Never submerge or allow liquids to enter the arm. Wipe any

CAUTION: GCX makes no claims regarding the efficacy of the listed chemicals or processes as a means for controlling infection. Consult your hospital's infection control officer or epidemiologist. To clean or sterilize mounted devices or accessory equipment, refer to the specific instructions delivered with those products.