

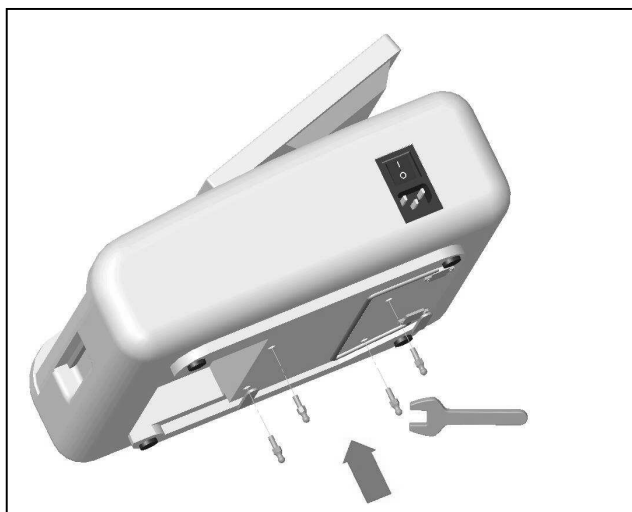
# Assembly Instructions

for FC.4510.800



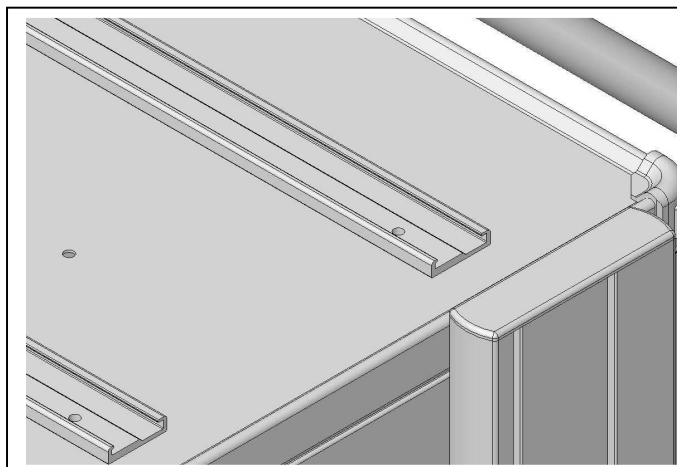
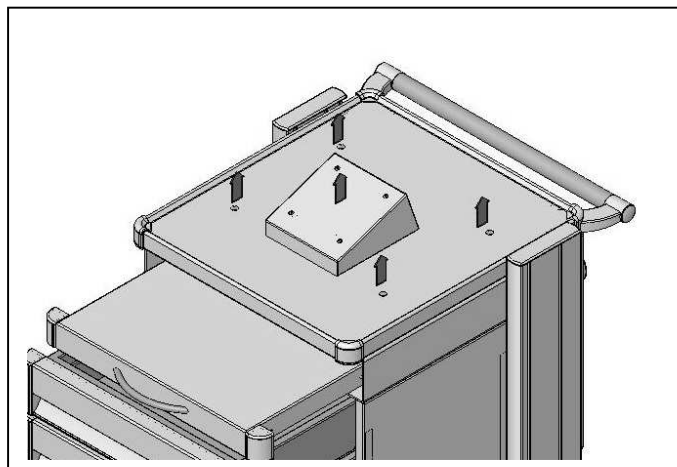
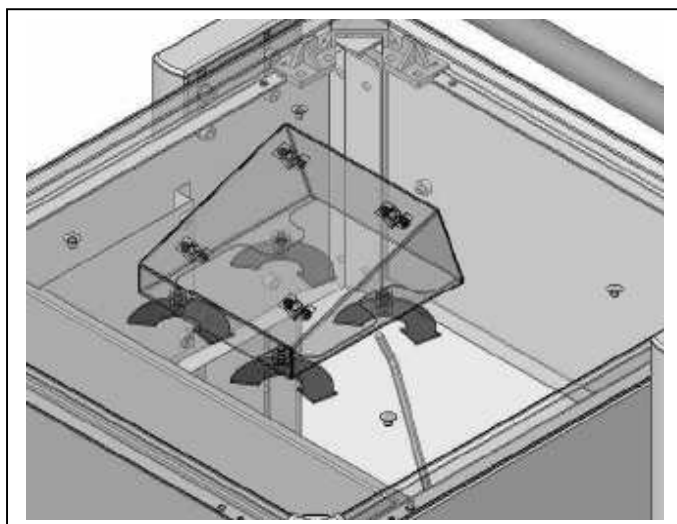
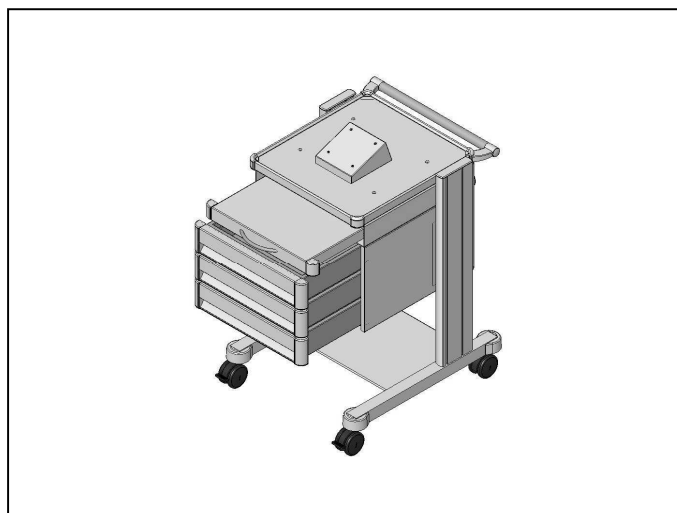
FC.4510.800	M4x10 (4x)		
	M6x12 (4x)	(2x)	
			Hex 4 Hex 5

For FM20/30



For FM40/50

Hex 5



Hex 5

