

Installation Guide

Roll Stand Kit for Philips FM20/30



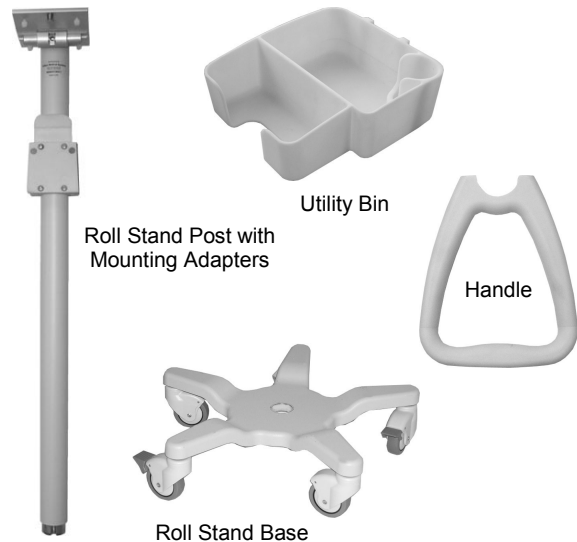
The purpose of this guide is to:

1. Describe attachment of Roll Stand Post to Base.
2. Describe attachment of Handle to Roll Stand Post.
3. Describe attachment of Utility Bin to Roll Stand Post.
4. Describe mounting of monitor on Roll Stand Post.

Parts Reference

The following parts and hardware are included with this installation kit (see photo for parts; hardware not shown):

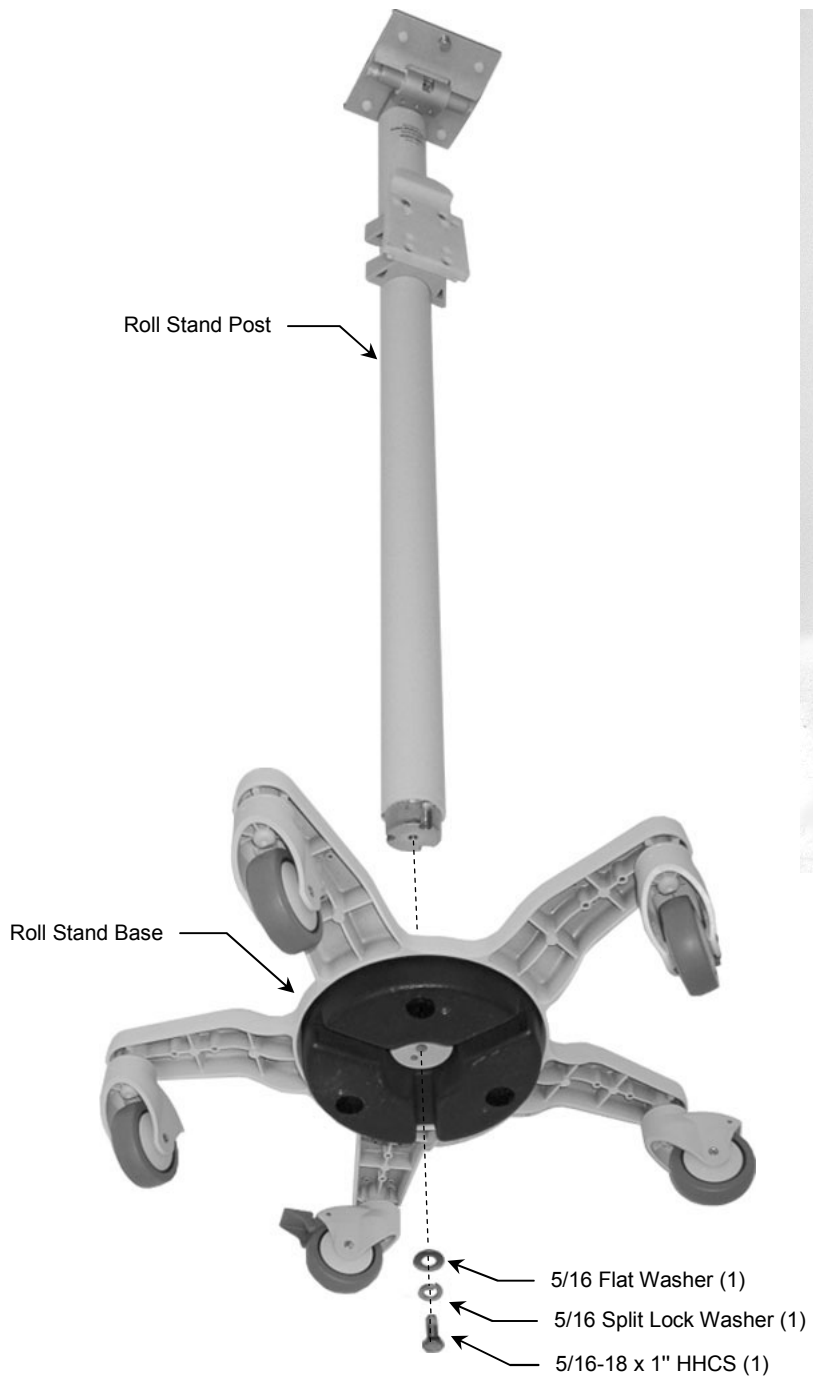
Item #	Description	Qty
1	Roll Stand Post, 34" with Mounting Adapters	1
2	Roll Stand Base	1
3	5/16-18 x 1" Hex Head Cap Screw (HHCS)	1
4	5/16 Flat Washer	1
5	5/16 Split Lock Washer	1
6	M4 x 10 mm Pan Head Machine Screw (PHMS)	4
7	Utility Bin	1
8	Handle	1
9	#10-32 x 9/16" PHMS	2
10	9/64" Hex Key	1



Tools Required: Phillips screwdriver (not provided), 9/64" hex key (provided).

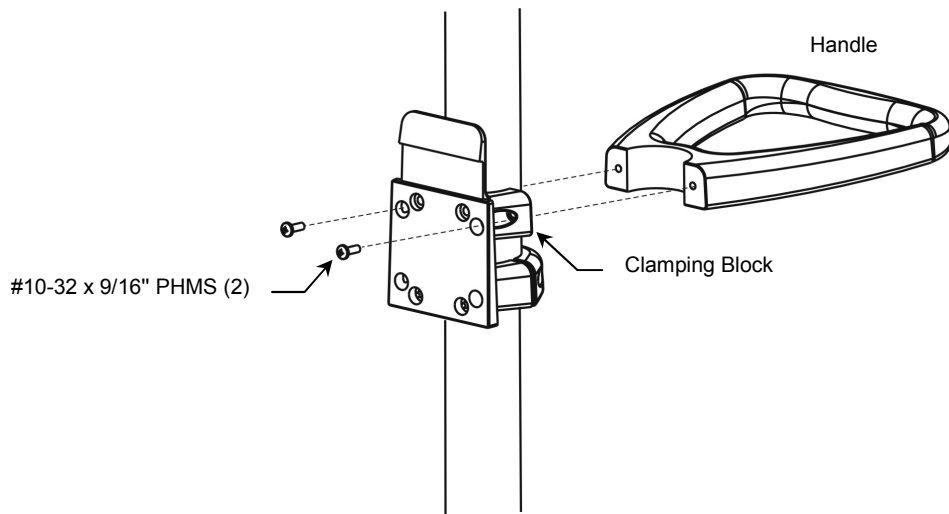
Assembling the Roll Stand

1. Insert the Roll Stand Post in the Base and lay the assembly on its side for access to the bottom of the Base.
2. Using a 1/2" [13mm] wrench, fasten Post to Base with one (1) 5/16-18 x 1" HHCS, with 5/16 split lock washer, and 5/16" flat washer.



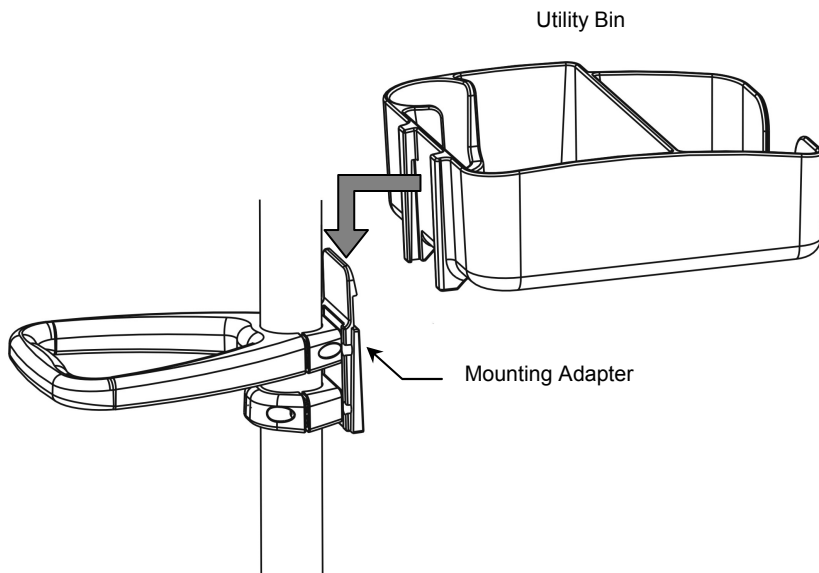
Attaching the Handle

1. Fasten Handle to Clamping Block with two (2) #10-32 x 9/16" PHMS as shown below.



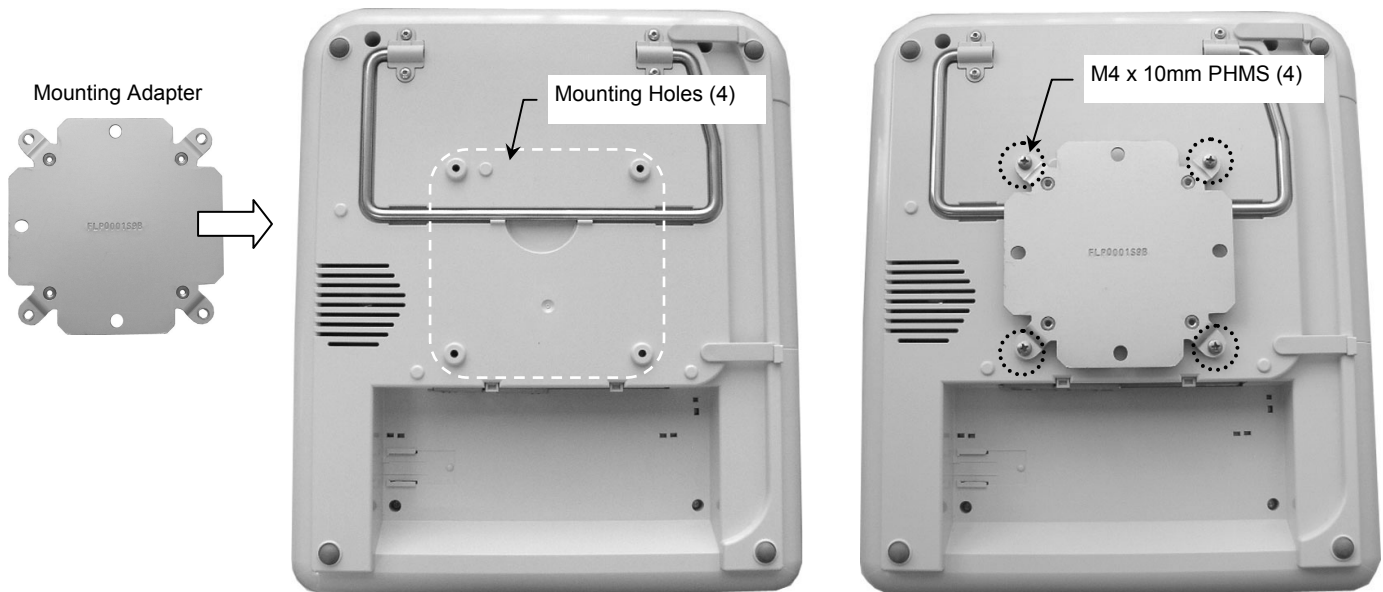
Mounting the Utility Bin

1. Slide the Mount (rear of Utility Bin) onto the Mounting Adapter and push Bin downward until the Release/Locking Tab snaps into locking position over the rear edge of the Bin.



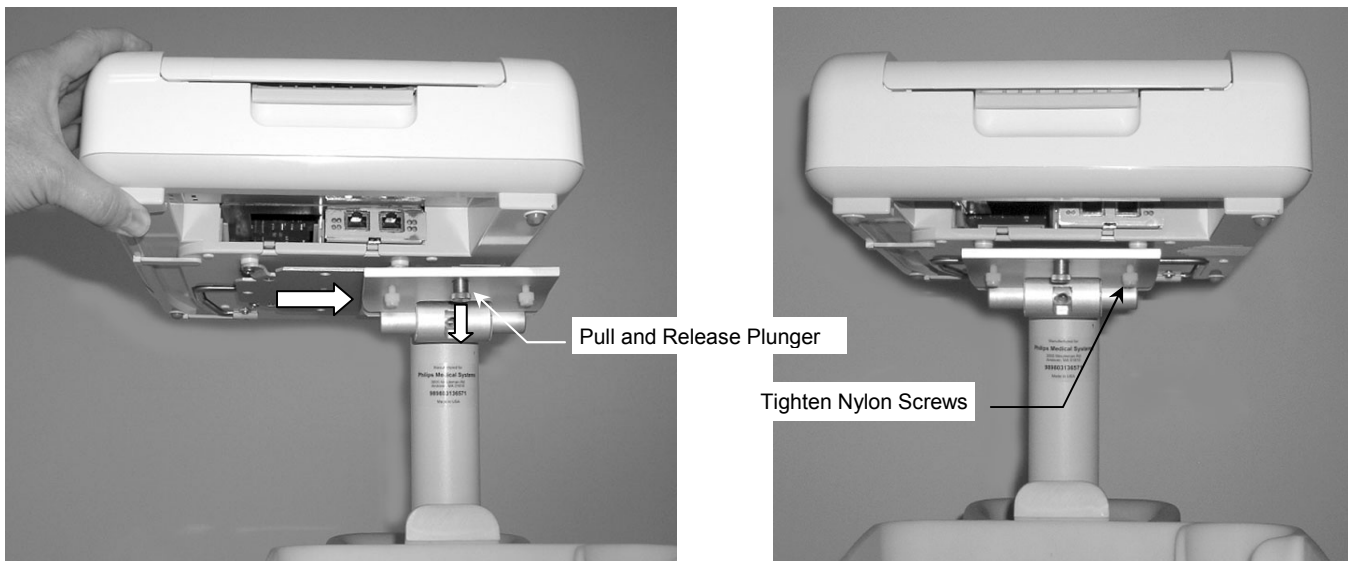
Attaching Mounting Adapter to Monitor

1. Align four (4) mounting holes in Mounting Adapter with corresponding mounting holes on bottom of monitor.
2. Fasten Mounting Adapter to bottom of monitor with four M4 x 10mm PHMS (right).



Mounting the Monitor

1. Slide the Mounting Adapter (monitor attached) onto the Mounting Plate until the Adapter makes contact with the Plunger. Pull the Plunger downward and hold in position while sliding the Adapter over the Plunger (below left). Release the Plunger and continue sliding the Monitor until the Plunger snaps into the Clearance Hole on the Adapter. Tighten the Nylon screws on the bottom of the Mounting Plate (below right).



Routine Maintenance

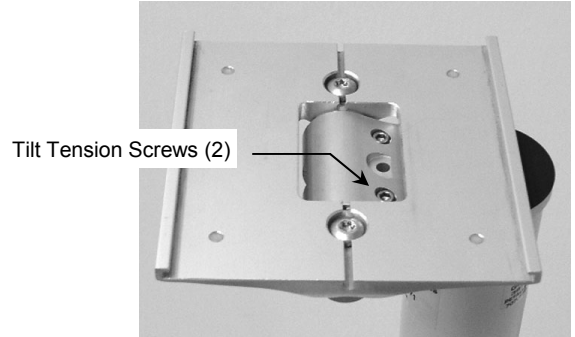
Periodically check all mounting hardware. Tighten as necessary for optimal operation.

Adjusting Tilt Tension

Periodically check tilt tension for proper operation.

Adjusting Tilt Tension

1. Using the 9/64" hex key provided, adjust tilt tension by equally tightening or loosening the two (2) Tilt Tension Screws on the Manual Tilt Clamp.



Cleaning the Mounting Assembly

Caution: GCX makes no claims regarding the efficacy of the listed chemicals or processes as a means for controlling infection. Consult your hospital's infection control officer or epidemiologist. To clean or sterilize mounted instruments or accessory equipment, refer to the specific instructions delivered with those products.

1. The mounting assembly may be cleaned with most mild, non-abrasive solutions commonly used in the hospital environment (e.g. diluted bleach, ammonia, or alcohol solutions).
2. The surface finish will be permanently damaged by strong chemicals and solvents such as acetone and trichloroethylene.
3. Steel wool or other abrasive material should *never* be used.
4. Damage caused by the use of unapproved substances or processes will not be warranted. It is recommended that you test any cleaning solution on a small area of the arm that is not visible, to verify compatibility.