

Installation Guide

VHM-Arm Suspension Wall Mount Kit for Philips IntelliVue MP5/MP20/30/40/50, MX400/450/500/550

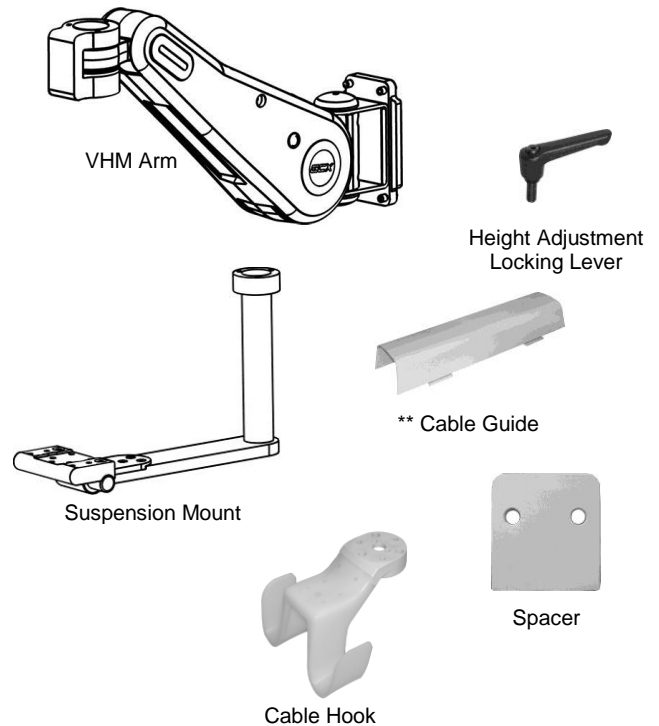
The purpose of this guide is to:

1. Describe assembly and mounting of the Philips Device to the VHM Arm.

Parts Reference

Parts and hardware listed below will be installed in accordance with this installation guide (see photos for major parts – hardware not shown).

Item #	Description	Qty
1	VHM Arm	1
2	Suspension Mount	1
4	Locking Lever, Height Adjustment	1
5	M6 x 8mm Flat Head Machine Screw (FHMS)	2
6	M6 x 12mm FHMS	1
7	Adjustable Stop	1
**8	Cable Guide, VHM Arm	1
9	Channel Cover, 16" (included instructions)	1
*10	Spacer	1
*11	M6 x 16mm Pan Head Machine Screw (PHMS)	2
12	10-32 x 7/8" Socket Head Cap Screw (SHCS)	3
13	5/32" Hex Wrench	1
14	1/4" Hex Wrench (provided but not used)	1
15	1/2" Socket Wrench	1
16	1/8" Hex Wrench	1
***17	Cable Hook (included instructions)	1



* See "Non-Table Mount" (page 4) for use of these parts.

** See DU-WS-0001 page 6 for Cable Management

*** See "Install the Cable Hook" (page 5) for use of this part.

Tools Required: Phillips screwdriver (not provided), 1/2" [13mm] socket wrench (provided). 3/4" socket wrench (not provided). 1/8", 5/32", and 1/4" hex wrench (provided).



WARNING! The VHM Arm contains a strong spring which is used to counterbalance the weight of the mounted device. The Arm housing should never be disassembled by non-GCX personnel. Additionally, the mounted device should only be removed with the Arm in its highest vertical position, and with the Height Adjustment Locking Lever engaged. Failure to follow these guidelines could result in serious injury.

Before mounting the Arm:

1. Note that this arm has a wide range of motion both up/down and side to side. Please consider carefully the device being mounted and the proximity of the assembly to other equipment, hospital personnel, and the patient. GCX recommends that the hospital's risk management personnel verify the appropriateness of the application prior to installation and use.
2. If assistance is needed regarding an application, please contact a GCX product specialist at (800) 228-2555.

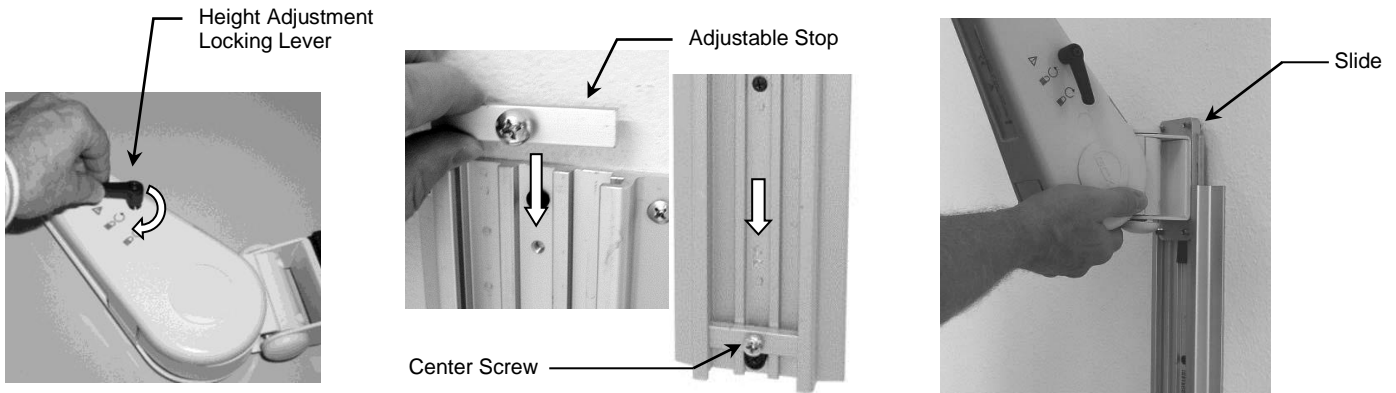
Mounting VHM Arm in Wall Channel

This procedure covers mounting Arm in wall channel only. For operating, adjustment, and cleaning procedures, refer to separate instructions titled: *Installation and Operating Manual for VHM™ Series Mounts (DU-WS-0001)*.

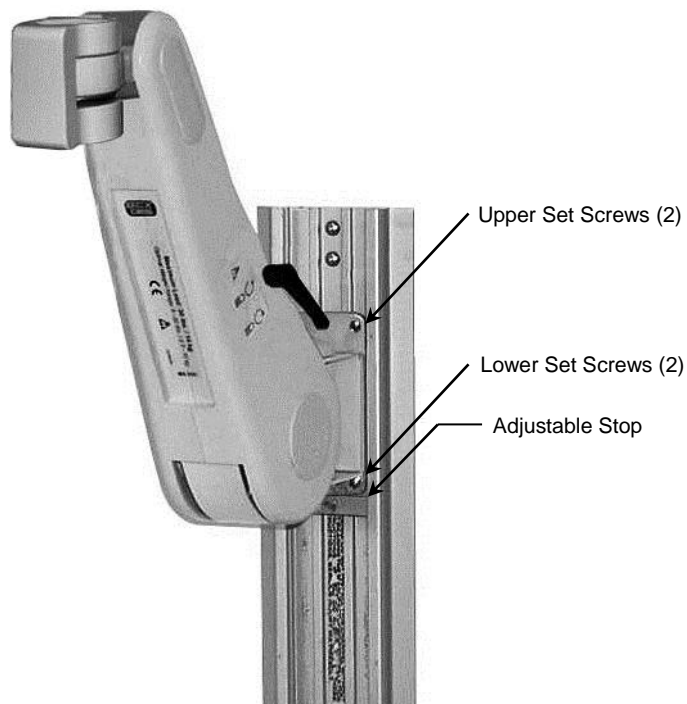


Caution: Do not attempt to remove the Arm from the Channel while Arm is loaded with an instrument.

1. Thread the Height Locking Lever into the mounting hole in the right side of the Arm. The Lever operates by turning clockwise to tighten or counterclockwise to loosen. Ensure that the Locking Lever is in the locked position before mounting the Arm in the channel.
2. Insert the Adjustable Stop in the top of the Channel and slide it to desired height. Tighten center screw to secure. (below center).
3. While supporting the bottom of the Arm, guide the Slide (rear of Arm) into the top of the wall channel (below right).

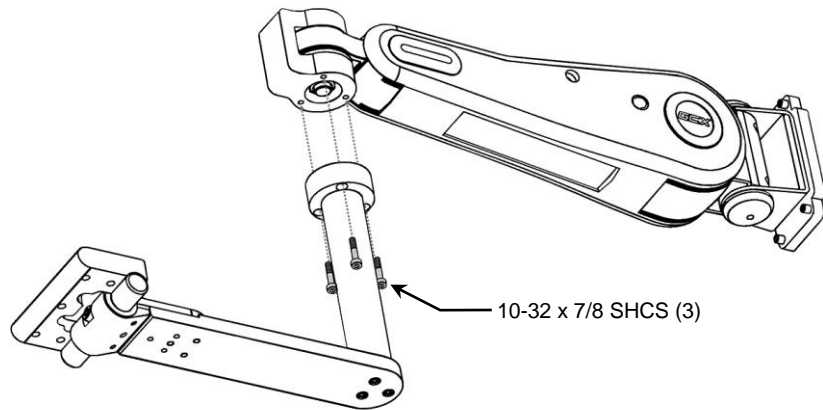


4. To secure position of the Arm in Channel, tighten the four (4) Set Screws in the Slide using the 1/8" hex wrench (provided).



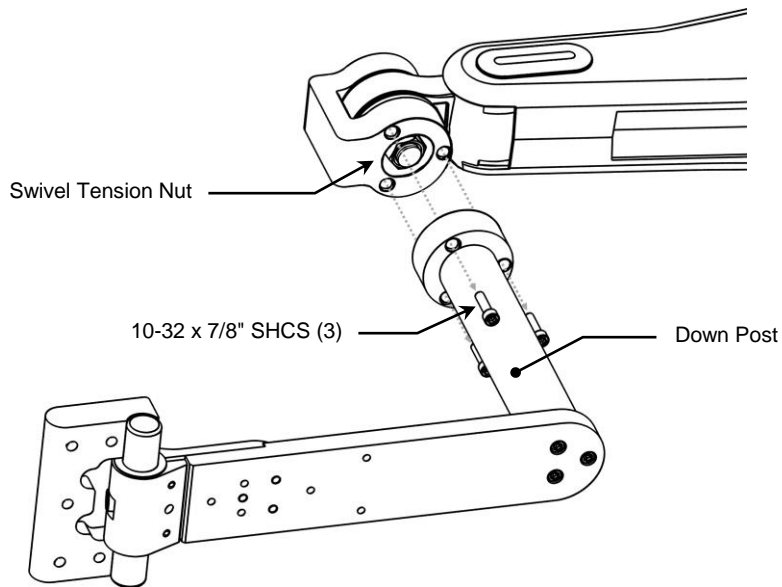
Attaching Suspension Mount to Arm

1. Fasten the Suspension Mount assembly to the Arm with (3) 10-32 x 7/8 SHCS using the supplied 5/32" hex wrench.



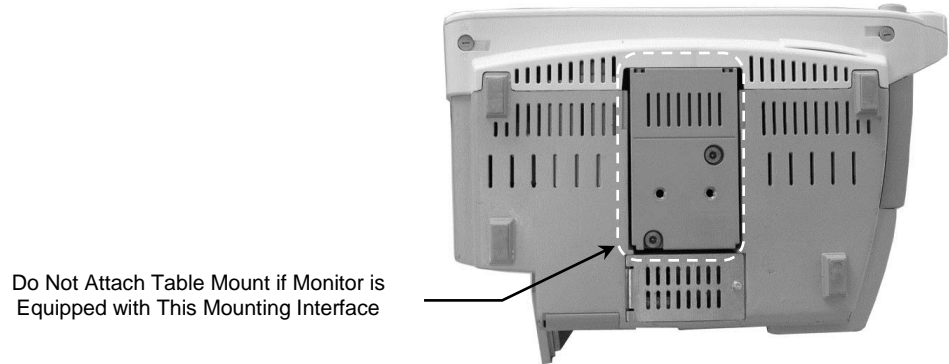
Swiveling the Mounted Instrument and Adjusting Swivel Tension

1. To swivel the mounted instrument simply push or pull the corners of the instrument.
2. To adjust swivel tension, use the 5/32" hex wrench to remove the three (3) 10-32 x 7/8" SHCS securing the Down Post to the swivel cup. Tighten or loosen the Swivel Tension Nut using a 3/4" [19mm] socket wrench until desired tension is achieved. Attach Down Post with the three (3) 10-32 x 7/8" SHCS.

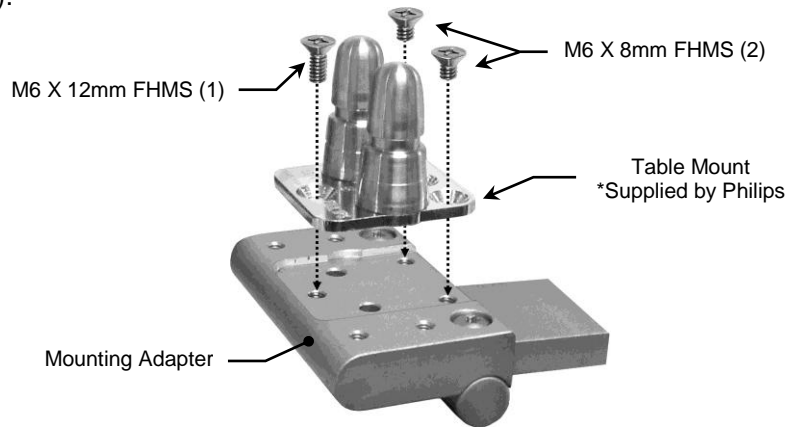


Attaching the Philips Table Mount to the Mounting Adapter

Installation Note: Do not attach the Table Mount to the Arm/Mounting Adapter if you will be mounting a monitor equipped with the mounting interface shown below. See "Mounting the Monitor on the Arm" (below) for instructions specific to this type of mounting plate.



1. Fasten Philips-supplied Table Mount to Suspension Mount assembly with one (1) M6 x 12mm FHMS and two (2) M6 x 8mm FHMS (see below).



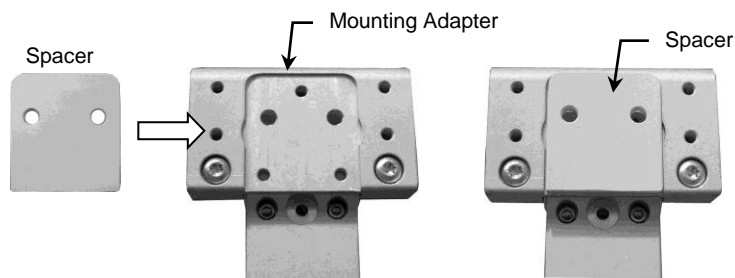
Mounting the Monitor to the Arm

Table Mount

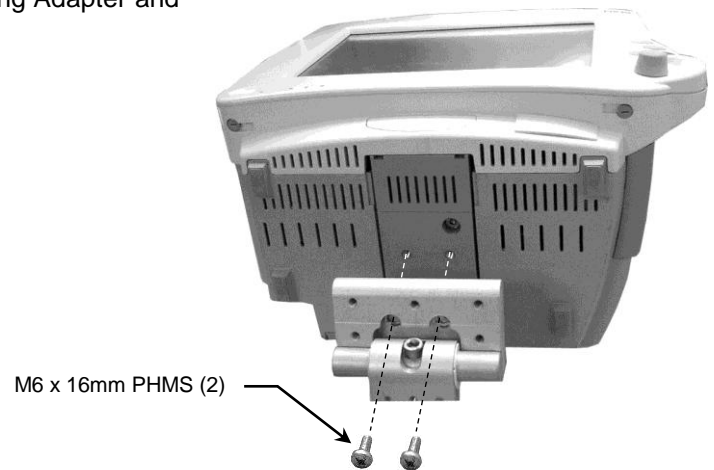
Mount the monitor in accordance with the Philips Table Mount instructions.

Non-Table Mount

1. Fit Spacer into recessed area on top of Mounting Adapter (below). Ensure Spacer remains between Mounting Adapter and monitor.



2. Insert two (2) M6 x 16mm PHMS through bottom of Mounting Adapter and thread into mounting holes in bottom of monitor (right).

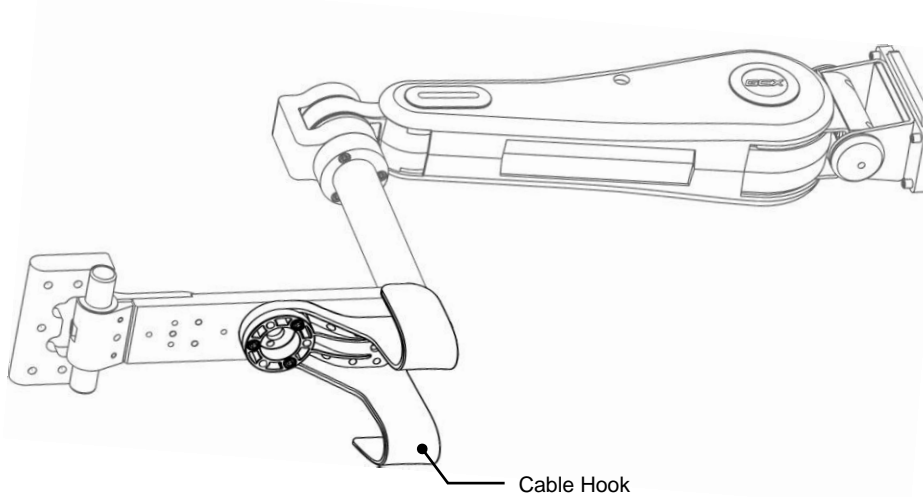


Mounting the MX400/450/500/550 Monitor (Fixed Mount Adapter)

Mount the monitor in accordance with separate Installation Guide DU-PH-0073-15 provided with the Mounting Adapter, ordered separately.

Installing the Cable Hooks

Install the Cable Hooks in accordance with the *Cable Hook Installation Guide (DU-WMM-0006-04)*.



Installing the 16" Wall Channel Cover

Install the Wall Channel Cover in accordance with the *Channel Cover Installation Guide (DU-UT-0001-20)*.

VHM Arm Operation and Adjustment

For operating, adjustments, and cleaning procedures, refer to separate instructions titled: *Installation and Operating Manual for VHM™ Series Mounts (DU-WS-0001)*.