

## Installation Guide

### Flush Tilting 75/100 mm VESA-compatible Display Mount

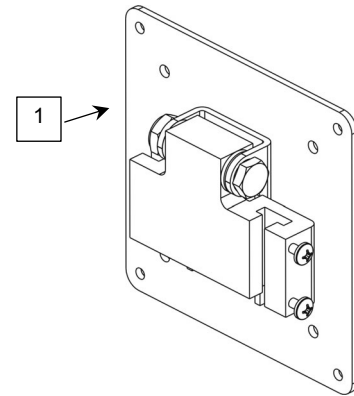
The purpose of this guide is to:

1. Describe attachment of Mount to display.
2. Describe mounting in Channel.

#### Parts Reference

The parts list below includes parts and hardware that will be used in this installation procedure.

Item #	Description	Qty
1	Flush Mount Assembly	1
2	M4 x 6 mm Pan Head Machine Screw (PHMS)	4
3	M4 x 8 mm PHMS	4
4	M4 x 10 mm PHMS	4
5	M4 x 12 mm PHMS	4
6	M4 x 16 mm PHMS	4
7	M4 x 20 mm PHMS	4
8	Spacer, 1/4" Long	4
9	Spacer, 3/8" Long	4
10	Spacer, 1/2" Long	4



#### Tools Required

Phillips screwdriver (not provided).

#### Selecting Mounting Hardware for the Display



**WARNING:** This mounting kit provides an assortment of hardware for a wide variety of display-mounting applications. It is the responsibility of the installer of this product to ensure that all screws used to mount the display have a minimum thread engagement of four (4) 360° turns into threaded inserts in rear of display. It is also the responsibility of the installer to ensure that screws are not inserted too far into the display, causing damage to internal components. Failure to adhere to this warning could result in damage to equipment or injury to patients or personnel.

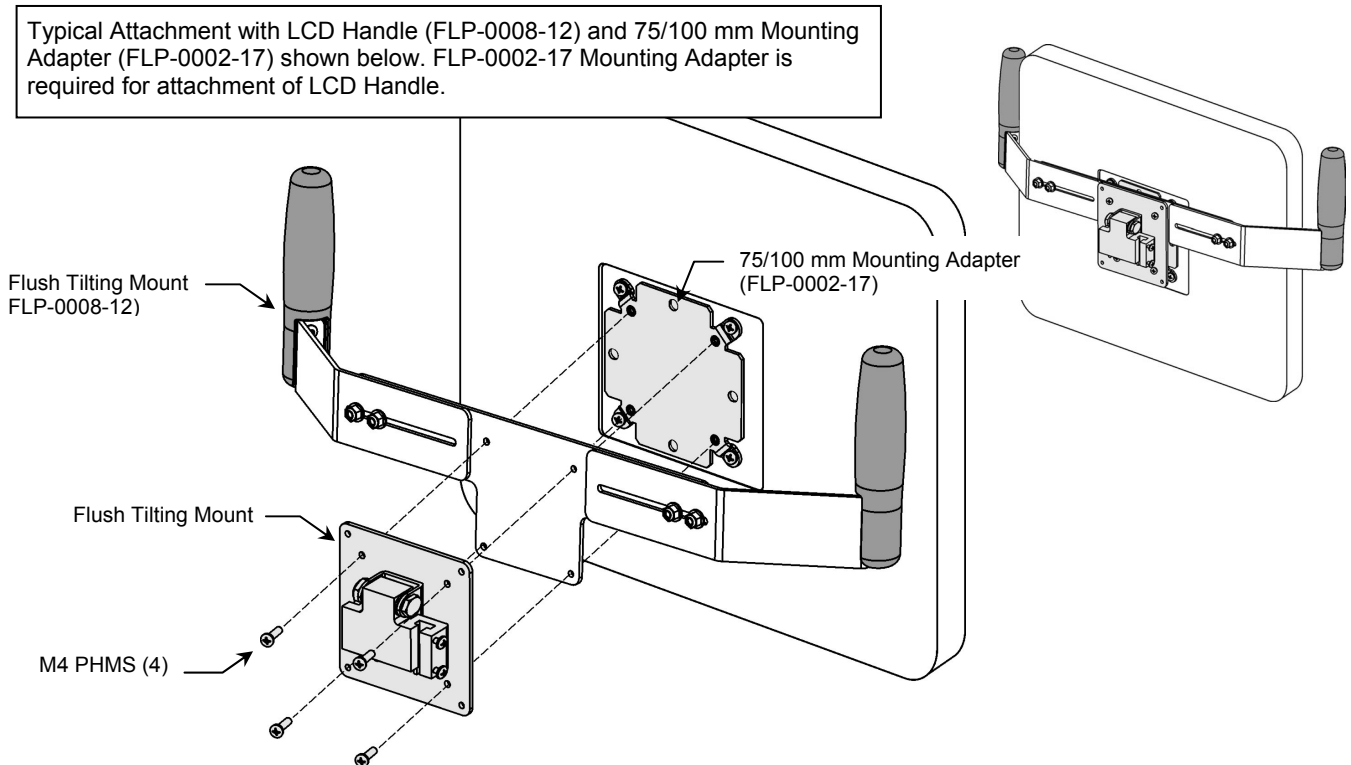
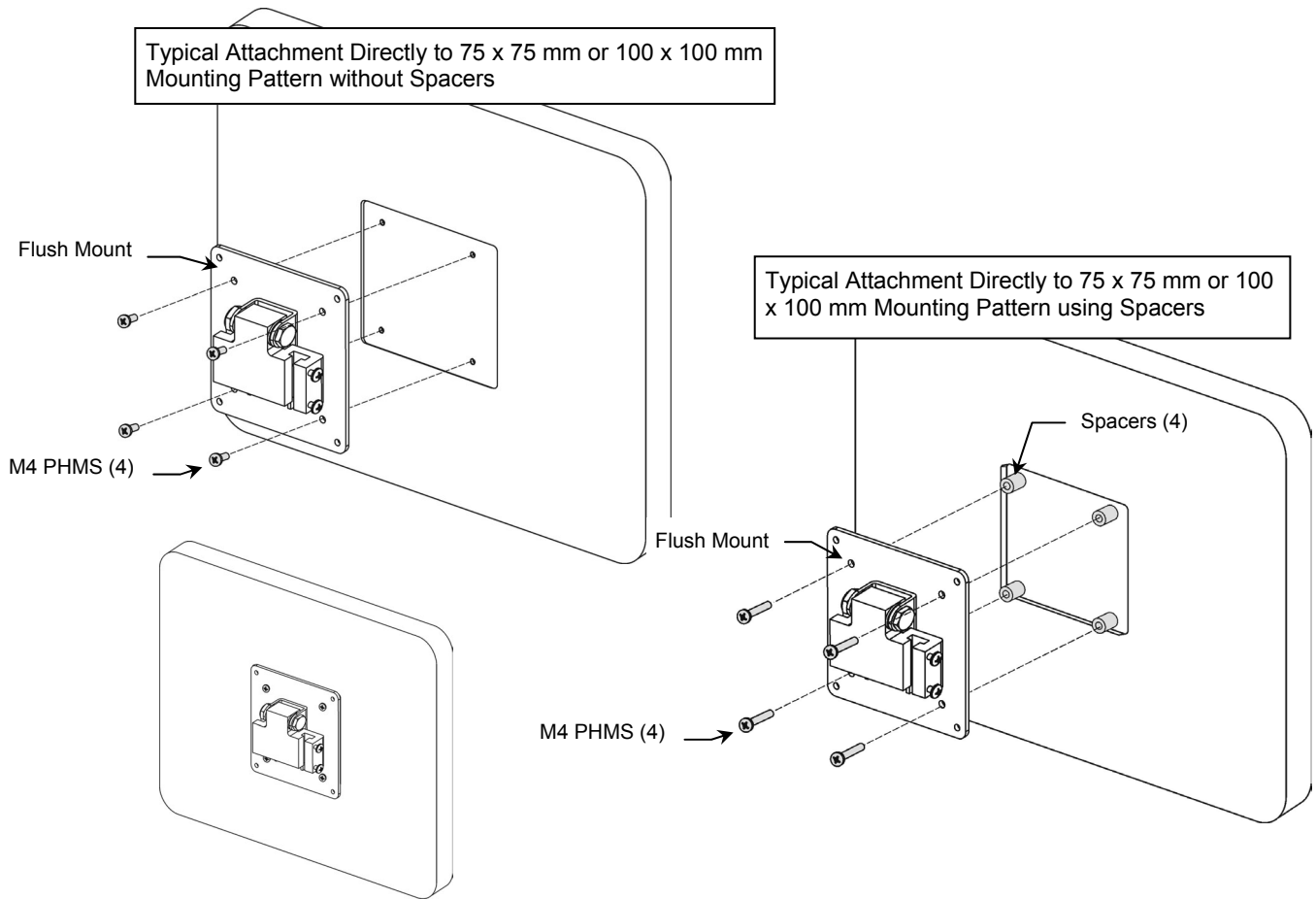
This Display Mount will accommodate flat panel displays up to 30 lbs. [13.6 kg].

#### Installation Note

The Flush Mount will typically be fastened directly to the rear of the display, but spacers may be required between Flush Mount and display if VESA mounting pattern is within a deeply recessed part of the display housing. A variety of spacers is provided for this purpose.

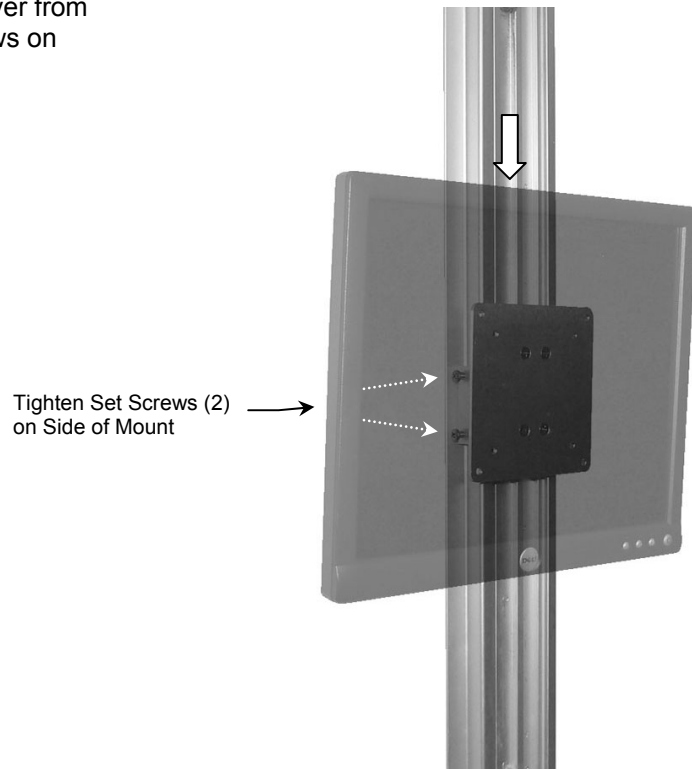
## Attaching Flush Mount to Display

Fasten Flush Mount to display as shown in examples below.



## Mounting Display in Channel

1. Slide Flush Mount into opening at top or bottom of channel and move to required mounting position.
2. While holding display in position, insert screwdriver from side of Flush Mount and tighten two (2) set screws on side of Mount.



## Routine Maintenance

Periodically check all mounting hardware. Tighten as necessary for optimal operation and safety.

## Cleaning the Mounting Assembly

1. The mounting assembly may be cleaned with most mild, non-abrasive solutions commonly used in the hospital environment (e.g. diluted bleach, ammonia, or alcohol solutions).
2. The surface finish will be permanently damaged by strong chemicals and solvents such as acetone and trichloroethylene.
3. Do not use steel wool or other abrasive material to clean the mounting assembly.
4. Damage caused by the use of unapproved substances or processes will not be covered by warranty. We recommend testing any cleaning solution on a small area of the mounting assembly that is not visible to verify compatibility.
5. Never submerge or allow liquids to enter the mounting assemblies. Wipe any cleaning agents off the mounting assembly immediately using a water-dampened cloth. Dry all mounting assemblies thoroughly after cleaning.

**CAUTION:** GCX makes no claims regarding the efficacy of the listed chemicals or processes as a means for controlling infection. Consult your hospital's infection control officer or epidemiologist. To clean or sterilize mounted instruments or accessory equipment, refer to the specific instructions delivered with those products.