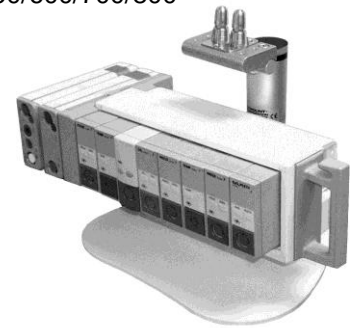


GCX Mounting Assembly Installation Guide

Pedestal Mount for Philips IntelliVue MP5/20/30/40/50/60/70, MX400/450/500/550/600/700/800

The purpose of this guide is to:

1. Describe procedure for mounting Pedestal Mount on counter top.
2. Describe procedure for applying rubber bumpers to Base Plate.
3. Describe procedure for attaching Table Mount to mounting adapter.
4. Describe procedure for mounting flexible module server (FMS) on Column.
5. Describe procedure for tilting instrument and adjusting tilt tension.
6. Describe procedure for covering unused holes in Base Plate.



Parts Reference

The following parts and hardware are included with this installation kit (see photo for parts; hardware not shown):

Item #	Description	Qty
1	Pedestal Mount Assembly	1
2	M6 x 12mm Flat Head Machine Screw (FHMS)	1
3	M6 x 8mm FHMS	2
4	FMS Mounting Adapter	1
5	M4 x 12mm Pan Head Machine Screw (PHMS)	2
6	#10-32 x 9/16" PHMS	2
7	Spacer	1
8	M6 x 16mm Pan Head Machine Screw (PHMS)	2
9	5/32" Hex Key	1
*10	1/4-20 x 1-3/4" Carriage Bolt	4
*11	1/4-20 x 3/4" Carriage Bolt	4
*12	1-1/4" (OD) Flat Washer	4
*13	1/4-20 Kep Nut	4
**14	Rubber Bumper	9
15	Hole Cover	10



FMS Mounting Adapter



Table Mount
(Supplied by Philips)



Pedestal Mount Assy.



Spacer

Tools Required: *Drill, *17/64" drill bit, *7/16" wrench, 5/32" hex key (provided), Phillips screwdriver.

*Required only if mounting Pedestal Mount on a rigid surface (counter top).

**Required only if using Pedestal Mount for demonstration purposes.

Installation Note

This mounting assembly may be mounted securely to a rigid surface (counter top) or used for demonstration purposes only. Procedures for both applications are covered in this installation guide. The installer and user of this mounting assembly must adhere to the applicable warnings below:

1. Using the Pedestal Mount for Demonstration Purposes Only



WARNING: This application of the mount is for demonstration purposes only. The mount is not fixed to a rigid surface and may tip over unexpectedly. Do not use this mount in the proximity of a patient.

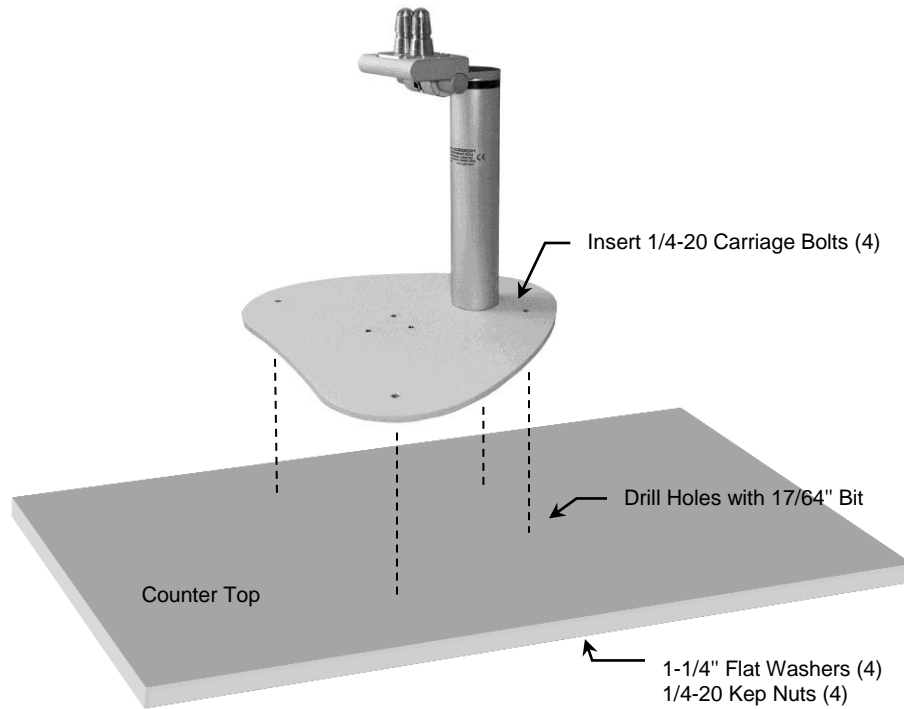
2. Mounting the Pedestal Mount on a Counter Top



WARNING: It is the responsibility of the installer to determine whether the counter top surface will support the weight of the mounting assembly and mounted instruments. Do not exceed the load limit specified. Strict adherence to the load limit must be observed to prevent damage to mounting assembly and mounted instruments.

Mounting the Pedestal Mount on a Counter Top

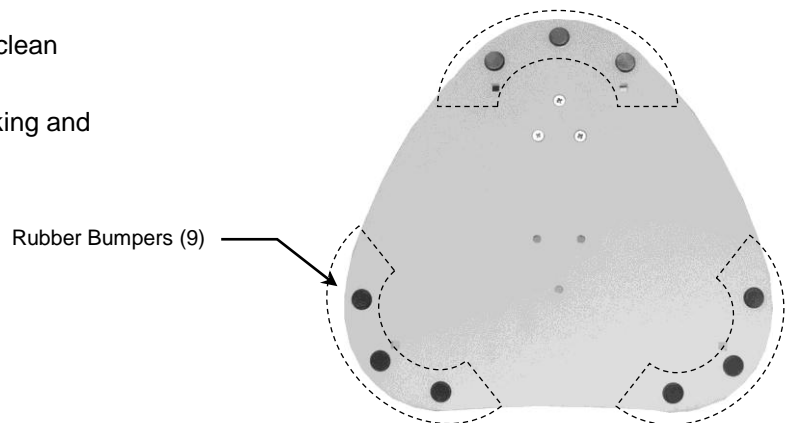
1. Using the Base Plate as a template, drill four (4) holes in the counter top with a 17/64" drill bit.
2. Fasten Base Plate to counter top using four (4) 1/4-20 carriage bolts (3/4" or 1-3/4"), four (4) 1-1/4" flat washers, and four (4) 1/4-20 keps nuts. Carriage Bolts are inserted through the Base Plate from the top.



Using the Mount for Demonstration Purposes

If the Pedestal Mount will not be mounted to a counter top, rubber bumpers (provided) must be attached to the bottom of the Base Plate.

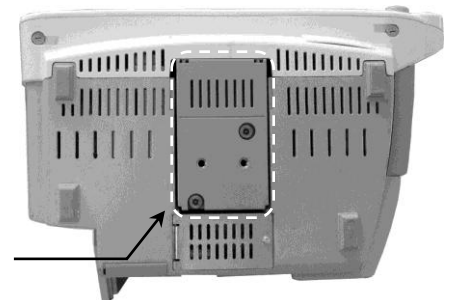
1. Using a mild, non-abrasive cleaning solution, clean surface area where bumpers will be applied.
2. Peel nine (9) bumpers from the adhesive backing and apply to Base Plate in the pattern shown below.



Attaching the Philips Table Mount to the Mounting Adapter

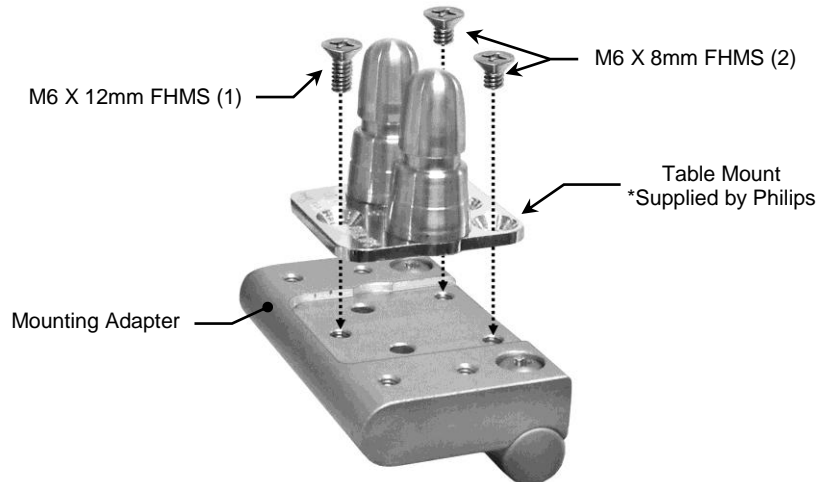
Installation Note: Do not attach the Table Mount to the Arm/Mounting Adapter if you will be mounting a monitor equipped with the mounting interface shown in photo (right). See "Mounting the Monitor on the Arm" (page 3) for instructions specific to this type of mounting plate.

Do not attach Table Mount if Monitor is equipped with this mounting interface.



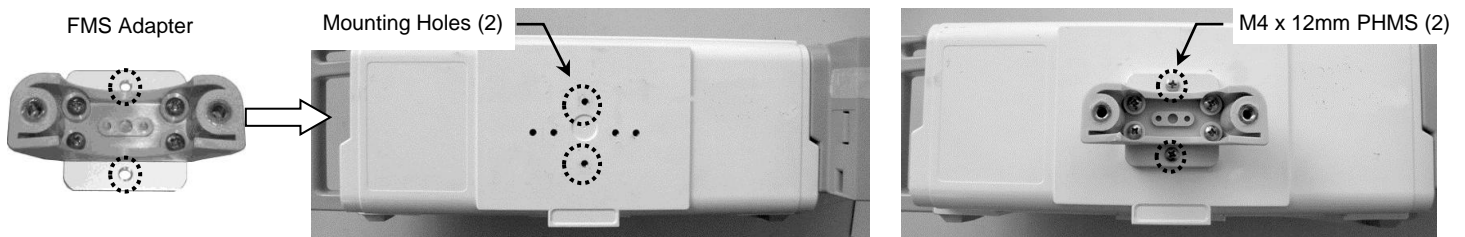
Attaching Philips Table Mount to Mounting Adapter

1. Fasten the Philips-supplied Table Mount to the Mounting Adapter with one (1) M6 x 12mm FHMS and two (2) M6 x 8mm FHMS.

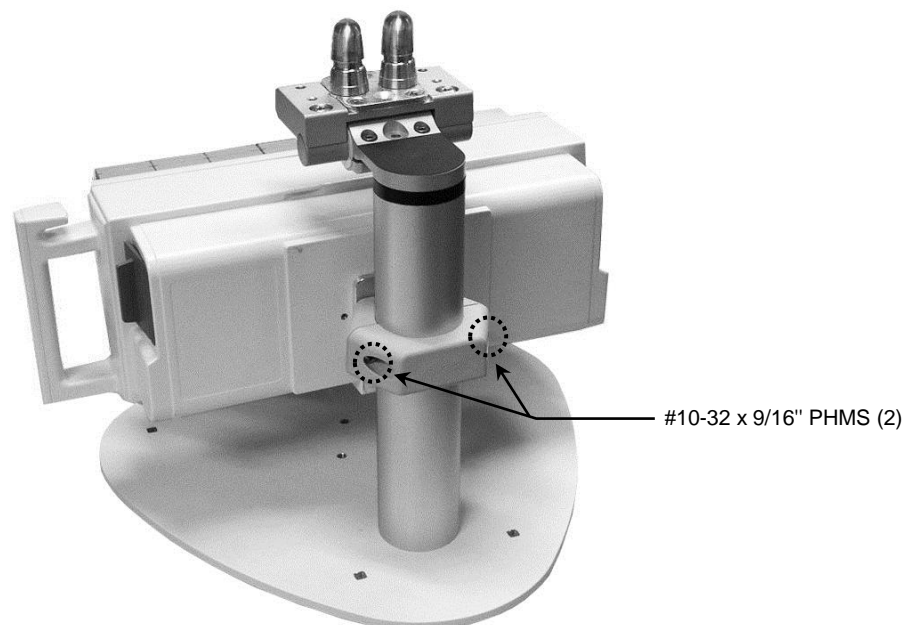


Mounting the Flexible Module Server (FMS) on the Pedestal Column

1. Align the two (2) mounting holes in the FMS Adapter with the threaded mounting holes in the rear of the FMS. Fasten the Adapter to FMS with two (2) M4 x 12mm PHMS.



2. Position the FMS on the Column. Fasten the rear half of the Clamping Block to the front with two (2) #10-32 x 9/16" PHMS. Alternately tighten the screws until the FMS is secure on the Column and does not rotate.



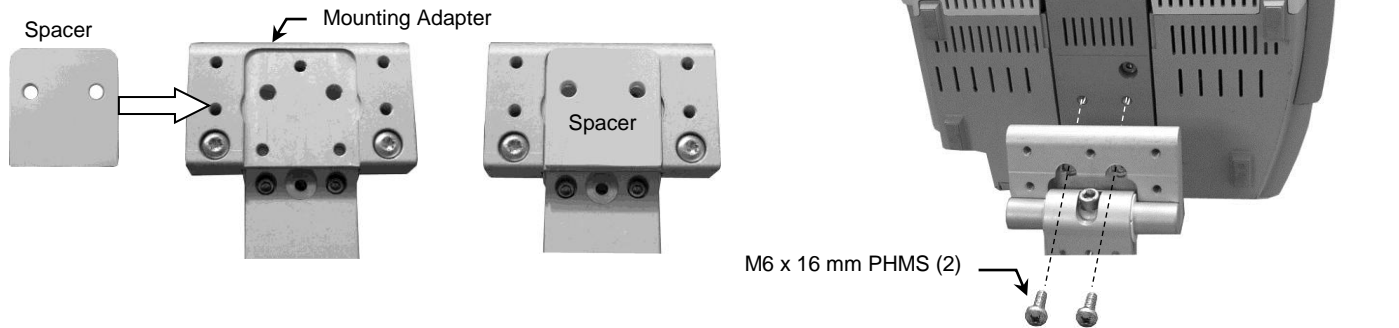
Mounting the Monitor

Table Mount

Mount the monitor in accordance with the Philips Table Mount instructions.

Non-Table Mount

1. Fit Spacer into recessed area on top of Mounting Adapter (below). Ensure Spacer remains between Mounting Adapter and monitor.
2. Insert two (2) M6 x 16mm PHMS through bottom of Mounting Adapter and thread into mounting holes in bottom of monitor (right).



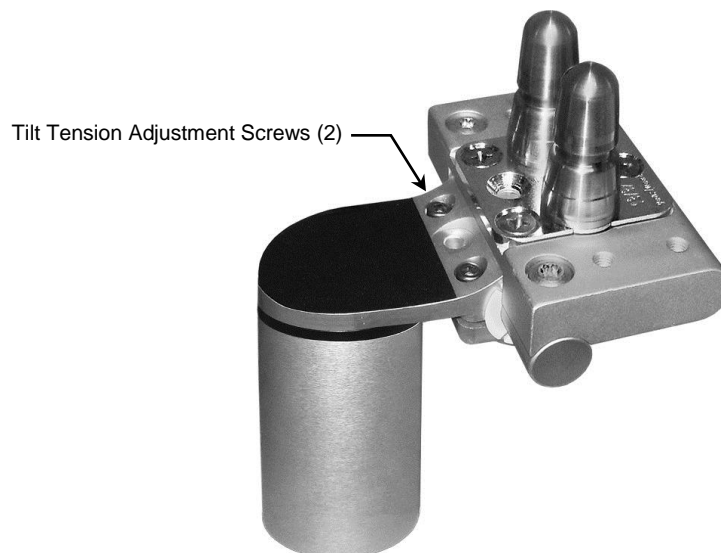
Mounting the MX400/450/500/550 Monitor (Fixed Mount Adapter)

Mount the monitor in accordance with separate Installation Guide DU-PH-0073-15 provided with the Mounting Adapter, ordered separately.

Tilting the Mounted Instrument and Adjusting Tilt Tension

Installation Note: Pedestal mount shown without monitor for detail purposes.

1. To tilt the instrument, grasp the top and bottom of the instrument and tilt it to the desired angle.
2. To adjust tilt tension, equally tighten or loosen the two (2) Tilt Tension Screws using the supplied 5/32" hex key.



Covering Unused Holes in the Base Plate

Round, color-matching Hole Covers are provided for covering the unused holes in the Base Plate.

1. Using a mild, non-abrasive cleaning solution, clean surface area around holes to be covered.
2. Peel Covers from adhesive backing and apply over holes in Base Plate.

Installation Note: The maximum usage of Hole Covers is shown in photo below right. Your actual application may require fewer Covers.

