

GCX Mounting Assembly Installation Guide

Philips IntelliVue MP5/20/30/40/50/60/70, MX400/450/500/550/600/700/800 Roll Stand Mounting Kit

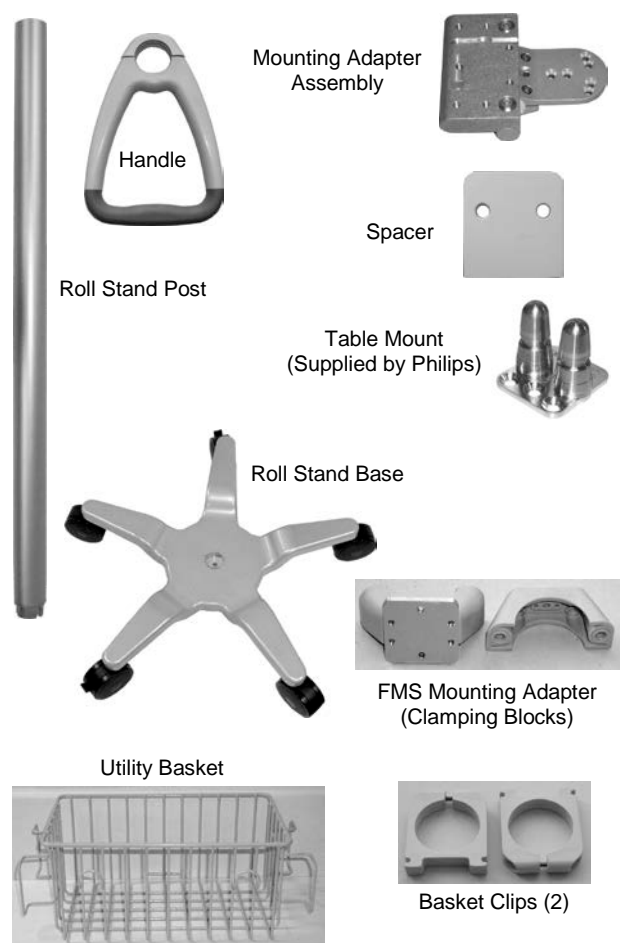
The purpose of this guide is to:

1. Describe assembly of the Roll Stand.
2. Describe attachment of the Utility Basket to the Roll Stand Post.
3. Describe attachment of the Mounting Adapter assembly to the Roll Stand Post.
4. Describe attachment of the Table Mount to the Mounting Adapter.
5. Describe attachment of the Handle to the Roll Stand Post.
6. Describe mounting the Flexible Module Server (FMS) on the Roll Stand Post.
7. Describe the monitor mounting procedure.
8. Describe tilt operation and tilt tension adjustment.

Parts Reference

The following parts and hardware are included for this installation procedure (see photos for parts; hardware not shown).

Item #	Description	Qty
1	Roll Stand Post	1
2	Roll Stand Base	1
3	5/16-18 x 1" Hex Head Cap Screw (HHCS)	1
4	5/16 Flat Washer	1
5	5/16 Split Lock Washer	1
6	Utility Basket	1
7	Basket Clips	2
8	#8-32 x 1-1/2" Pan Head Machine Screw (PHMS)	2
9	#8-32 Hex Nut	2
10	Mounting Adapter Assembly	1
11	#10-32 x 7/8" Flat Head Machine Screw (FHMS)	3
12	M6 x 12mm FHMS	1
13	M6 x 8mm FHMS	2
14	Lexan Cover	1
15	Handle	1
16	#10-32 x 9/16" PHMS	2
17	FMS Roll Stand Mounting Adapter (Clamping Blocks)	1
18	M4 x 12mm PHMS	2
19	#10-32 x 9/16" PHMS	2
20	5/32" Hex Key	1
21	9/64" Hex Key	1
*10	Spacer	1
*11	M6 x 16mm Pan Head Machine Screw (PHMS)	2

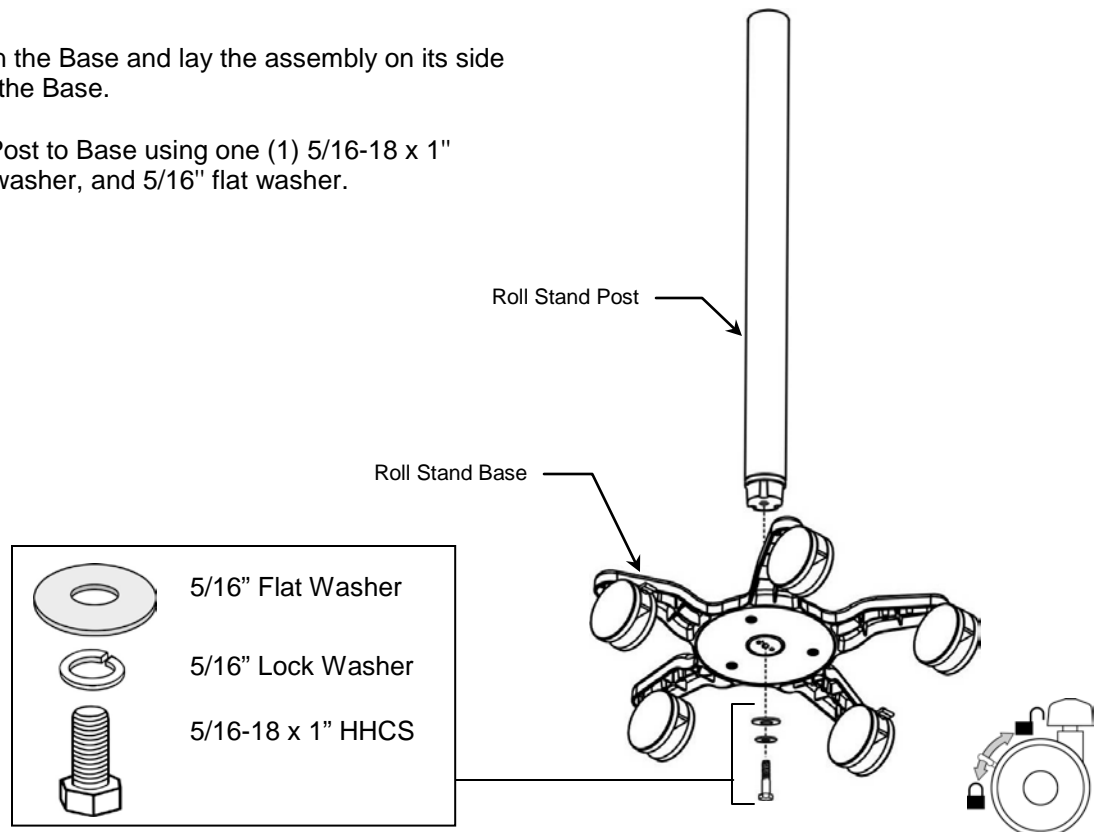


*See "Non-Table Mount" at bottom of page 6 for use of these parts.

Tools Required: Phillips screwdriver, 5/32" [4mm], and 9/64" hex keys (provided), 1/2" [13mm] wrench.

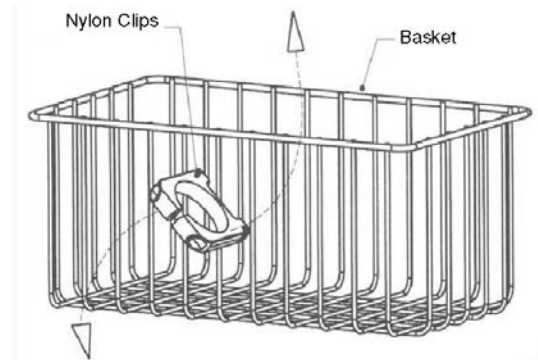
Assembling the Roll Stand

1. Insert the Roll Stand Post in the Base and lay the assembly on its side for access to the bottom of the Base.
2. Using a ½" wrench, fasten Post to Base using one (1) 5/16-18 x 1" HHCS, with 5/16 split lock washer, and 5/16" flat washer.

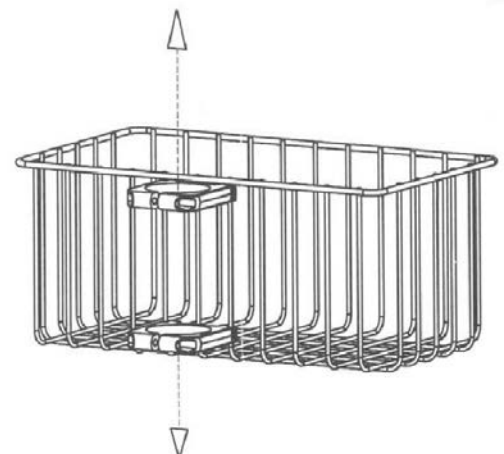


Attaching the Utility Basket to the Roll Stand

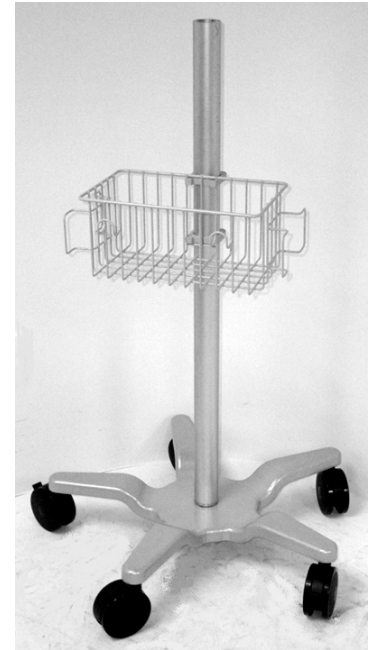
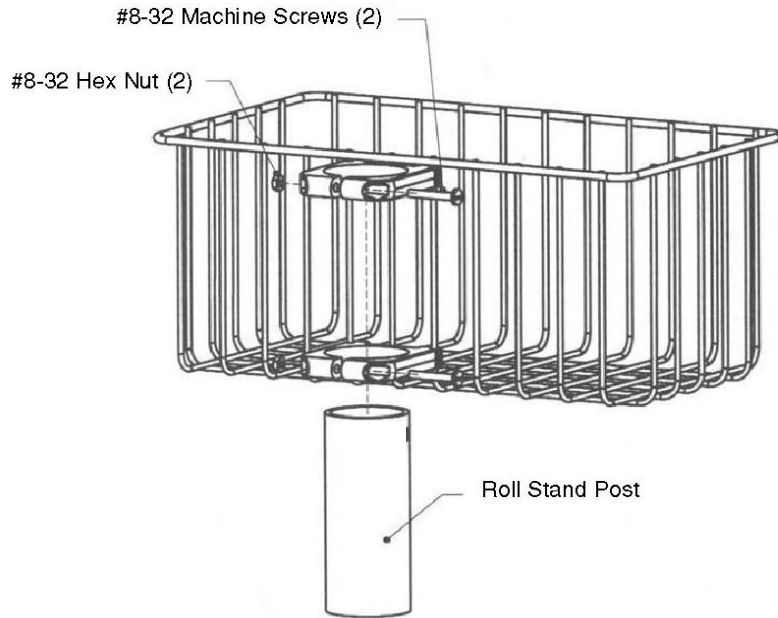
1. Install both Nylon Basket Clips at an angle, in the center of the basket. Rotate the Clips until they are both horizontal.



2. Slide the Clips to the top and bottom of basket. The top Clip should be touching the top horizontal wire, and the bottom Clip should be touching the lower reinforcing wire.

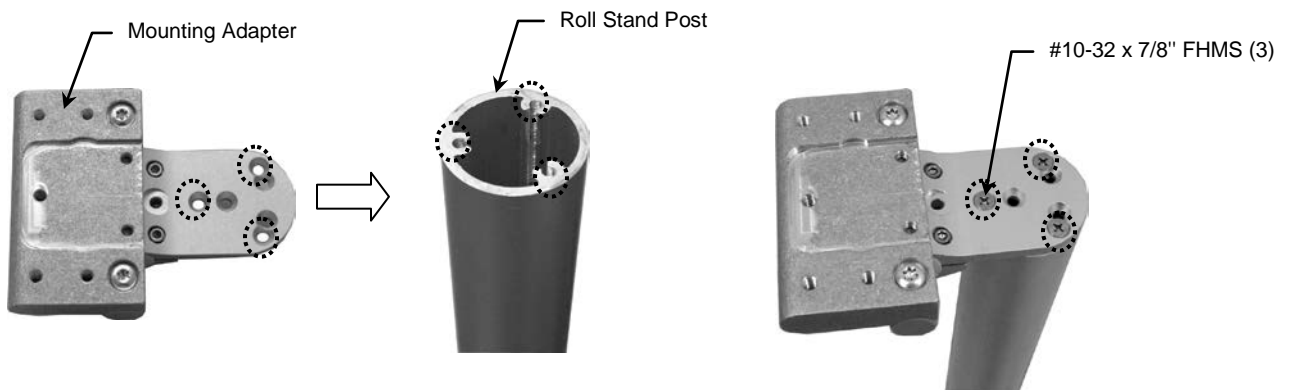


- Slide the Clips (with Basket attached) over the Roll Stand Post and move the Basket to a position approximately 12" below the top of the Post. Assemble the two (2) #8-32 x 1-1/2" PHMS and hex nuts in the Clips as shown below but do not fully tighten the screws at this time. The Basket will be aligned with the Mounting Adapter Assembly later.



Attaching the Mounting Adapter Assembly to the Roll Stand Post

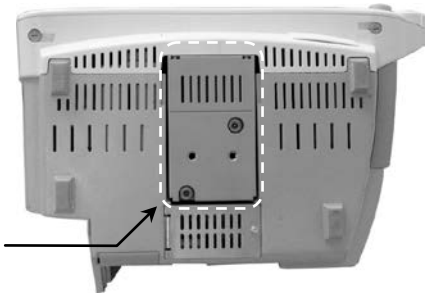
- Using the 3-hole mounting pattern shown on the Mounting Adapter (below left), fasten the Adapter to the top of the Post with three (3) #10-32 x 7/8" FHMS.



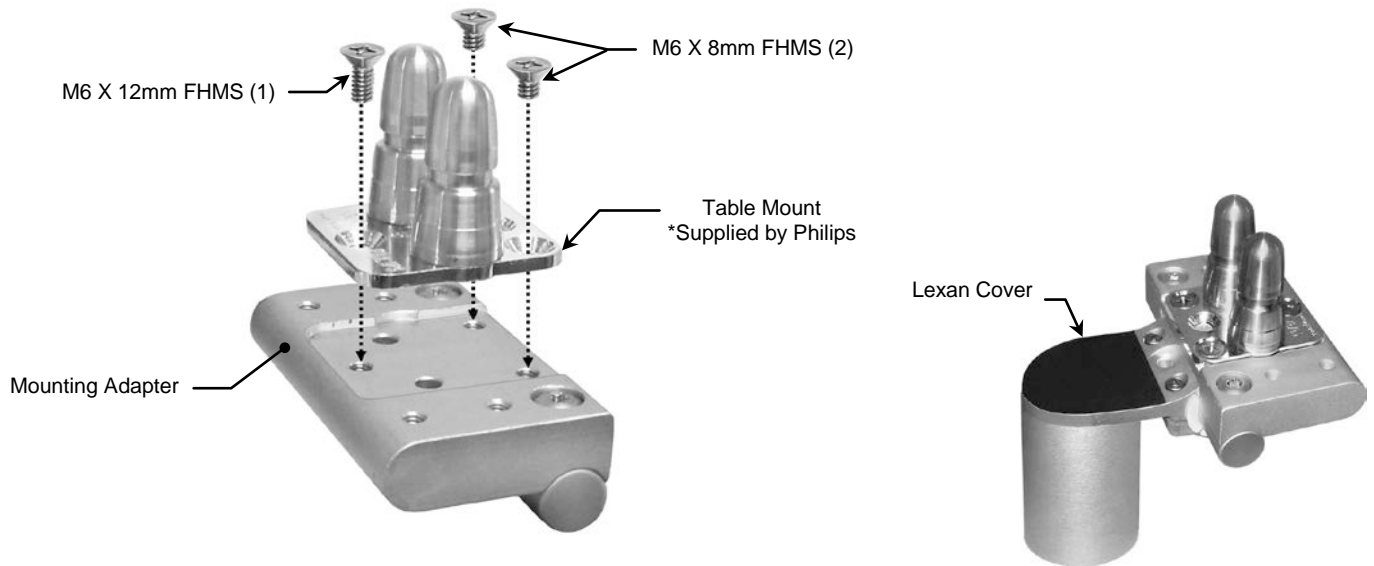
Attaching the Philips Table Mount to the Mounting Adapter

Installation Note: Do not attach the Table Mount to the Arm/Mounting Adapter if you will be mounting a monitor that has the mounting interface shown in photo (right). See "Mounting the Monitor on the Roll Stand" (page 6) for instructions specific to this type of mounting plate.

Do not attach Table Mount if monitor has this mounting interface.

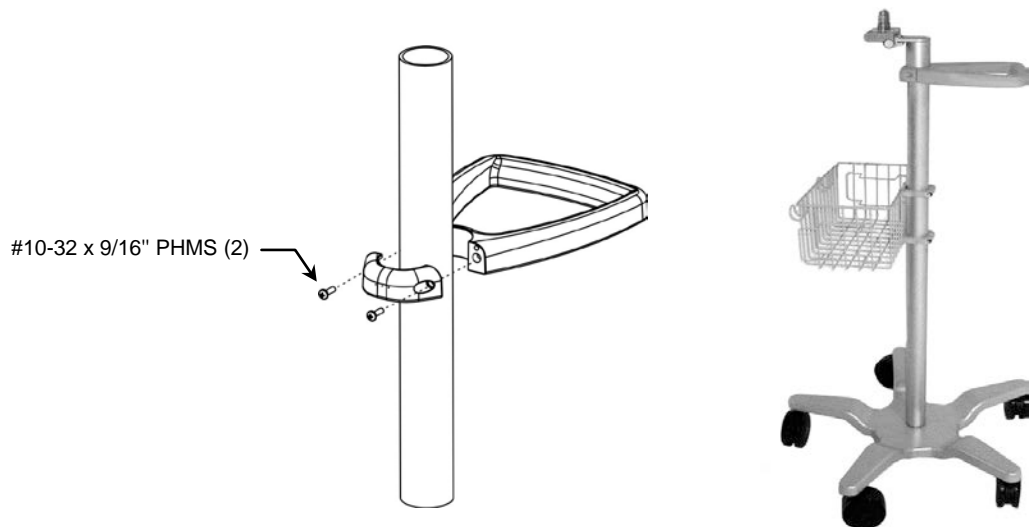


1. Fasten the Philips-supplied Table Mount to the Mounting Adapter with one (1) M6 x 12mm FHMS and two (2) M6 x 8mm FHMS (see below). Peel the backing off the Lexan Cover and place the cover over the mounting screws.



Attaching the Roll Stand Handle

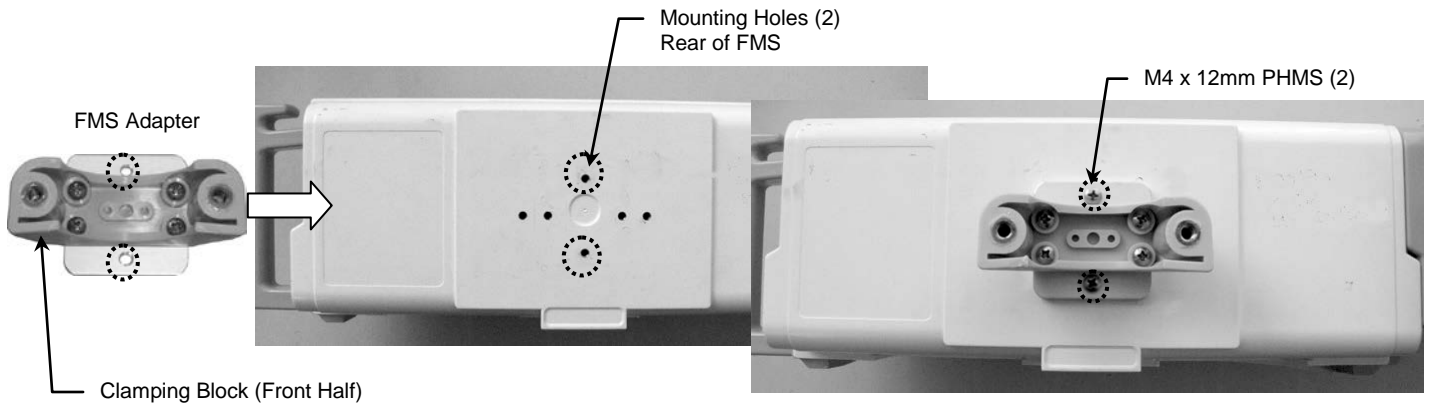
1. Position the Handle approximately 2" below the top of the Roll Stand Post and on the opposite side of the Mounting Adapter Assembly (see photo). Fasten Handle to Post using two (2) #10-32 x 9/16" PHMS as shown.



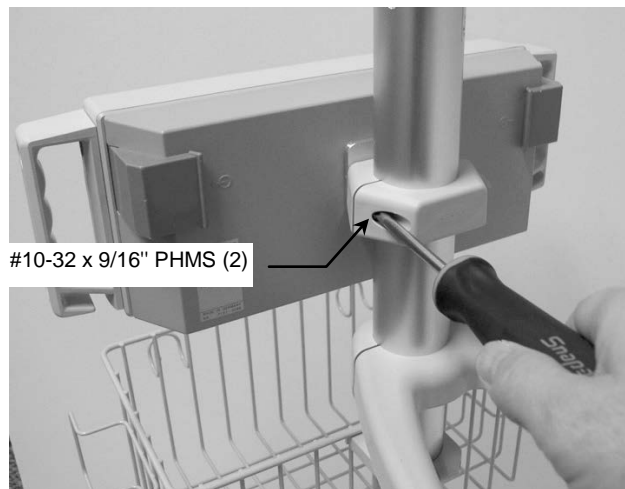
2. Position the Utility Basket beneath the Mounting Adapter Assembly (see photo above) and tighten the Basket Clips.

Mounting the Flexible Module Server (FMS) on the Roll Stand Post

1. Align the two (2) mounting holes in the FMS Roll Stand Adapter with the threaded mounting holes in the rear of the FMS. Fasten the Adapter to the FMS with two (2) M4 x 12mm PHMS.



2. Position FMS on Roll Stand Post. Fasten rear half of Clamping Block to front with two (2) #10-32 x 9/16" PHMS (below left). Alternately tighten screws until FMS is secure on post and does not rotate.



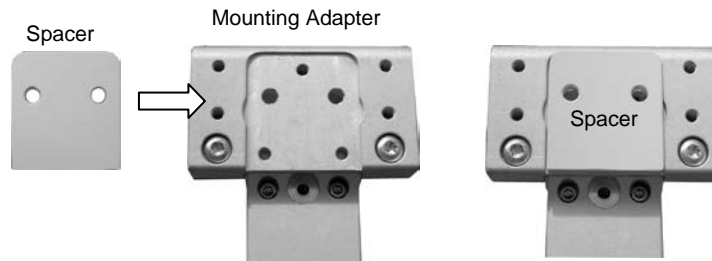
Mounting the Monitor on the Roll Stand

Table Top Mount

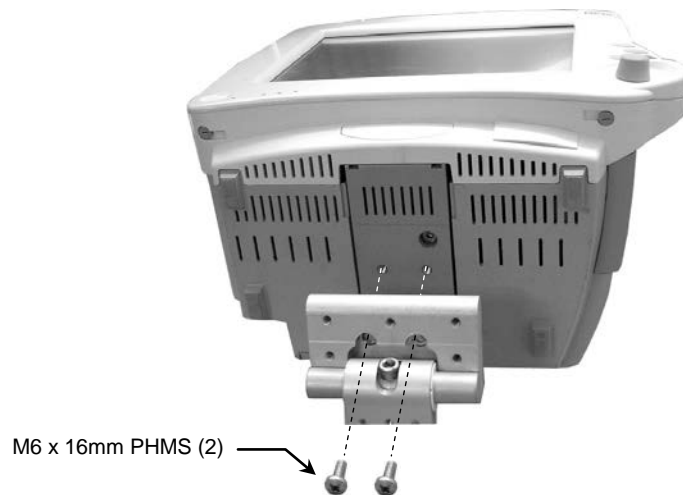
Mount the monitor in accordance with the Philips Table Mount instructions.

Non-Table Mount Interface

1. Fit Spacer into recessed area on top of Mounting Adapter (below). Ensure Spacer remains between Mounting Adapter and monitor.



2. Insert two (2) M6 x 16mm PHMS through bottom of Mounting Adapter and thread into mounting holes in bottom of monitor (below).



Mounting the MX400/450/500/550 Monitor (Fixed Mount Adapter)

Mount the monitor in accordance with separate Installation Guide DU-PH-0073-15 provided with the Mounting Adapter, ordered separately.

Adjusting Tilt and Tilt Tension

Tilt: Grasp the top and bottom of the instrument and tilt it to desired angle.

Tilt Tension: Using the 5/32" hex key provided, equally tighten or loosen the two (2) Tilt Tension Screws.

