

GCX Mounting Assembly Installation Guide

Philips Intellivue MP5/20/30/40/50/60/70, MX400/450/500/550/600/700/800
Counter Top or Horizontal Channel Pedestal Mount

The purpose of this guide is to:

1. Describe the procedure for attaching Table Mount to Mounting Adapter.
2. Describe the procedure for mounting the mounting assembly in a horizontal channel.
3. Describe the procedure for mounting the mounting assembly on a counter top.
4. Describe the procedure for mounting the FMS on the Column.
5. Describe the procedure for mounting the monitor.
6. Describe procedures for swiveling and tilting the monitor and adjusting tilt tension.

Parts Reference

The following parts and hardware are included for this installation procedure (see photos for parts; hardware not shown).

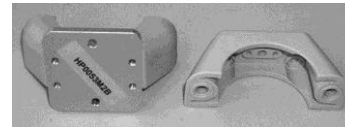
Item #	Description	Qty
1	Mount Assembly	1
2	M6 x 8mm Flat Head Machine Screw (FHMS)	2
3	M6 x 12mm FHMS	1
*4	1/4-20 x 1-3/4" Carriage Bolt	4
*5	1/4-20 x 3/4" Carriage Bolt	4
*6	1-1/4" (OD) Flat Washer	4
*7	1/4-20 Kep Nut	4
8	FMS Mounting Adapter	1
9	M4 x 12mm Pan Head Machine Screw (PHMS)	2
10	#10-32 x 9/16" PHMS	2
**11	Spacer	1
**12	M6 x 16mm Pan Head Machine Screw (PHMS)	2
13	5/32" Hex Key	1



Table Mount
(Supplied by Philips)



Mount Assembly



FMS Mounting Adapter



Spacer

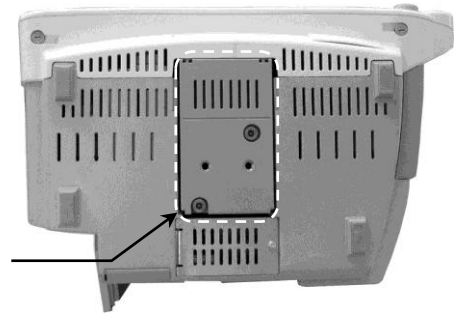
*Required if mounting Pedestal Mount on a counter top.

**See "Non-Table Mount" on page 4 for use of these parts.

Tools Required: *Drill, *17/64" drill bit, *7/16" wrench, Phillips screwdriver, and 5/32" hex key (provided).

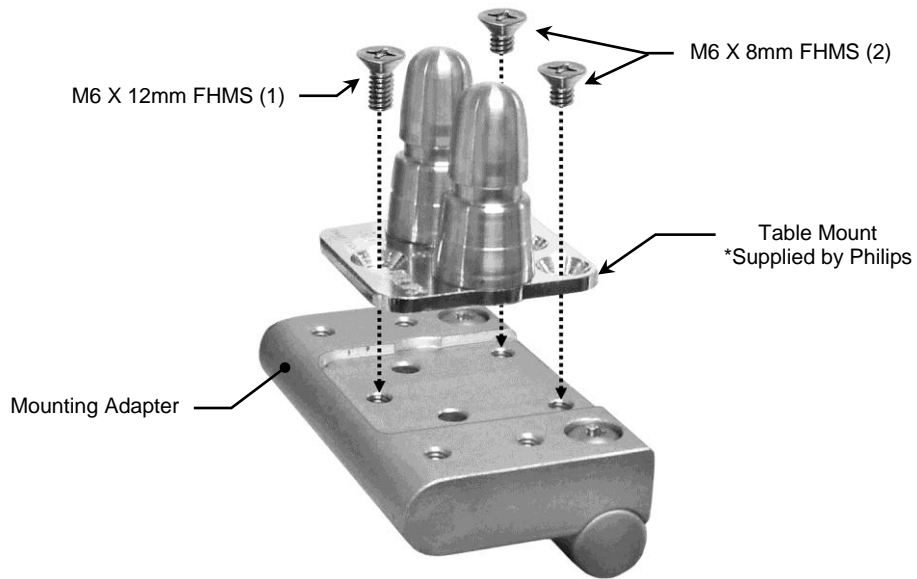
Attaching the Table Mount to the Mounting Adapter

Installation Note: Do not attach the Table Mount to the Arm/Mounting Adapter if you will be mounting a monitor equipped with the mounting interface shown in photo (right). See "Mounting the Monitor on the Arm/Non-Table Mount" (page 4) for instructions specific to this type of mounting plate.



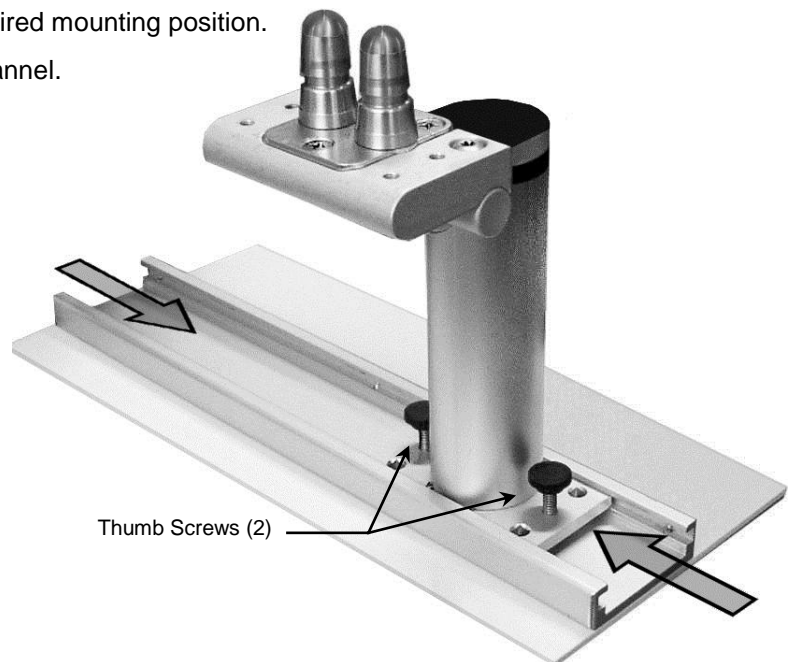
Do not attach Table Mount if monitor is equipped with this mounting interface.

1. Fasten the Table Mount to the Mounting Adapter with one (1) M6 x 12mm FHMS and two (2) M6 x 8mm FHMS as shown below.



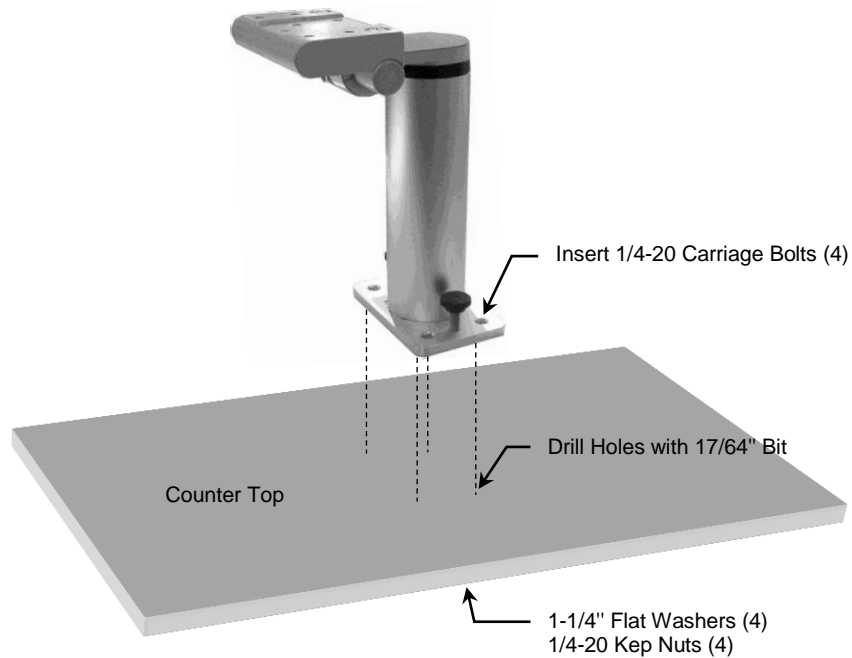
Mounting the Pedestal Mount in a Horizontal Channel

1. Slide the Base Plate into the channel and move to desired mounting position.
2. Tighten two (2) thumb screws to secure position in channel.



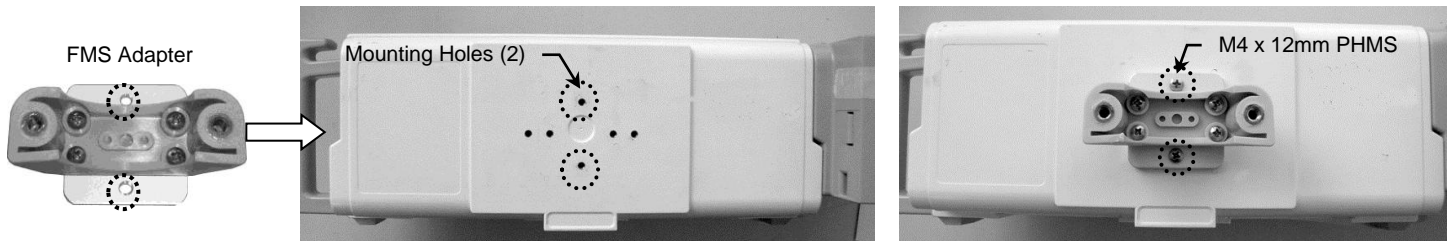
Mounting the Mounting Assembly on a Counter Top

1. Using the Base Plate as a template, drill four (4) holes in the counter top with a 17/64" drill bit.
2. Fasten Base Plate to counter top using four (4) 1/4-20 carriage bolts, four (4) 1-1/4" flat washers, and four (4) 1/4-20 kee nuts. Carriage Bolts are inserted through the Base Plate from the top.

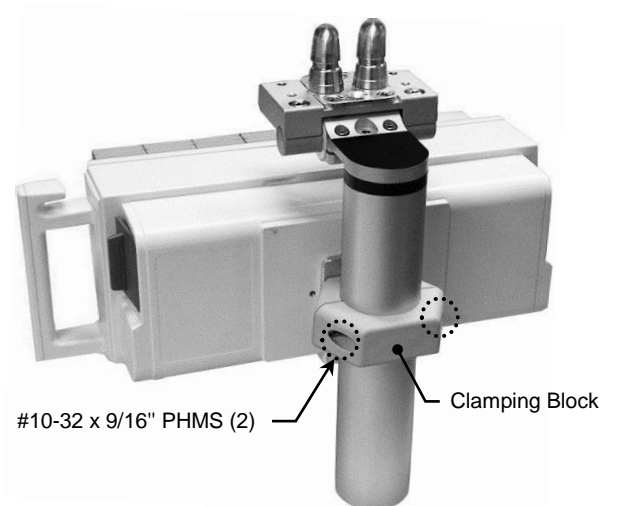


Mounting the Flexible Module Server (FMS) on the Column

1. Align the two (2) mounting holes in the FMS Adapter with the threaded mounting holes in the rear of the FMS. Fasten Adapter to FMS with two (2) M4 x 12mm PHMS.



2. Position FMS on Column. Fasten rear half of Clamping Block to the front with two (2) #10-32 x 9/16" PHMS. Alternately tighten the screws until the FMS is secure on the Column and does not rotate.



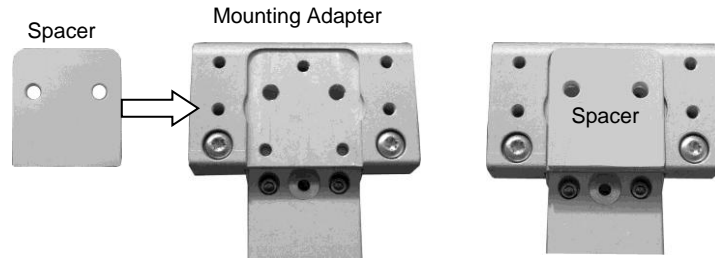
Mounting the Monitor

Table Mount

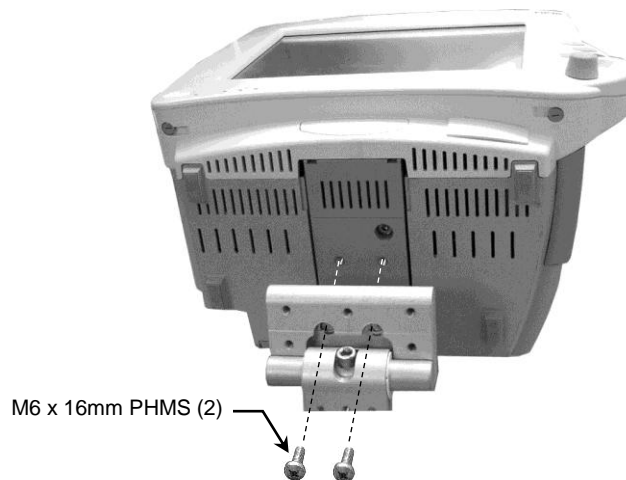
Mount the monitor in accordance with the Philips Table Mount instruction sheet.

Non-Table Mount

1. Fit Spacer into recessed area on top of Mounting Adapter (below). Ensure Spacer remains between Mounting Adapter and monitor.



2. Insert two (2) M6 x 16mm PHMS through bottom of Mounting Adapter and thread into mounting holes in bottom of monitor.



Mounting the MX400/450/500/550 Monitor (Fixed Mount Adapter)

Mount the monitor in accordance with separate Installation Guide DU-PH-0073-15 provided with the Mounting Adapter, ordered separately.

Swiveling the Mounted Instrument

Grasp the sides of the instrument and swivel to desired position. **Note:** Swivel is limited to $\pm 20^\circ$ on this Mount.

Adjusting Tilt and Tilt Tension

Tilt: Grasp the top and bottom of the instrument and tilt it to desired angle.

Tilt Tension: Using the 5/32" hex key provided, equally tighten or loosen the two (2) Tilt Tension Screws.

