



# MASTER LEDspot LV AR111

MAS LEDspotLV D 20-100W 840 AR111 40D

Delivering a warm, halogen-like accent beam, MASTER LEDspot LV AR111 is an ideal retrofit solution for spot and general lighting applications in the hospitality and retail industry. It is particularly suitable for general lighting where the light is on all the time, such as creative accent lighting applications in shops, restaurants, hotels, and especially for galleries, exhibitions and museums. The robustly designed MASTER LEDspot LV AR111 offers various beam angles for a clearly defined beam spread. There is no UV or IR in the beam, making it suitable for illuminating heat-sensitive objects (food, organic materials, paintings, etc.). The patented intelligent driver enables broad compatibility with existing electromagnetic and electronic halogen transformers. MASTER LEDspot LV AR111 delivers huge energy savings and minimizes maintenance cost without any reduction in brightness.

## Product data

### • General Information

Cap-Base	GX53 [ GX53]
Nominal Lifetime (Nom)	25000 h
Switching Cycle	50000X
Technical Type	20-100W

### • Light Technical

Color Code	840 [ CCT of 4000K (841)]
Beam Angle (Nom)	40 °
Light Distribution	40D [ Medium beam]
Luminous Flux (Nom)	1400 lm
Luminous Flux (Rated) (Nom)	1400 lm
Luminous Intensity (Nom)	2350 cd
Color Designation	Cool White (CW)
Rated Beam Angle	40 °
Correlated Color Temperature (Nom)	4000 K
Luminous Efficacy (rated) (Nom)	70 lm/W
Color Consistency	6 steps

Color Rendering Index (Nom)	80
Limf At End Of Nominal Lifetime (Nom)	70 %

### • Operating and Electrical

Power (Rated) (Nom)	20 W
Lamp Current (Nom)	2400 mA
Wattage Equivalent	100 W
Starting Time (Max)	0.5 s
Warm Up Time To 60% Light (Nom)	instant full light
Power Factor (Nom)	0.7
Voltage (Nom)	12 V

### • Temperature

T-Case Maximum (Nom)	80 °C
----------------------	-------

### • Controls and Dimming

Dimmable	Yes
----------	-----

**PHILIPS**

# MASTER LEDspot LV AR111

## • Approval and Application

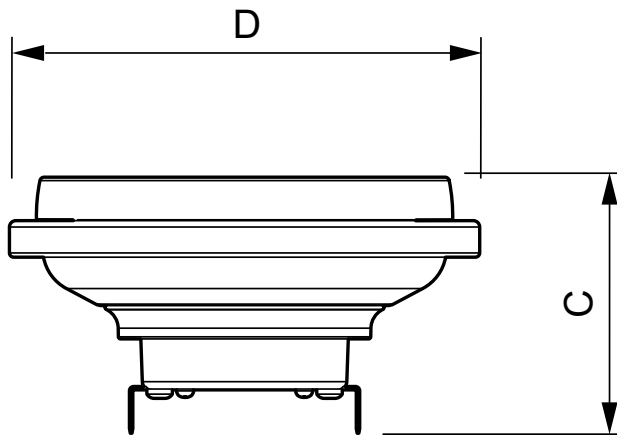
Suitable For Accent Lighting Yes

## • Product Data

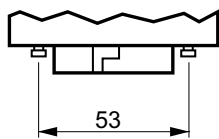
Full product code 871869651530300  
Order product name MAS LEDspotLV D 20-100W 840 AR111 40D

EAN/UPC - Product 8718696515303  
Order code 929001171308  
Numerator - Quantity Per Pack 1  
Numerator - Packs per outer box 6  
Material Nr. (12NC) 929001171308  
Net Weight (Piece) 0.360 kg

## Dimensional drawing



LEDspotLV GX53 AR111



## LED D 20-100W 840 AR111 40D

Product	D	C
MAS LEDspotLV D 20-100W 840 AR111 40D	111 mm	62.27 mm



© 2016 Koninklijke Philips N.V. (Royal Philips)  
All rights reserved.

Specifications are subject to change without notice. Trademarks are the property of Koninklijke Philips N.V. (Royal Philips) or their respective owners.

[www.philips.com/lighting](http://www.philips.com/lighting)

2016, January 26  
data subject to change