



HF-Performer III for TL5 lamps

HF-P 280 TL5/PL-L III 220-240V 50/60Hz

HF-Performer III TL5 ballasts offer maximum versatility and meet all of the necessary commercial grade specifications. They also offer the added benefits of lamp striation reduction technology, making these ballasts compatible with energy-saving TL5 ECO lamps. As such, these ballasts are part of an overall high-efficiency lighting system that may help you or your customers to achieve any international or local energy code you need to comply with. HF-Performer III TL5 ballasts are the ideal choice for a broad range of new construction and retrofit applications within the commercial sector, including general surface mounting or office lighting, parking garages, warehouses, waterproof and other applications.

Product data

• General Characteristics

Application code	III
Rated Lamptype	TL5/PL-L
Rated Number of Lamps	2 piece
Rated Ballast-Lamp Power	80
Line Voltage	220-240 V
Line Frequency	50/60 Hz
Housing	L 425x30x21
Energy Efficiency Index	A2 BAT
Lifetime 90% surv.@Tcaselife	50000 hr
Ignition Method	Warm Start

• Operating Characteristics

Automatic restart	Yes
Ignition time	1.2 (max) s
Operating frequency	45 kHz
Mains voltage safety (AC)	-10%/+10%
Mains voltage performance (AC)	-8%/+6%
Inrush current Peak	40 (max) A
Inrush current Width	0.40 ms
Earth leakage current	0.5 mA
Power losses gear	9.64-7.45 W
Constant wattage deviation	-2%/+2%
Ballast Lumen Factor	1.01 -
PowerFactor 100% output power	0.99 -
Battery voltage lamp ignition	186-275 V

Battery voltage running lamps	176-275
Overvoltage protection 320Vac	48 hr
Overvoltage protection 350Vac	2 hr
Max ballast on MCB(16A type B)	12 x
Crestfactor	1.7 (max) -
Hum and Noise level	< 30 dB(A)

• Wiring Characteristics

Cable-Cap output-wires to earth	200 pF
Cable-Cap output-wires mutual	200 pF
Conn.type input terminals	WAGO 251 universal connector [Suitable for both automatic wiring (ALF and ADS) and manual wiring]
Conn.type output terminals	WAGO 251 universal connector [Suitable for both automatic wiring (ALF and ADS) and manual wiring]
Max. cable length	0.75 m
Hot Wires	
Striplength	8.0-9.0 mm
Dual fixture Master/Slave	Not applicable [Master/Slave oper. not applicable]
Wcs Input terminals	0.50-1.00 mm ²
Wcs Output terminals	0.50-1.00 mm ²

• System Chars on driver level

Rated Lamp Power on PL-L	80
--------------------------	----



asimpleswitch.com

PHILIPS

HF-Performer III for TL5 lamps

System Power on PL-L	87.5
Lamp Power on PL-L	80
Power Loss on PL-L	7.5
Rated Lamp Power on TL5	80
System Power on TL5	89.6
Lamp Power on TL5	80
Power Loss on TL5	9.6

• Temperature Characteristics

T-case life	85 C
T-case maximum	85 (max) C
T-ignition	-25 (min), 60 (max) C
T-ambient	-25 (min), 60 (max) C
T-storage	-40 (min), 50 (max) C

• Emergency Characteristics

Bal Lm Fac Emergency operation	0.7 -
Light output after 5 sec	50% of EBLF
Light output after 60 sec	100% of EBLF
Normal operating voltage (DC)	220-240 V
Batt volt guaranteed ignition	186-275 V
Batt volt guaranteed operation	176-275 V

• Product Dimensions

Length A1	425.0 mm
Fixing Hole Distance	415.0 mm
Length A2	
Width B1	30.0 mm
Height C1	21.0 mm
Fixing Hole Diameter D1	4.2 mm

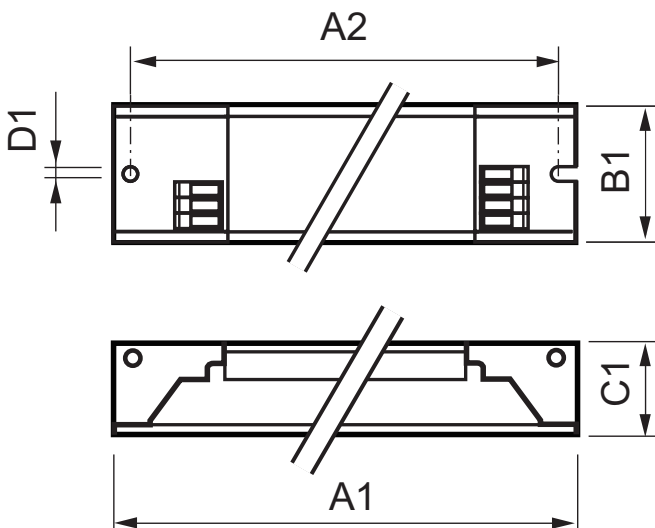
• Approval & Application Chars

EMI 9kHz .. 30 MHz	EN 55015 edition 7.1
EMI 30 MHz .. 1000MHz	EN 55022 level B [Level = Class]
Safety Standard	IEC 61347-2-3
Performance Standard	IEC 60929
Quality Standard	ISO 9000:2000
Environmental Standard	ISO 14001
Harmonic current emissions	IEC 61000-3-2
EMC Immunity	IEC 61547
Vibrations	IEC 68-2-6 Fc
Bumps	IEC 68-2-29 Eb
Humidity	EN 61347-2-3 clause 11
Approval marks	ENEC / VDE-EMV
CE marking	Yes
Temperature marking	110 [Yes]
Emergency standard	IEC 60598-2-22

• Product Data

Order code	913713034366
Full product code	913713034366
Full product name	HF-P 280 TL5/PL-L III 220-240V 50/60Hz
Order product name	HF-P 280 TL5/PL-L III 220-240V 50/60Hz
Pieces per pack	1
Packing configuration	12
Packs per outerbox	12
Bar code on pack - EAN1	8727900952308
Bar code on outerbox - EAN3	8727900952315
Logistic code(s) - 12NC	913713034366
Net weight per piece	0.360 kg

Dimensional drawing

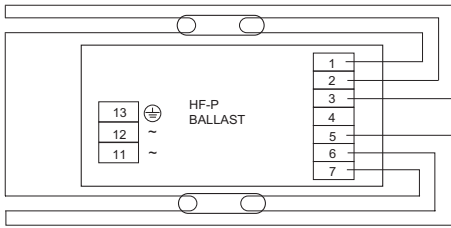


HF-P 280 TL5/PL-L III 220-240V 50/60Hz

Product	A1 (Norm)	A2 (Norm)	B1 (Norm)	C1 (Norm)	D1 (Norm)
HF-P 280 TL5/PL-L III 220-240V 50/60Hz	425.0	415.0	30.0	21.0	4.2

HF-Performer III for TL5 lamps

Dimensional drawing



Photometric data

Ballast type

HF-P 280 TL5/PL-L III 220-240V 50/60Hz

Lamp

TL5 H

TL5 H

PL-L



© 2015 Koninklijke Philips N.V. (Royal Philips)
All rights reserved.

Specifications are subject to change without notice. Trademarks are the property of Koninklijke Philips N.V. (Royal Philips) or their respective owners.

www.philips.com/lighting

2015, August 29
data subject to change