



PrimaVision Compact for CDM

HID-PV C 35 /S CDM 220-240V 50/60Hz

High-quality, compact and lightweight HID electronic gear for optimal and reliable performance of 20, 35, 50 and 70 W CDM lamps

Product data

• General Characteristics

Rated Lamptype	CDM
Rated Number of Lamps	1 piece
Rated Ballast-Lamp Power	35
Line Voltage	220-240 V
Line Frequency	50/60 Hz
Housing	/S
Suitable for Outdoor use?	No
Lifetime 90% surv.@Tcaselife	40000 hr

• Operating Characteristics

Automatic restart	Yes
Ignition switch-off time	18 min
Ignition Voltage	4.0 (max) kV
Operating frequency *	0.14 kHz
Mains voltage safety (AC)	-18%/+10%
Mains voltage performance (AC)	-10%/+6%
Inrush current Peak	26 (max) A
Inrush current Width	0.25 ms
Power losses gear	4.5 W
Constant wattage deviation	-3%/+3%
PowerFactor 100% output power	0.95 -
Overvoltage protection 320Vac	48 hr
Max ballast on MCB(16A type B)	24 x

Hum and Noise level 37 dB(A)

• Wiring Characteristics

Cable-Cap output-wires mutual	100 pF
Connector type	Insert
Max. cable length Device/Lamp	1.5 m
Wcs Ballast contacts	0.50-2.50 mm ²

• Temperature Characteristics

Active temperature protection	Yes
T-case life	80 C
T-case maximum	80 (max) C
T-ambient	-20 (min), 55 (max) C
T-storage	-25 (min), 80 (max) C

• Product Dimensions

Length A1	109.6 mm
Fixing Hole Distance Length A2	98.5 mm
Width B1	74.4 mm
Fixing Hole Distance Width B2	63.7 mm
Height C1	32.2 mm
Fixing Hole Diameter D1	4.9 mm

• Approval & Application Chars

EMI 9 kHz ... 300MHz	CISPR 15 ed 7.2
Safety Standard	EN 61347-2-12
Quality Standard	ISO 9000:2000

PHILIPS

PrimaVision Compact for CDM

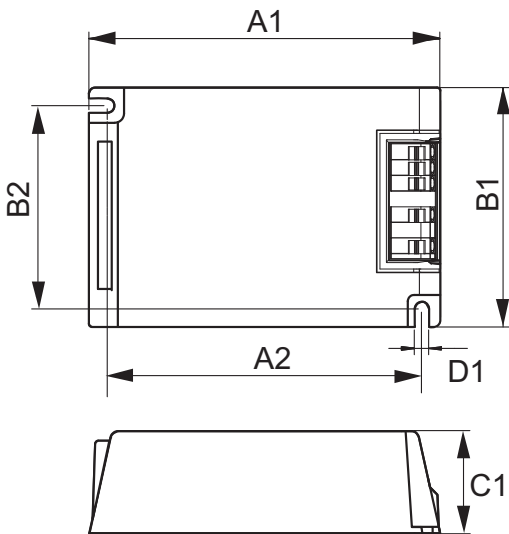
Environmental Standard	ISO 14001
Harmonic current emissions	EN 61000-3-2
EMC Immunity	EN 61547
Vibrations	IEC 68-2-6 Fc
Bumps	IEC 68-2-29 Eb
Humidity	IEC 928-13
Approval marks	ENEC
CE marking	Yes

Full product name	HID-PV C 35 /S CDM 220-240V 50/60Hz
Order product name	HID-PV C 35 /S CDM 220-240V 50/60Hz
Pieces per pack	1
Packing configuration	12
Packs per outerbox	12
Bar code on pack - EAN1	8711500881687
Bar code on outerbox - EAN3	8727900859621
Logistic code(s) - 12NC	913700652766
Net weight per piece	0.240 kg

• **Product Data**

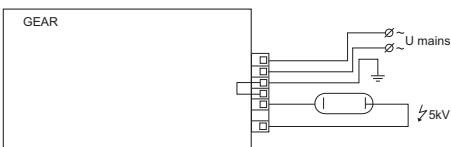
Order code	913700652766
Full product code	913700652766

Dimensional drawing



HID-PV C 35 /S CDM 220-240V 50/60Hz

Product	A1 (Norm)	A2 (Norm)	B1 (Norm)	B2 (Norm)	C1 (Norm)	D1 (Norm)
HID-PV C 35 /S CDM 220-240V 50/60Hz NG	109.6	98.5	74.4	63.7	32.2	4.9



HID-PV CDM Gen 4.3



© 2015 Koninklijke Philips N.V. (Royal Philips)
All rights reserved.

Specifications are subject to change without notice. Trademarks are the property of Koninklijke Philips N.V. (Royal Philips) or their respective owners.

www.philips.com/lighting

2015, August 29
data subject to change