



# Essential LED

## Essential LED 5-50W 2700K MR16 24D

Essential LED is an affordable LED spot lamp that is suitable for replacing halogen spot lamps. It provides a natural lighting effect as well as instant energy savings – an environmentally friendly solution. The Philips Essential LED family is designed for spot and general lighting applications in the hospitality, retail and home segments.

### Product data

#### • General Characteristics

Cap-Base	GU5.3
Bulb	MR16 [MR 16inch/50mm]
Rated Lifetime (hours)	15000 hr
Nominal Lifetime hours	15000 hr

Dimmable	No
Wattage Equivalent	50 W
Rated Wattage	5.0 W
Starting Time	0.5 (max) s
Warm-up Time to 60% Light Outp	instant full light
Suitable for accent lighting	Yes

#### • Light Technical Characteristics

Color Code	827
Color Designation (text)	Warm White
Beam Angle	24 D
Correlated Color Temperature	2700 K
Luminous Flux	355 Lm
Luminous Intensity	1100 cd
Color rendering index	80
Luminous Efficacy Lamp	71.00 Lm/W
Color Temperature	2700 K [CCT 2700K]
Rated Luminous Flux	355 Lm
LLMF - end nominal lifetime	70 %
Colour consistency	6 steps
Rated Beam Angle	24 D

#### • Temperature Characteristics

#### • Environmental characteristics

Energy Efficiency Label (EEL)	A
Energy consumption kWh/1000h	6 kWh

#### • Measuring Conditions

Switching cycle	50000X
-----------------	--------

#### • Product Dimensions

Overall Length C	47.3 mm
Diameter D	49.9 mm

#### • Product Data

Order code	929000237038
Full product code	929000237038
Full product name	Essential LED 5-50W 2700K MR16 24D
Order product name	Essential LED 5-50W 2700K MR16 24D
Pieces per pack	1

#### • Electrical Characteristics

Wattage	5 W
Wattage Technical	5 W
Voltage	12 V
Line Frequency	50-60 Hz
Power Factor	0.5 -
Lamp Current mA	715 mA



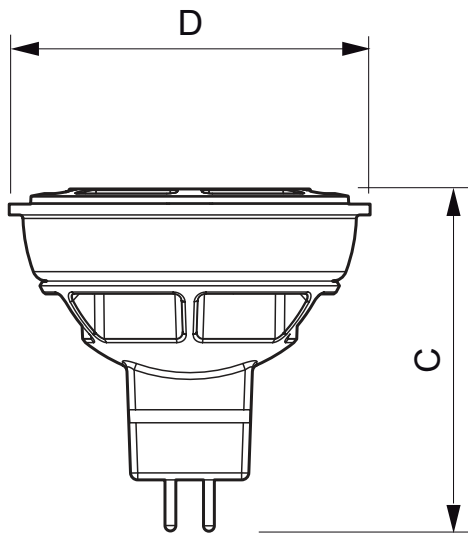
# PHILIPS

## Essential LED

Packing configuration 20  
Packs per outerbox 20  
Bar code on pack - EAN1 8718291680864  
Bar code on outerbox - EAN3 8718291680871

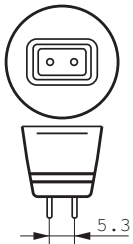
Logistic code(s) - 929000237038  
12NC  
Net weight per piece 0.035 kg

### Dimensional drawing



### Essential LED 5-50W 2700K MR16 24D

Product	C (Norm)	D (Norm)
LED 5-50W 2700K MR16 24D	47.3	49.9



GU5.3



© 2015 Koninklijke Philips N.V. (Royal Philips)  
All rights reserved.

Specifications are subject to change without notice. Trademarks are the property of Koninklijke Philips N.V. (Royal Philips) or their respective owners.

[www.philips.com/lighting](http://www.philips.com/lighting)

2015, August 29  
data subject to change