

PHILIPS

SmartBright



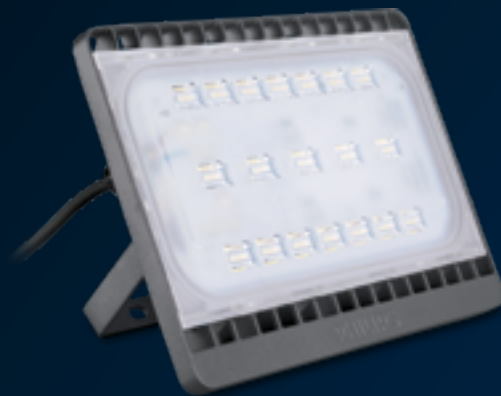
Trusted



Reliable



Great value



Now with new
tri-colour
and **dual power**
variants!

No choice or **no limits?**

Real professionals choose **Philips SmartBright**
for their **everyday lighting installations**



**REAL
PROs**

**REAL
QUALITY**

philips.com/smartbright

Choosing Philips LED has **never** **been simpler**

Count on honest, hard-working solutions that deliver what they promise.

Get the trusted performance, reliability and results you'd expect from Philips key components – plus at prices that are definitely on your side!

Philips SmartBright – the essential range of lighting products for your everyday installations.

Trusted



What you need and expect **is what you get**. And that's a promise you can count on every time!

Reliable



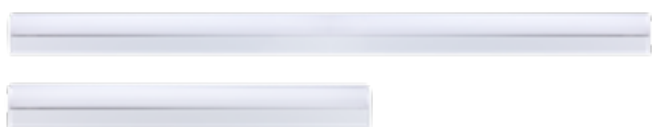
Proven Philips quality. Every key component is tested to deliver **maximum reliability** and long-term performance.

Great value



Perfect results shouldn't come with painful prices. With SmartBright, you have **great value lighting** from the leader in LED.

The Philips **SmartBright range** of LED luminaires



SmartBright tri-colour standard batten



SmartBright tri-colour weatherproof batten



SmartBright tri-colour slim panel



SmartBright tri-colour downlight



SmartBright tri-colour bulkhead



Essential Smartbright floodlight



SmartBright floodlight



SmartBright highbay



SmartBright streetlight

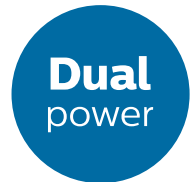
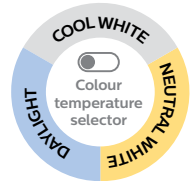
SmartBright tri-colour standard batten



The ideal solution for general indoor lighting applications

Key features:

- Available in both 600mm and 1,200mm lengths
- Selectable dual power output to suit multiple application environments
- 3 selectable colour temperatures in each device
- 50,000 hour service life (L70) / 5 year warranty

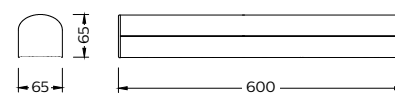


Order code	Barcode	Power	Light output	CCT	Length
		W	lm	K	mm
BN125CSWTL600P	8710163344362	12/20	1380/2000	4000/5000/6500	600
BN125CSWTL1200P	8710163344379	20/40	2300/4000	4000/5000/6500	1,200

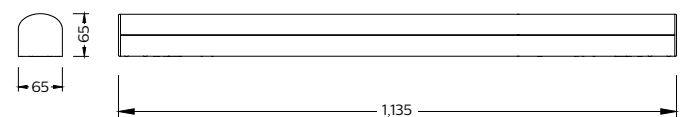
Technical specifications

CRI	> 80
Beam angle	130°
IP / IK rating	IP20/IK02
Lifetime	50,000 hrs (L70)
Input voltage	220-240V, 50/60Hz
Power factor	> 0.9
Electrical class	Class I
Housing colour	RAL9016 white
Material	Housing: Metal Diffuser: Polycarbonate (PC)

600mm



1,200mm



SmartBright tri-colour weatherproof batten

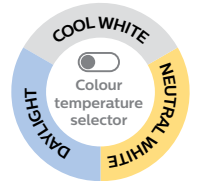


Standard, adaptable multi-environment lighting

Key features:



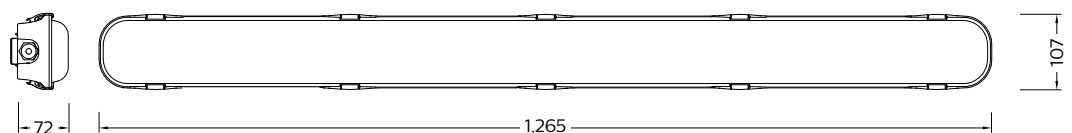
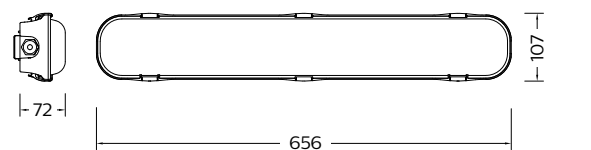
- Available in 600mm and 1,200mm lengths
- 3 colour temperatures and dual power settings in each part number
- Quick clip cover removal – fast and easy installation
- 50,000 hour service life (L70) / 5 year warranty
- High degree of protection for outdoor applications (IP65/IK08)



Order code	Barcode	Power	Light output	CCT	Length
		W	lm	K	mm
WT067CSWTL600P	8710163344300	10/20	1000/2000	4000/5000/6500	600
WT067CSWTL1200P	8710163344317	20/40	2000/4000	4000/5000/6500	1,200

Technical specifications

CRI	> 80
Beam angle	110°
IP / IK rating	IP65/IK08
Lifetime	50,000 hrs (L70)
Input voltage	220-240V, 50/60Hz
Power factor	> 0.9
Electrical class	Class I
Housing colour	RAL7035 light grey
Material	Housing: Polycarbonate (PC) Diffuser: Polycarbonate (PC)



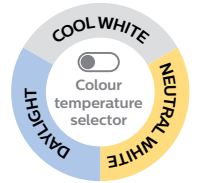
SmartBright tri-colour slim panel

Perfect for your everyday ceiling lighting installations



Key features:

- Available in two standard sizes – 600 x 600mm and 300 x 1,200mm
- Three colour temperature settings – one device for many applications
- Excellent colour rendering capability – CRI 80+
- Slim design for discreet and easy installation
- Pre-wired with 1.5m cable and plug
- 50,000 hour service life (L70) / 5 year warranty

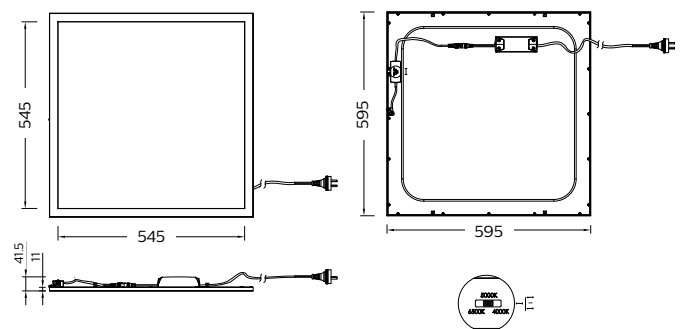


Order code	Barcode	Power		Light output		CCT		Length
		W		lm		K		mm
RC170BL38P6060	8710163343440	38		3800		4000/5000/6500		600
RC170BL38P30120	8710163343433	38		3800		4000/5000/6500		1,200

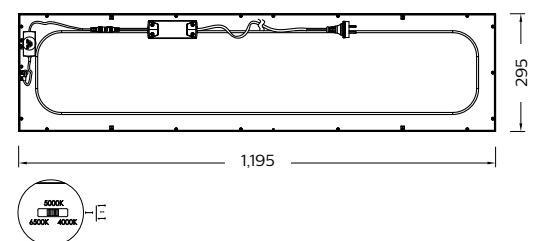
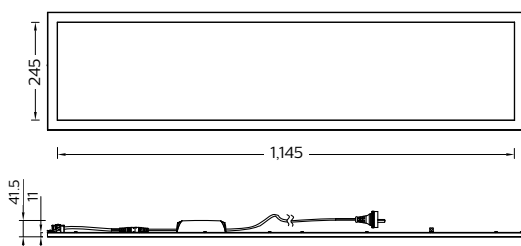
Technical specifications

CRI	> 80
Beam angle	110°
IP / IK rating	IP20/IK02
Lifetime	50,000 hrs (L70)
Input voltage	220-240V, 50/60Hz
Power factor	> 0.9
Electrical class	Class II
Housing colour	RAL9016 white
Material	Housing: Aluminium frame + Metal housing Diffuser: PMMA Light guide

600 x 600mm



300 x 1,200mm



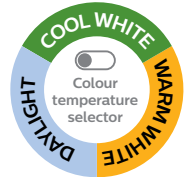
Essential SmartBright G3 tri-colour downlight

Colour temperature selectable, dimmable, superfast installation



Key features:

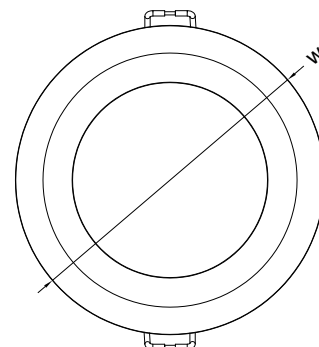
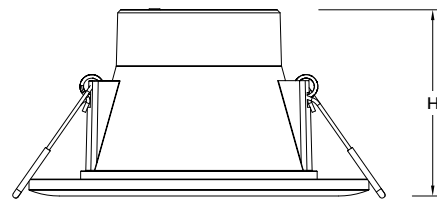
- Select from 3 colour temperatures with a slide of the switch
- Trailing/leading edge dimmable for further ambience adjustment
- Neat and professional design finish
- 25,000 hour service life (L70) / 3 year warranty
- Fast and easy to install – pre-wired to plug



Order code	Barcode	Power	Light output	CCT	W Ø
		W	lm	K	mm
ESB3LED8CCTTLE	8710163314709	10	800	3000/4300/6500	115
ESB3LED12CCTTLE	8710163317182	14	1200	3000/4300/6500	175
ESB3LED20CCTTLE	8710163317199	24	2000	3000/4300/6500	225

Technical specifications

CRI	> 80
IP / IK rating	IP44 (Front)
Lifetime	25,000 hrs (L70)
Input voltage	220–240V, 50/60Hz
Power factor	0.8
Electrical class	Class II
Housing colour	RAL9003
Material	Housing: Polybutylece Terephthalate (PBT) Diffuser: Polycarbonate (PC)



Power (W)	Diameter (Ø W)mm	Height (H)mm	Cut-out (mm)
10	115	63	85–95
14	175	64	145–155
24	225	64	195–205

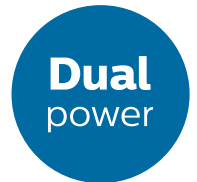
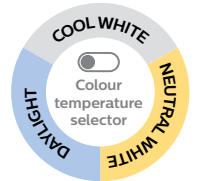
SmartBright tri-colour weatherproof bulkhead

The reliable and flexible exterior lighting solution



Key features:

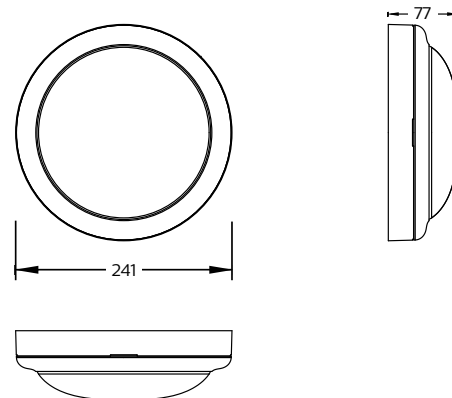
- Dual power and tri-colour settings all in a single part number
- Multi-purpose weatherproof design with IP65/IK08 rating
- 50,000 hour service life (L70) / 5 year warranty
- Ideal for vertical wall mounting or horizontal ceiling mounting



Order code	Barcode	Power	Light output	CCT	W Ø
		W	lm	K	mm
WL020CLSWTSCCT	8710163344386	8/16	800/1600	4000/5000/6500	241

Technical specifications

CRI	> 80
Beam angle	120°
IP / IK rating	IP65/IK08
Lifetime	50,000 hrs (L70)
Input voltage	220-240V, 50/60Hz
Power factor	> 0.9
Electrical class	Class II
Housing colour	RAL9016 white
Material	Housing: Polycarbonate (PC) Diffuser: Polycarbonate (PC)



Essential SmartBright G3 LED floodlight

Reliable energy savings



Key features:

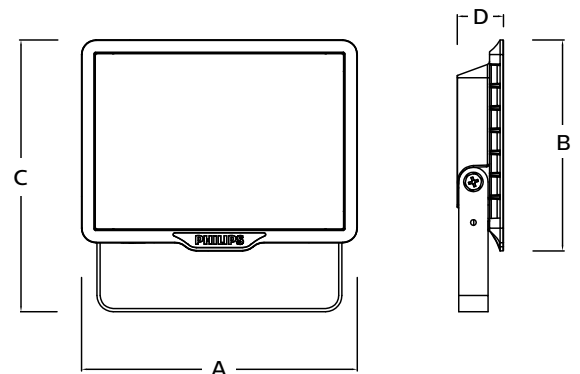
- Excellent light output ranging from 850 to 5950lm
- Ideal replacement for conventional halogen floodlights
- Robust die-cast aluminium housing for a wide variety of application environments
- Designed for harsh environmental conditions from -40°C to 50°C
- 20,000 hour service life (L70B50) / 3 year warranty



Order code	Barcode	Power		Light output		CCT	Includes
		W		lm	K		
BVP150L8NW10W	8710163336046	10		850	4000		300mm flying cable
BVP150L17NW20W	8710163336077	20		1700	4000		300mm flying cable
BVP150L25NW30W	8710163336107	30		2550	4000		300mm flying cable
BVP150L42NW50W	8710163336138	50		4250	4000		300mm flying cable
BVP150L59NW70W	8710163336169	70		5950	4000		500mm flying cable

Technical specifications

CRI	80
Beam angle	SWB (110°)
IP/IK rating	IP65/IK06
Lifetime	20,000 hrs (L70B50 @ 25°C)/3 years
Input voltage	220-240V, 50/60Hz
Power factor	> 0.9
Electrical class	Class I
Housing colour	Black
Material	Housing: Die-cast aluminium, powder coated black Front cover: Textured tempered glass Bracket: Steel, powder coated black



Power (W)	A (mm)	B (mm)	C (mm)	D (mm)
10	115	92	117	28
20	140	110	133	28
30	170	130	168	29
50	200	145	181	33
70	245	185	220	36

SmartBright LED floodlight

Reliable, high performance



Key features:

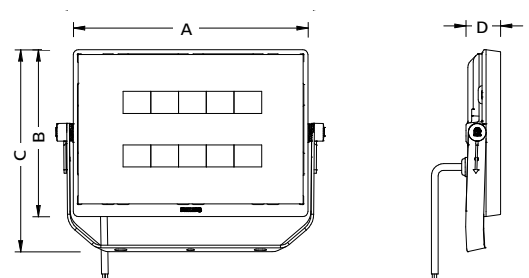
- Excellent light output ranging from 2600 to 19000lm
- Ideal replacement for conventional HID floodlights
- Robust, high quality construction
- Designed for harsh environmental conditions from -40°C to 45°C
- 30,000 hour service life (L70B50) / 3 year warranty



Order code	Barcode	Power	Light output	CCT	Includes
		W	lm	K	
SBFLED26NW30W	8710163320793	30	2600	4000	600mm flying cable
SBFLED43NW50W	8710163320854	50	4300	4000	600mm flying cable
SBFLED66NW70W	8710163320915	70	6650	4000	1,000mm flying cable
SBFLED90NW100W	8710163321035	100	9500	4000	1,000mm flying cable
SBFLED190NW200W	8710163319704	200	19000	4000	1,000mm flying cable

Technical specifications

CRI	70
Beam angle	Asymmetric Wide Beam (30x80°)
IP / IK rating	IP65/IK07
Lifetime	30,000 hrs (L70B50 @ 35°C)/3 years
Input voltage	220-240V, 50/60Hz
Power factor	> 0.9
Electrical class	Class I
Housing colour	Dark Grey (RAL7043)
Material	Housing: Die-cast aluminium, powder coated dark grey Front cover: UV-resistant Polycarbonate Bracket: Steel, powder coated dark grey



Power (W)	A (mm)	B (mm)	C (mm)	D (mm)
30	195	143	155	34
50	270	202	205	38
70	265	190	235	40
100	316	190	235	53
200	350	290	335	65

SmartBright highbay G3

Excellent light quality,
maximum energy savings



Key features:

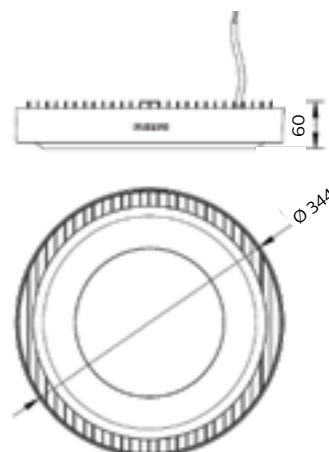


- System efficacy 100lm/W provides high energy savings of up to 65% compared to HID system
- One-to-one replacement for retrofitting HID Highbay luminaires
- 30,000 hour service life (L70) / 3 year warranty
- Accurate light, good lighting experience, CRI>80

Order code	Barcode	Power	Light output	CCT	W Ø	Includes
		W	lm	K	mm	
BY239PL15NWPSU	8710163347257	145	15000	4000	344	3m Flex & Plug
BY239PL15CWPSU	8710163347233	145	15000	5000	344	3m Flex & Plug
BY239PL20NWPSU	8710163347271	190	20000	4000	344	3m Flex & Plug
BY239PL20CWPSU	8710163347295	190	20000	5000	344	3m Flex & Plug

Technical specifications

CRI	> 80
Beam angle	WB (100°)
IP / IK rating	IP65/IK06
Lifetime	30,000 hrs (calculated L70B50) @ 35°C
Input voltage	220-240V, 50/60Hz
Power factor	> 0.9
Electrical class	Class I
Housing colour	Dark grey
Material	Housing: Aluminium die-casting Diffuser: Polycarbonate (PC)



SmartBright LED streetlight

Sleek, reliable and cost-efficient LED road lighting



Key features:

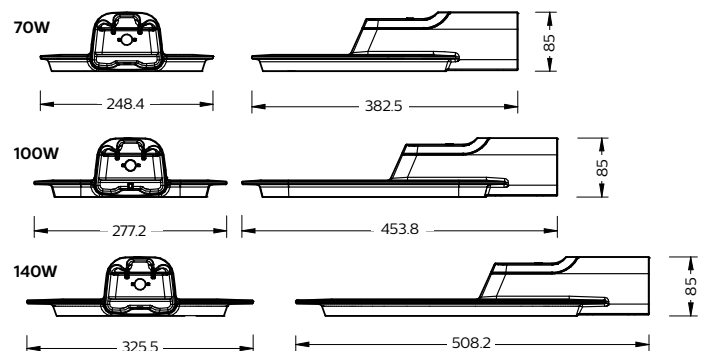
- Excellent light output ranging from 7350 to 14700lm
- Ideal replacement for conventional SON or HPL streetlights
- Reliable design with diecast aluminium housing
- Designed for harsh environmental conditions from -40°C to 50°C
- 30,000 hour service life (L70) / 3 year warranty



Order code	Barcode	Power	Light output	CCT	Includes
		W	lm	K	
SBLED70NW70WDM	8710163319414	70	7350	4000	10kA/kV SPD
SBLED100N100WDM	8710163322032	100	10500	4000	10kA/kV SPD
SBLED140N140WDM	8710163319452	140	14700	4000	10kA/kV SPD

Technical specifications

CRI	70
Beam angle	Road Optic DM (Medium)
IP/IK rating	IP66/IK08
Lifetime	30,000 hrs (L70B50 @ 35°C)/3 years
Input voltage	220-240V, 50/60Hz
Power factor	> 0.9
Electrical class	Class I
Housing colour	Dark Grey
Material	Housing: Die-cast aluminium with finless design, powder coated dark grey Front cover: Polycarbonate (PC)





2019 Signify Holding. All rights reserved. The information provided herein is subject to change, without notice. Signify does not give any representation or warranty as to the accuracy or completeness of the information included herein and shall not be liable for any action in reliance thereon. The information presented in this document is not intended as any commercial offer and does not form part of any quotation or contract, unless otherwise agreed by Signify. Philips and the Philips Shield Emblem are registered trademarks of Koninklijke Philips N.V. All other trademarks are owned by Signify Holding or their respective owners.

www.philips.com/smartbright