

# Minimalist scale, unequaled performance that delivers

## CHOPSTICK SUSPENDED LED



SEMI-INDIRECT, MESOOPTICS LENS  
4000K, 4800 LM/4FT

**Project:** \_\_\_\_\_

**Spec Type:** \_\_\_\_\_

**Catalog No:** 7505LACxN \_\_\_\_\_

**Qty** \_\_\_\_\_

**Line Notes:** \_\_\_\_\_



### Ordering guide

Product Type	Source	Color *	Lumens *	Lower Optics	Upper Optics	Run Length	Wiring †	Voltage	Driver ‡	Color
<input type="text" value="7505"/>	<input type="text" value="L"/>	<input type="text" value="A"/>	<input type="text" value="C"/>	<input type="text" value="x"/>	<input type="text" value="N"/>	<input type="text"/>	<input type="text"/>	<input type="text"/>	<input type="text"/>	<input type="text"/>
Chopstick "Susp Semi-Indirect	L LED	A 4000K B 3500K C 3000K	C 4800 lm/4ft E 3400 lm/4ft	Q 4ft MesoOptics S 6ft MesoOptics	N None	04 4' 06 6' 08 8'	1 1 cct 3 1 cct w/ EM cct 7 1 cct w/ Dimming 8 1 cct w/ TV B 2 cct A/B	1 120V 2 277V 3 347V	E Standard	W White T Titanium Silver B Black C Custom Color

\* Nominal values † Consult website for complete list of standard wiring options ‡ Driver details on following pages

### Mounting Hardware

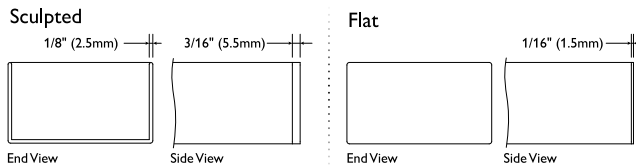
Mount Type  
Consult separate mounting spec sheet for mount type options

Suspension Length  
Distance from ceiling to top of luminaire in inches

Endcaps -

**Integrated Controls** Please indicate with check mark.

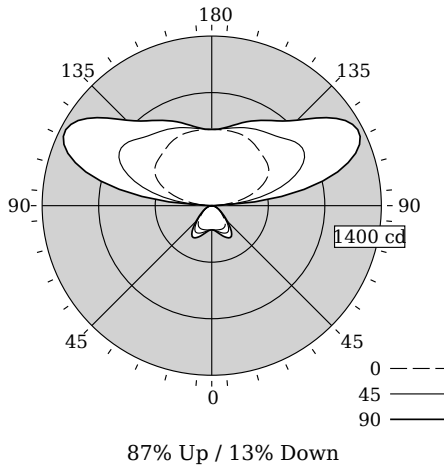
Response Daylight Single Zone (DS)



# CHOPSTICK SUSPENDED LED

Semi-Indirect, MesoOptics Lens

## Photometry



**LED Lighting facts**  
A Program of the U.S. DOE

**Light Output (Lumens)** 4871  
**Watts** 46.7  
**Lumens per Watt (Efficacy)** 104

**Color Accuracy**  
Color Rendering Index (CRI) **82**

**Light Color**  
Correlated Color Temperature (CCT) **3927 (Bright White)**

Warm White    Bright White    Daylight  
2700K    3000K    4500K    6500K

**Warranty\*\*** Yes

All results, except LED Lumen Maintenance, are according to IESNA LM-79-2008: Approved Method for the Electrical and Photometric Testing of Solid-State Lighting. The U.S. Department of Energy (DOE) verifies product test data and results.

\*\* See [www.lightingfacts.com/products](http://www.lightingfacts.com/products) for details.

Registration Number: F46Z-HPQEOS (3/20/2014)  
Model Number: 7505LACxx04  
Type: Luminaire - Linear

<b>Total Output</b>	<b>4871 lm</b>
<b>Efficacy</b>	<b>104.3 lm/W</b>
<b>CCT</b>	<b>3927K</b>
<b>CRI</b>	<b>82</b>
<b>R9</b>	<b>10</b>
<b>Distribution</b>	<b>87% Up / 13% Down</b>
<b>Peak/Zenith Ratio</b>	<b>2.16</b>
<b>Peak Output</b>	<b>1359 cd @ 118°</b>
Meets RP-1-04 recommendations for VDT-Intensive spaces	

Values per 4ft unit

Fixture photometry has been conducted by an NVLAP accredited testing laboratory in accordance with IESNA LM-79:2008

Lumen maintenance of the LEDs has been tested by the manufacturer in accordance with IESNA LM-80:2008

IES files for this and other photometric options can be downloaded online at [www.lightingproducts.philips.com](http://www.lightingproducts.philips.com)

## Candela Distribution

Vertical Angle	Horizontal Angle				Zonal Lumens
	0	22.5	45	67.5	
0	199	199	199	199	199
5	202	199	202	204	204
15	206	209	223	236	239
25	211	221	250	280	290
35	194	208	243	276	287
45	140	146	163	177	182
55	88	89	96	100	100
65	52	54	57	57	57
75	23	25	25	25	27
85	4	6	7	7	8
90	0	0	0	0	0
95	99	120	185	298	355
105	325	393	590	909	1076
115	492	587	833	1174	1352
125	568	662	880	1130	1256
135	590	653	797	937	998
145	617	653	747	827	858
155	635	655	707	754	771
165	635	642	665	682	687
175	631	628	633	635	633
180	629	629	629	629	629

## Coefficients of Utilization (%)

RCR	Ceiling: 80				70				50				0			
	70	50	30	10	70	50	30	10	70	50	30	10	70	50	30	10
0	98	98	98	98	86	86	86	86	63	63	63	63	13	13	13	13
1	90	86	82	79	78	75	72	55	53	52	52	11	11	11	11	11
2	82	75	69	64	71	66	61	48	45	43	43	10	10	10	10	10
3	75	66	59	54	65	58	52	43	39	36	36	8	8	8	8	8
4	68	58	51	45	59	51	45	38	34	31	31	7	7	7	7	7
5	62	52	44	38	54	45	39	34	29	26	26	6	6	6	6	6
6	57	46	38	33	50	41	34	30	26	23	23	6	6	6	6	6
7	53	41	34	29	46	36	30	27	23	20	20	5	5	5	5	5
8	49	37	30	25	42	33	27	25	20	17	17	4	4	4	4	4
9	45	34	27	22	39	30	24	22	18	15	15	4	4	4	4	4
10	42	31	24	19	37	27	21	20	16	14	14	4	4	4	4	4

## Avg. Luminance (cd/m<sup>2</sup>)

Vertical Angle	Horizontal Angle		
	0	45	90
55	4488	4922	5139
65	3635	3930	3930
75	2567	2887	3048
85	1429	2382	2858

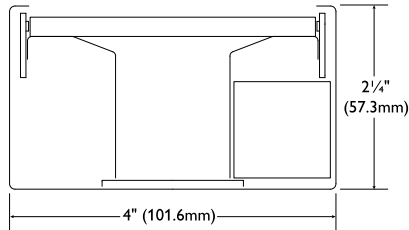
## Electrical Specifications

<b>Input Voltage</b>	<b>120V</b>	<b>277V</b>
<b>Input Power</b>	<b>46.7W</b>	<b>46.1W</b>
<b>Input Current</b>	<b>0.394A</b>	<b>0.179A</b>
<b>Power Factor</b>	<b>0.988</b>	
<b>Total Harm. Distortion</b>	<b>13.2%</b>	
Tested values – contact technical support for rated values. Off-state power zero unless certain controls are specified.		

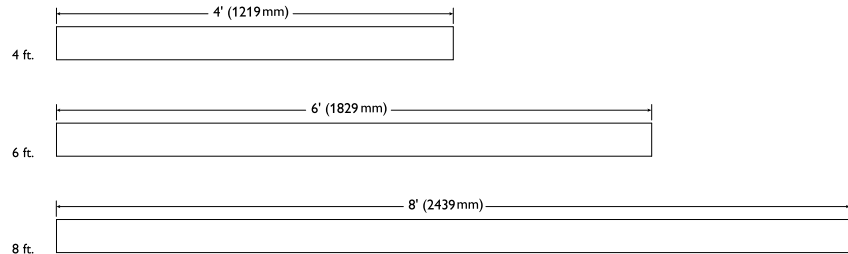
# CHOPSTICK SUSPENDED LED

Semi-Indirect, MesoOptics Lens

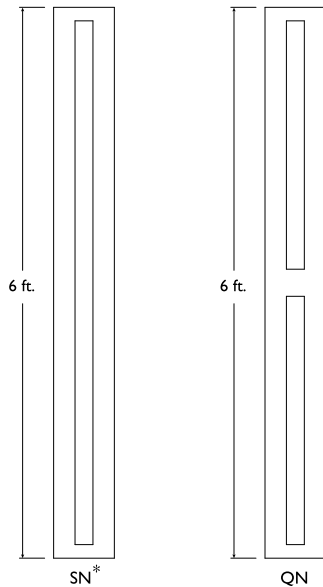
## Options and Details



### Modules



## Optics & Styles



\*SN optic is only available in 6ft modules

### Housing

Precision formed 20 gauge cold-rolled steel.

### Weight

Maximum 3.0lb/ft.

### Optical System

A low-profile light guide panel is edge lit by an LED array. The light guide couples and transmits the light via total internal reflection, then the etched surface of the panel optimizes the light extraction to create a semi-indirect (suspended) or direct/indirect (wall) distribution. Light is purified and controlled by MesoOptics film as it passes through the nonglare acrylic lens.

### Standard Driver

Dimming: 0-10V, 5-100%. Output is Class 2 rated.

### Lumen Maintenance

At an ambient temperature of 25°C, the LED lumen maintenance expectation is  $L_{80}$  (12k) 70,000 hrs.

### Mounting

**Suspended:** tamper-resistant aircraft cable grippers provide infinite vertical adjustment capability. Aircraft cable, crimp and cable gripper are independently tested to meet stringent safety requirements. **Wall:** Steel mounting brackets provided, spaced 4ft on center, fixture held 3/4" from wall.

### Joints

Self-aligning joining system with hands-free pre-joining wire access.

### Endcaps

Diecast aluminum endcaps, available in flat (standard) or edge sculpted.

### Electrical

Factory pre-wired to section ends with quick-wire connectors.

### Approvals

Certified to UL, CSA and IES standards.

### Finish

High quality powder coated, available in matte white, black or titanium silver. Other factory and custom colors available on request.

### Environment

Rated for dry or damp locations in operating ambient temperatures 0-40°C (32-104°F).

Due to continuing product improvements, Philips Ledalite reserves the right to change the specifications without notice.



©2014 Koninklijke Philips N.V. All rights reserved.  
Specifications are subject to change without notice.  
[www.philips.com/luminaires](http://www.philips.com/luminaires)

7505LACxN.pdf 05.14 page 3 of 3

Philips Lighting  
North America Corporation  
200 Franklin Square Drive  
Somerset, NJ 08873  
Phone: 855-486-2216

Philips Lighting Company  
281 Hillmount Road  
Markham ON, Canada L6C 2S3  
Phone: 800-668-9008