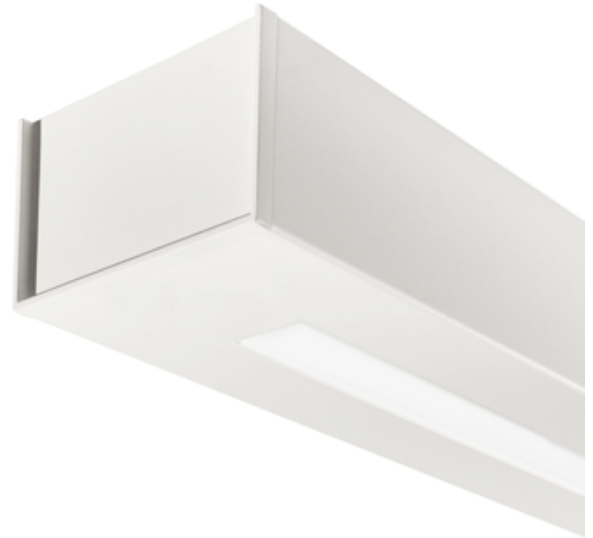


Minimalist scale, unequaled performance that delivers

CHOPSTICK SUSPENDED LED



SEMI-INDIRECT, MESOOPTICS LENS
3000K, 3400 LM/4FT

Project: _____

Spec Type: _____

Catalog No: 7505LCExN _____

Qty _____

Line Notes: _____



Ordering guide

Product Type	Source	Color *	Lumens *	Lower Optics	Upper Optics	Run Length	Wiring †	Voltage	Driver ‡	Color
<input type="text" value="7505"/>	<input type="text" value="L"/>	<input type="text" value="C"/>	<input type="text" value="E"/>	<input type="text" value="x"/>	<input type="text" value="N"/>	<input type="text"/>	<input type="text"/>	<input type="text"/>	<input type="text"/>	<input type="text"/>
Chopstick "Susp Semi-Indirect	L LED	A 4000K B 3500K C 3000K	C 4800 lm/4ft E 3400 lm/4ft	Q 4ft MesoOptics S 6ft MesoOptics	N None	04 4' 06 6' 08 8'	1 1 cct 3 1 cct w/ EM cct 7 1 cct w/ Dimming 8 1 cct w/ TV B 2 cct A/B	1 120V 2 277V 3 347V	E Standard	W White T Titanium Silver B Black C Custom Color

* Nominal values † Consult website for complete list of standard wiring options ‡ Driver details on following pages

Mounting Hardware

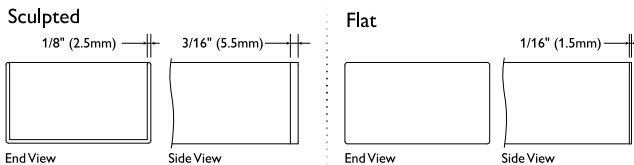
Mount Type
Consult separate mounting spec sheet for mount type options

Suspension Length
Distance from ceiling to top of luminaire in inches

Endcaps -

Integrated Controls Please indicate with check mark.

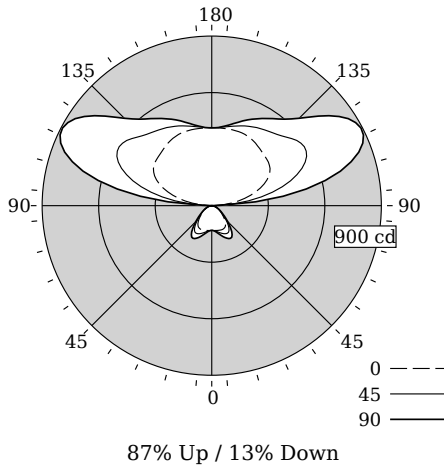
Response Daylight Single Zone (DS)



CHOPSTICK SUSPENDED LED

Semi-Indirect, MesoOptics Lens

Photometry



LED lighting facts
A Program of the U.S. DOE

Light Output (Lumens) 3200
Watts 31.7
Lumens per Watt (Efficacy) 100

Color Accuracy
Color Rendering Index (CRI) **82**

Light Color
Correlated Color Temperature (CCT) **3031 (Bright White)**

Warm White | Bright White | Daylight
2700K | 3000K | 4500K | 6500K

Warranty** Yes

All results, except LED Lumen Maintenance, are according to IESNA LM-79-2008 Approved Method for the Electrical and Photometric Testing of Solid-State Lighting. The U.S. Department of Energy (DOE) verifies product test data and results.

** See www.lightingfacts.com/products for details.

Registration Number: F462-VGHVJX (3/20/2014)
Model Number: 7505LCExx04
Type: Luminaire - Linear

Total Output	3200 lm
Efficacy	100.9 lm/W
CCT	3031K
CRI	82
R9	8
Distribution	87% Up / 13% Down
Peak/Zenith Ratio	2.16
Peak Output	893 cd @ 118°
Meets RP-1-04 recommendations for VDT-Intensive spaces	

Values per 4ft unit

Fixture photometry has been conducted by an NVLAP accredited testing laboratory in accordance with IESNA LM-79:2008

Lumen maintenance of the LEDs has been tested by the manufacturer in accordance with IESNA LM-80:2008

IES files for this and other photometric options can be downloaded online at www.lightingproducts.philips.com

Candela Distribution

Vertical Angle	Horizontal Angle					Zonal Lumens
	0	22.5	45	67.5	90	
0	131	131	131	131	131	0
5	133	131	133	134	134	13
15	136	137	147	155	157	42
25	138	145	164	184	190	76
35	127	137	160	181	189	98
45	92	96	107	116	120	82
55	58	59	63	66	66	56
65	34	35	37	37	37	36
75	15	17	17	17	18	18
85	3	4	5	5	6	5
90	0	0	0	0	0	0
95	65	79	122	196	233	148
105	214	258	387	597	707	443
115	323	386	547	771	888	566
125	373	435	578	742	825	525
135	387	429	524	616	656	407
145	405	429	491	543	564	306
155	417	430	465	495	506	214
165	417	422	437	448	451	124
175	414	412	416	417	416	40
180	413	413	413	413	413	0

Coefficients of Utilization (%)

RCR	Ceiling: 80				70				50				0			
	70	50	30	10	70	50	30	10	70	50	30	10	70	50	30	10
0	98	98	98	98	86	86	86	86	63	63	63	63	13	13	13	13
1	90	86	82	79	78	75	72	55	53	52	52	11	11	11	11	11
2	82	75	69	64	71	66	61	48	45	43	43	10	10	10	10	10
3	75	66	59	54	65	58	52	43	39	36	36	8	8	8	8	8
4	68	58	51	45	59	51	45	38	34	31	31	7	7	7	7	7
5	62	52	44	38	54	45	39	34	29	26	26	6	6	6	6	6
6	57	46	38	33	50	41	34	30	26	23	23	6	6	6	6	6
7	53	41	34	29	46	36	30	27	23	20	20	5	5	5	5	5
8	49	37	30	25	42	33	27	25	20	17	17	4	4	4	4	4
9	45	34	27	22	39	30	24	22	18	15	15	4	4	4	4	4
10	42	31	24	19	37	27	21	20	16	14	14	4	4	4	4	4

Avg. Luminance (cd/m2)

Vertical Angle	Horizontal Angle		
	0	45	90
55	2949	3234	3377
65	2388	2582	2582
75	1686	1897	2002
85	939	1565	1878

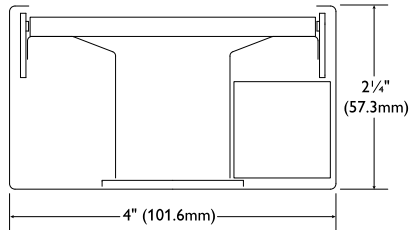
Electrical Specifications

Input Voltage	120V	277V
Input Power	31.7W	31.6W
Input Current	0.268A	0.129A
Power Factor	0.985	
Total Harm. Distortion	15.7%	
Tested values – contact technical support for rated values. Off-state power zero unless certain controls are specified.		

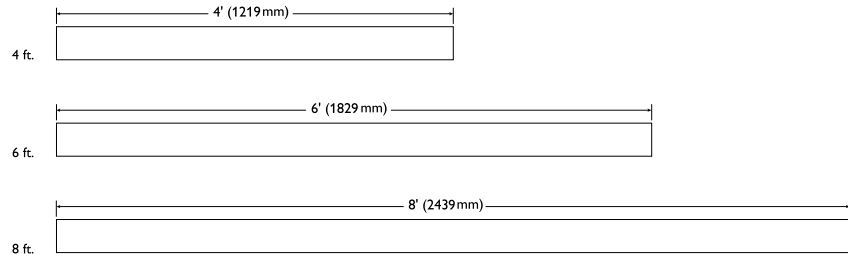
CHOPSTICK SUSPENDED LED

Semi-Indirect, MesoOptics Lens

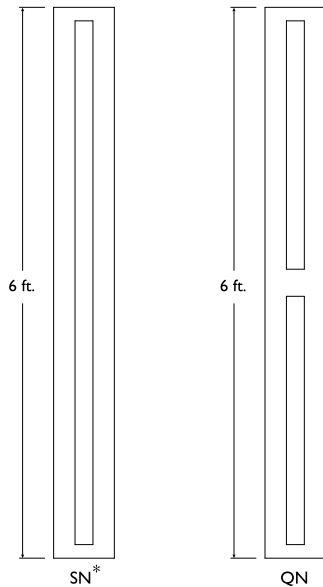
Options and Details



Modules



Optics & Styles



*SN optic is only available in 6ft modules

Housing

Precision formed 20 gauge cold-rolled steel.

Weight

Maximum 3.0lb/ft.

Optical System

A low-profile light guide panel is edge lit by an LED array. The light guide couples and transmits the light via total internal reflection, then the etched surface of the panel optimizes the light extraction to create a semi-indirect (suspended) or direct/indirect (wall) distribution. Light is purified and controlled by MesoOptics film as it passes through the nonglare acrylic lens.

Standard Driver

Dimming: 0-10V, 5-100%. Output is Class 2 rated.

Lumen Maintenance

At an ambient temperature of 25°C, the LED lumen maintenance expectation is L_{50} (12k) 70,000 hrs.

Mounting

Suspended: tamper-resistant aircraft cable grippers provide infinite vertical adjustment capability. Aircraft cable, crimp and cable gripper are independently tested to meet stringent safety requirements. **Wall:** Steel mounting brackets provided, spaced 4ft on center, fixture held 3/4" from wall.

Joints

Self-aligning joining system with hands-free pre-joining wire access.

Endcaps

Diecast aluminum endcaps, available in flat (standard) or edge sculpted.

Electrical

Factory pre-wired to section ends with quick-wire connectors.

Approvals

Certified to UL, CSA and IES standards.

Finish

High quality powder coated, available in matte white, black or titanium silver. Other factory and custom colors available on request.

Environment

Rated for dry or damp locations in operating ambient temperatures 0-40°C (32-104°F).

Due to continuing product improvements, Philips Ledalite reserves the right to change the specifications without notice.



©2014 Koninklijke Philips N.V. All rights reserved.
Specifications are subject to change without notice.
www.philips.com/luminaires

7505LCEXN.pdf 05.14 page 3 of 3

Philips Lighting
North America Corporation
200 Franklin Square Drive
Somerset, NJ 08873
Phone: 855-486-2216

Philips Lighting Company
281 Hillmount Road
Markham ON, Canada L6C 2S3
Phone: 800-668-9008