

PHILIPS LIGHTOLIER

Downlighting

Calculite LED gen 3 4" round wall wash

500 – 3000lm



Project: _____
 Location: _____
 Cat.No: _____
 Type: _____
 Lamps: _____ Qty: _____
 Notes: _____

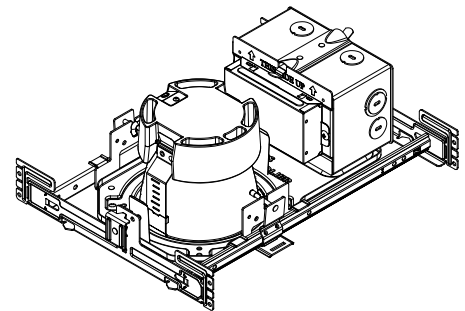
Calculite LED 4" generation 3 features industry leading visual comfort, excellent uniform illumination over time, and patented installation flexibility.

Complete product = Frame + Engine + Trim

Frame

example: C4RN

Series	Aperture	Installation	Voltage/Options
C4	R		
C4 Calculite LED 4" aperture	R Round	N New construction R Remodeler	— Universal (120/277V) 3 347V ¹ EM Emergency ^{2,3} LC Chicago Plenum ²



Engine

example: C4L15835NZ10U

Series	Lumens	CRI	CCT	Beam	Dimming	Voltage
C4L				W		
C4L Calculite LED 4" aperture	05 500lm ⁴ 10 1000lm 15 1500lm 20 2000lm ⁵ 25 2500lm ^{1,5} 30 3000lm ^{1,5}	8 80CRI 9 90CRI ⁶	27 2700K ⁶ 30 3000K ⁶ 35 3500K 40 4000K	W Wide	Z10 0-10V 1% SOL EldoLED Solo 0.1% D Dali L Lutron LDE1 EcoSystem fade-to-black E ELV ⁷ (120V dimming only)	U Universal (120/277/347V) 1 Universal (120/277/347V)

Trim

example: C4RWWCCP

Series	Aperture	Style	Finish	Flange
C4	R			
C4 Calculite LED 4" aperture	R Round	WW Open Wall Wash LW Lensed Wall Wash ¹ CW Corner Wall Wash ⁸ DW Double Wall Wash ⁸	CL Specular clear CC Comfort clear CD Comfort clear diffuse CZ Champagne bronze BK Black (matte) WH White (matte)	— White (matte) P Polished F Flangeless ⁸ — White (matte) F Flangeless ⁸

Accessories (ordered with a flangeless trim)

- CA4RFT** Mud-in ring for use with flangeless installations.
- CAEM** Field installable EM pack.
- C4RVPWH** IP65 rated vandal proof matte white accessory that mounts onto a flangeless trim (not available for use with Lensed Wall Wash).

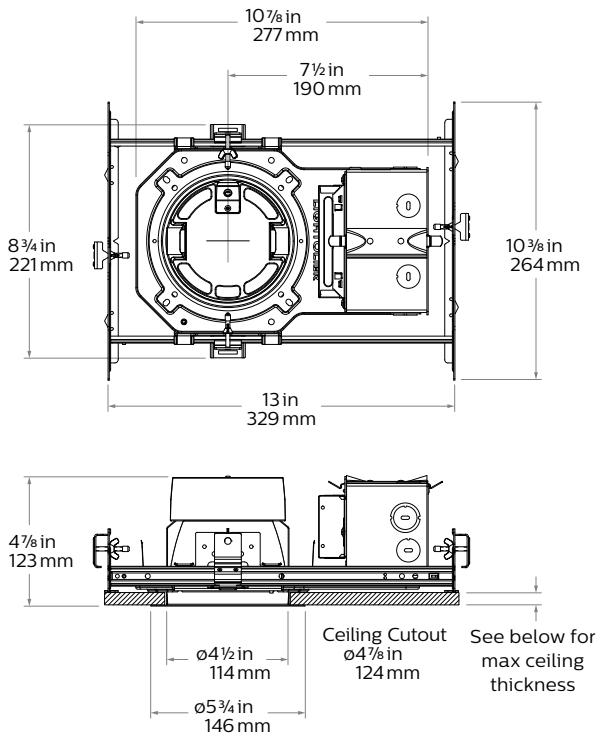
1. The 347V (3) is not compatible with lumen packages over 2500lm (25) for the Lensed Wall wash (LW) style.
2. Emergency (EM) and Chicago Plenum (LC) options are only available with New construction (N) installations.
3. Emergency (EM) frame comes with emergency battery pack and ceiling mountable test switch.
4. The 500lm (05) option is only compatible with 0-10V (Z10) dimming.
5. The 2000, 2500, and 3000 lumen packages have marked spacing requirements (see page 2 for spacing).
6. The 90 (9) CRI option is only available with 2700K (27) and 3000K (30) CCT.
7. ELV dimming is only compatible with up to 2000lm.
8. Corner (CW) and Double (DW) Wall Wash are not available with flangeless (F) option.



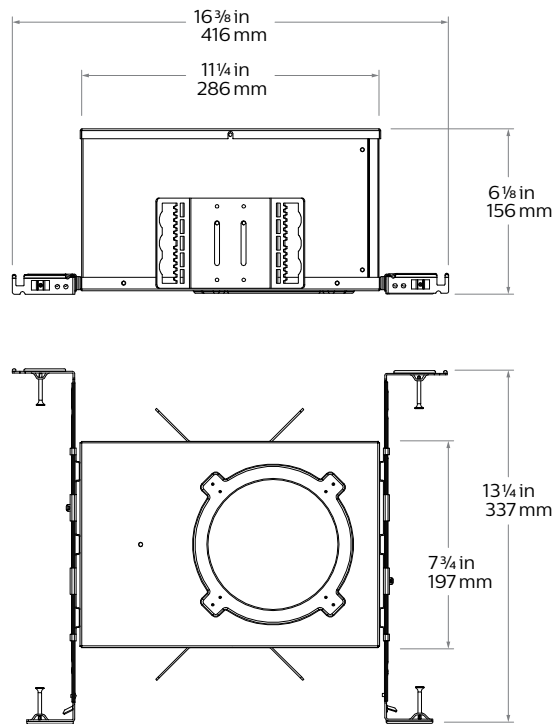
C4RWW Calculite LED generation 3

4" round wall wash

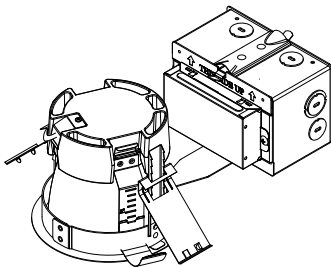
New Construction (N)



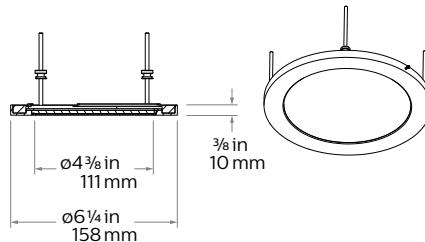
Chicago Plenum (LC)



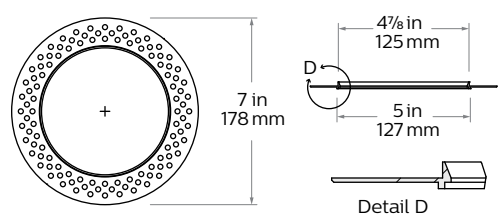
Remodeler (R)



Vandal Proof accessory (VP)



Flangeless mud-in ring (CA4RFT)



Consult factory for wood installation instructions.

Marked spacing applications

Light engine	2500lm	3000lm
C4L_Z10U series	—	X
C4L_LU series	X	X
C4L_DU series	—	X

Modules marked with an X require marked spacing:
 - Center-to-center of adjacent luminaires: 24" (610mm)
 - Luminaire center to side building member: 12" (305mm)

Maxium Ceiling Thickness

Lensed Wall Wash (LW): 1-1/2"
 Wall Wash (WW, DW, CW): 2"

Lifetime (TM-21) data

Lumens	Narrow beam	Medium/Wide beam*
500lm		
1000lm	L90 @ 60,000 hrs.	L90 @ 60,000hrs.
1500lm		
2000lm		
2500lm	L90 @ 60,000 hrs.	L85 @ 60,000hrs.
3000lm*		

* Lutron 3000lm with Medium/Wide beam is L80 @ 60,000hrs.

C4RWW Calculite LED generation 3

4" round wall wash

Frame-in-kits

New Construction

Galvanized stamped steel for dry or plaster ceilings. Preinstalled telescoping mounting bars from 13" to 24". For 4" distances, use 1/2" EMT, 1-1/2" x 1/2" U or C channel.

Max ceiling thickness for Lensed Wall Wash (LW) is 1-1/2" and for Open, Corner, Double Wall Wash (WW, CW, DW) is 2".

Patented install Mounting frame

With no driver attached, this versatile frame is independent of driver accommodating a wide range of lumen packages, driver types and CCTs, including 120V and 277V inputs.

Pre-installed mounting bars allow for fast and tool-less installation into T-grid and hat channel ceilings.

Close-cut aperture design eliminates the possibility of undesired gap between ceiling opening and reflector flange.

Separate wiring compartment for wiring frame to building allows inspection prior to light engine installation.

Simple plug-and-play connection between the frame and light engine from below the ceiling eliminates the need for wiring between frame and LED driver, and also saves time during installation and future replacements/upgrades. Plug-and-play receptacle accommodates technology upgrade of light engines and replacements for the life of the building.

Drivers

- Advance 0-10V 1% Dimming
- Lutron Hi-lume EcoSystem H Series 1% Dimming
- EldoLED ECOdrive Dali 1% Dimming
- EldoLED SOLOdrive 0-10V 0.1% dimming
- ELV dimming

Optical systems

Comfort throughout the space

Patented optical system combines primary and secondary optics to provide a true 50° physical cutoff and 45° reflected cutoff virtually eliminating the view of the light source and bright spots in the reflector.

A new reflector curve reduces reflector brightness by up to 50% compared to existing products, allowing for the use of higher lumen packages in smaller apertures without creating bright spots in the ceiling.

Quality of light

2 SDCM ensures color consistency from fixture to fixture and over the luminaire's long lifetime.

Proprietary optical grade silicone lens with patterned surface provides soft, even beam diffusion without hotspots or dark rings.

Light Engine

Quick connect power pack comprised of light source and driver allow for easy installation and replacement from below ceiling with no need for additional wiring. This allows for

- Frame and ceiling installation to be performed while still finalizing details such as lumen packages, CCT and control type.
- Easy replacement of electronics at end of life with minimal wasted material and labor required.
- Ease and upgradability of technology

Options and Accessories

Flangeless mud-in ring: Use **CA4RFT** for use with flangeless installations.

Sloped ceilings: Compatible with sloped ceiling adapters (see **SCA** spec sheet).

Vandal Proof: Use **C4RVPWH** for an IP65 rated vandal proof matte white accessory. Must be ordered with a flangeless trim. Not available with Lensed Wall Wash.

ENERGY STAR® exceptions

1. Dali configurations
2. 90 CRI configurations
3. Champagne Bronze and Black finishes
4. 347V and Emergency configurations
5. ELV & EldoLED SOLO dimming

Labels and Listings

cULus listed for wet location (lensed wall washers)

CCEA (frames with *LC suffix)

IP65 rated with vandal proof accessory

IBEW Union made (light engines & reflectors)

RoHS compliant

Warranty

5 year warranty on complete system.

Complete warranty available at: http://images.philips.com/is/content/PhilipsConsumer/PDFDownloads/United%20States/ODL120150930_003-UPD-en_US-Philips-warranty-indoor-PLS-us.pdf

Narrow

Light engine	Input volts	Input freq	Input current	Drive current	Input power	THD power	Power factor
C4L05_NZ10U	120V	50/60Hz	0.05	110 mA	6W	<20%	>0.95
	277V		0.03			<20%	>0.90
C4L10_NZ10U	120V	50/60Hz	0.08	230 mA	11W	<15%	>0.95
	277V		0.04			<20%	>0.95
C4L15_NZ10U	120V	50/60Hz	0.12	360 mA	16W	<10%	>0.95
	277V		0.06			<15%	>0.95
C4L20_NZ10U	120V	50/60Hz	0.17	490 mA	21W	<10%	>0.95
	277V		0.08			<15%	>0.95
C4L25_NZ10U	120V	50/60Hz	0.22	640 mA	27W	<10%	>0.95
	277V		0.10			<15%	>0.95
C4L30_NZ10U	120V	50/60Hz	0.27	790 mA	33W	<10%	>0.95
	277V		0.13			<15%	>0.95

Medium/Wide

Light engine	Input volts	Input freq	Input current	Drive current	Input power	THD power	Power factor
C4L05_MZ10U	120V	50/60Hz	0.05	110 mA	6W	<20%	>0.95
	277V		0.03			<20%	>0.90
C4L10_MZ10U	120V	50/60Hz	0.08	230 mA	11W	<15%	>0.95
	277V		0.04			<20%	>0.95
C4L15_MZ10U	120V	50/60Hz	0.12	350 mA	16W	<10%	>0.95
	277V		0.06			<15%	>0.95
C4L20_MZ10U	120V	50/60Hz	0.16	470 mA	21W	<10%	>0.95
	277V		0.08			<15%	>0.95
C4L25_MZ10U	120V	50/60Hz	0.21	610 mA	25W	<10%	>0.95
	277V		0.09			<15%	>0.95
C4L30_MZ10U	120V	50/60Hz	0.26	770 mA	31W	<10%	>0.95
	277V		0.12			<15%	>0.95

C4RWW Calculite LED generation 3

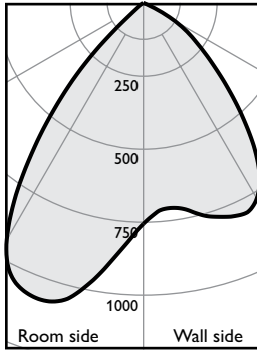
4" round wall wash

Adjustment factors

Finish	CCT	Lumens
CL = 100%	80CRI 4000K = 102%	3000lm = 200%
CC = 95%	80CRI 3500K = 100%	2500lm = 167%
CD = 87%	80CRI 3000K = 97%	2000lm = 133%
CZ = 63%	80CRI 2700K = 87%	1500lm = 100%
WH = 87%	90CRI 3000K = 77%	1000lm = 67%
BK = 57%	90CRI 2700K = 73%	500lm = 33%

Wall Wash, 1500lm Engine, 102.8 lm/W

Candela Curve



Frame: **C4RN**
 Engine: **C4L15835WZ10U**
 Trim: **C4RWWCL**

Output lumens: 1465 lms
 Input watts: 14.3 W
 CRI: 80 min
 CCT¹: 3500K

Efficacy: 102.8 lm/w
 Report#: T20170304

Multiple unit data

Footcandles on wall

Distance from ceiling in feet	2' from wall		
	3' on ctr.		
1	22	16	22
2	44	33	44
3	37	40	37
4	29	31	29
5	22	23	22
6	17	17	17
7	14	14	14
8	12	12	12
9	10	10	10
10	9	9	9
12	7	7	7
14	6	6	6

Multiple unit data

Footcandles on wall

Distance from ceiling in feet	3' from wall		
	3' on ctr.		
1	9	9	9
2	19	18	19
3	27	26	27
4	27	28	27
5	24	24	24
6	20	21	20
7	17	17	17
8	15	14	15
9	12	12	12
10	11	11	11
12	9	9	9
14	8	8	8

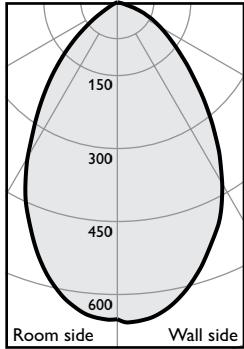
Multiple unit data

Footcandles on wall

Distance from ceiling in feet	3' from wall		
	4' on ctr.		
1	8	7	8
2	16	13	16
3	22	19	22
4	21	21	21
5	18	19	18
6	16	16	16
7	13	13	13
8	11	11	11
9	10	10	10
10	9	9	9
12	7	7	7
14	6	6	6

Lensed Wall Wash, 1500lm Engine, 71.1 lm/W

Candela Curve



Frame: **C4RN**
 Engine: **C4L15835WZ10U**
 Trim: **C4RLWCL**

Output lumens: 1012 lms
 Input watts: 14.2 W
 CRI: 80 min
 CCT¹: 3500K

Efficacy: 71.1 lm/w
 Report#: T20170310

Multiple unit data

Footcandles on wall

Distance from ceiling in feet	2' from wall		
	3' on ctr.		
1	27	17	27
2	35	28	35
3	30	28	30
4	22	22	22
5	17	17	17
6	13	13	13
7	11	11	11
8	9	9	9
9	7	7	7
10	6	6	6
12	5	5	5
14	5	5	5

Multiple unit data

Footcandles on wall

Distance from ceiling in feet	3' from wall		
	3' on ctr.		
1	10	9	10
2	19	18	19
3	22	21	22
4	21	21	21
5	18	18	18
6	15	15	15
7	13	13	13
8	11	11	11
9	9	9	9
10	8	8	8
12	7	6	7
14	6	6	6

Multiple unit data

Footcandles on wall

Distance from ceiling in feet	3' from wall		
	4' on ctr.		
1	8	6	8
2	16	13	16
3	17	15	17
4	16	15	16
5	14	14	14
6	12	12	12
7	10	10	10
8	8	8	8
9	7	7	7
10	6	6	6
12	5	5	5
14	4	4	4

1. Correlated Color Temperature within specs as defined in ANSI_NEMA_ANSLG C78.377-2008: Specifications for the Chromaticity of Solid State Lighting Products.
 2. Tested using absolute photometry as specified in LM79: IESNA Approved Method for the Electrical and Photometric Measurements of Solid-State Lighting Products.

