

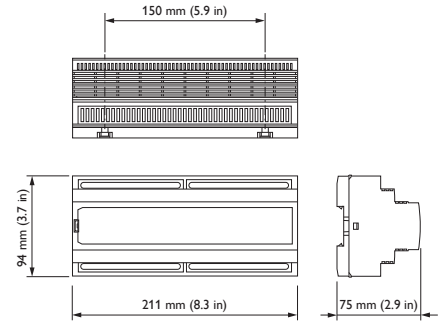


# DDFCUC010 Fan Coil Unit Controller

## Direct connection to air conditioning systems

The Philips Dynalite DDFCUC010 is a fan coil unit controller designed for direct connection to components commonly found in air conditioning systems.

- 0-10V outputs — Provided for controlling hot and cold water valves.
- Relay outputs — Provided for driving fan motors.
- High capacitance relay — Provided for use with electrical heaters.
- Inputs for resistive temperature sensors — Allows the device to use data from a networked temperature sensor, such as an Antumbra user interface.
- Programmable auxiliary inputs — Provided for use with peripheral devices including smoke detectors, motion detectors, window open/close sensors, airflow detectors, drip trays, dirty air filters and hot water on cold valve.
- Networkable — Can be networked with other equipment including Philips Dynalite user interfaces, via an on-board RS-485 DyNet port.



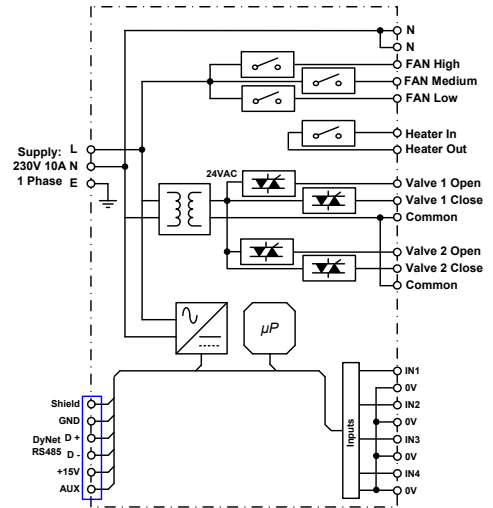
For detailed product information, please refer to the product information pages at [www.philips.com/dynalite](http://www.philips.com/dynalite) and follow the links.

## Specifications

Due to continuous improvements and innovations, specifications may change without notice.

| Item               | Specification            | Details  |
|--------------------|--------------------------|--|
| Electrical         | Input Voltage            | 230 V ± 14% 50 / 60 Hz single phase @ 10 A   |
|                    | DyNet DC Supply          | 120 mA   |
| Control            | Outputs                  | Two 0 - 10 V outputs for floating hold/cold water valve max 10 mA<br>Two 24 VAC supply for valve actuator coils, 4 VA max<br>One 230 VAC 10 A 3 way selectable relay outputs for high/medium/low fan control<br>One 230 VAC 16 A relay for electrical heater |
|                    | Temperature Sensor Input | 20 K NTC (networked temperature sensors also supported)  |
|                    | Dry Contact Inputs       | Three programmable for devices including; window sensor, drip tray, dirty air filter, motion detector, hot water on cold valve, smoke detector   |
|                    | Control Inputs           | One RS-485 DyNet serial port   |
|                    | User Controls            | Service Switch<br>Diagnostic LED   |
|                    | Physical                 | Supply Terminals   |
| Physical           | Output Terminals         | Hot water valve: 24 VAC, 0-10V, GND, 1 x 5 mm <sup>2</sup> conductor size<br>Cold water valve: 24 VAC, 0-10V, GND, 1 x 5 mm <sup>2</sup> conductor size<br>Fan: Neutral, Low, Medium, High, 1 x 5 mm <sup>2</sup> conductor size                             |
|                    | Dimensions (H x W x D)   | 94 mm x 211 mm x 75 mm (3.7" x 8.3" x 2.9")  |
|                    | Packed Weight            | 0.8 kg   |
| Physical           | Construction             | Polycarbonate DIN-rail enclosure (12 unit)   |
|                    | Operating Conditions     | Temperature: 0 to 40° C ambient<br>Humidity: 0 to 90% non-condensing   |
| Physical           | Storage & Transport      | Temperature: -25 to 60° C ambient<br>Humidity: 0 to 90% non-condensing   |
|                    | Certification            | Certification  |
| Options & Ordering | Standard Product         | DDFCUC010 (Philips 12NC - 913703081909)  |

## Electrical Diagram



Philips Dyalite  
6 / 691 Gardeners Road  
Mascot, NSW 2020  
Australia  
Tel: +61 2 8338 9899  
Email: dyalite.info@philips.com  
Web: www.philips.com/dyalite

Specifications subject to change without notice. ©WMGD Pty Ltd Trading as Dyalite. Unit 6, 691 Gardeners Road Mascot 2020 Australia. ABN 33 097 246 921. All rights reserved. Dyalite, DyNet and associated logos are the registered trademarks of WMGD Pty Ltd. Not to be reproduced without permission.