

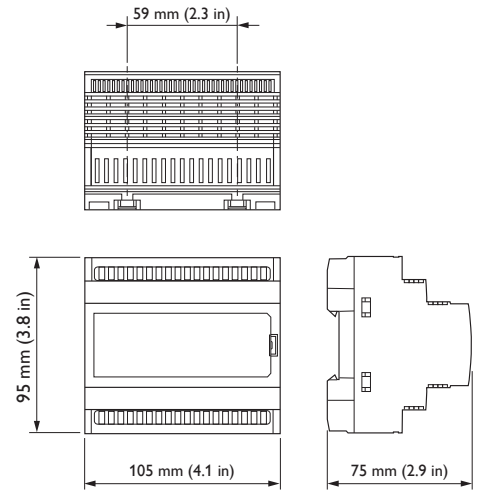


# DDMIDC8-NA Low Level Input Integrator

## Cost-effective input integration

The DDMIDC8-NA is designed to enable cost-effective input integration to the Philips control system from third-party systems such as security, HVAC and BMS.

- Eight digital inputs — Each can be individually configured as a dry contact or 0-24V AC/DC input.
- LED indicator on each input — Provides visual status indication.
- Optical isolation — All inputs isolated for high noise immunity.
- Four 0-5/0-10 V analogue inputs — Software selectable.
- Programmable Logic Controller — Processes comprehensive conditional and sequential logic and arithmetic functions.



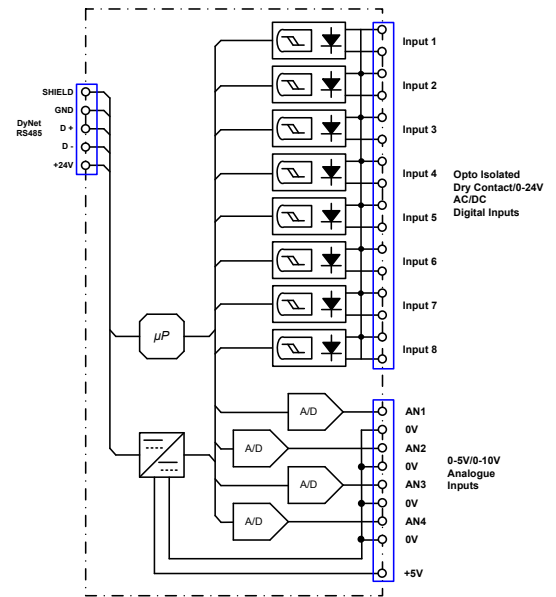
For detailed product information, please refer to the product information pages at [www.philips.com/lightingcontrolsna](http://www.philips.com/lightingcontrolsna).

## Specifications

Due to continuous improvements and innovations, specifications may change without notice.

Item	Specification	Details
Electrical	DyNet DC Load	max. 70mA @ 24VDC (with all dry contacts closed)
Control	Digital Inputs	8 x opt-isolated inputs, each configurable to Dry Contact 0-24 V AC / DC (Class 2)
	Digital Input Isolation	Optical isolation (2.5 kV surge rated)
	Analogue Inputs	4 x inputs, configurable to 0 - 5V or 0 - 10 V (Class 2)
	Analogue Input Impedance	20 K Ohm
	User Controls	LED status indicators for digital inputs
	Control Input/Output	One RS-485 DyNet serial port
	Internal Controls	Programmable Logic Controller
	Physical	Digital Input Terminals
Analogue Input Terminals		CH, GND for each input
Dimensions (H x W x D)		3.8" x 4.1" x 2.9" (95 mm x 105 mm x 75 mm)
Packed Weight		0.60 lbs (0.281 kg)
Construction		Polycarbonate DIN-rail enclosure (6 unit)
Operating Conditions		Temperature: 32 to 122° F (0 to 50° C) ambient Humidity: 0 to 90% non-condensing
Storage & Transport		Temperature: -13 to 140° F (-25 to 60° C) ambient Humidity: 0 to 90% non-condensing
Certification	Certification	ICES, FCC, RoHS Compliant
Options & Ordering	Standard Product CAT5/CAT6 Wiring Adapter	DDMIDC8-NA (Philips 12NC - 913703580209) DRJ45ADAPT

## Electrical Diagram



**Philips Lighting North America**  
200 Franklin Square Dr  
Somerset, NJ, United States  
Tel: 1-800-526-2731  
Email: controls.support@philips.com  
Web: www.philips.com/lightingcontrolsna

**Philips Lighting Canada**  
281 Hillmount Road  
Markham, Ontario L6C 2S3  
Canada

Specifications subject to change without notice. © WMGD Pty Ltd Trading as Dynalite. Unit 6, 691 Gardeners Road Mascot 2020 Australia. ABN 33 097 246 921. All rights reserved. Dynalite, DyNet and associated logos are the registered trademarks of WMGD Pty Ltd. Not to be reproduced without permission.