

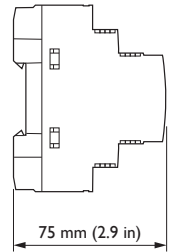
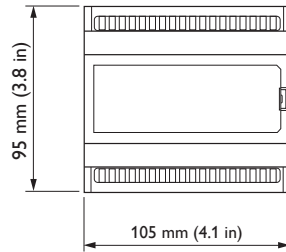
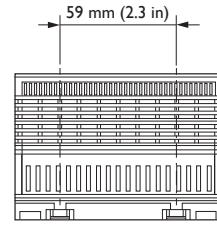


DDNG485-NA Network Gateway

Flexible network communications gateway for DyNet RS-485 networks

The Philips DDNG485-NA is a flexible network communications bridge designed for RS-485 networks. The two opto-isolated RS-485 ports enable the DDNG485-NA to implement a trunk and spur topology on large project sites, with the bridge providing a high-speed backbone opto-coupled to many lower speed spurs.

- Electrical fault isolation — Faults can be isolated to individual network spurs.
- Route DyNet to third-party systems — Such as audio-visual and building automation systems, providing an integrated approach to total building control and energy management.
- DMX512 mode — Transmit or receive up to 64 channels of DMX512, with automatic DyNet conversion and task triggering. Provides temporary control of house lights from the DMX512 console in an auditorium scenario.
- Internal controls — Including programmable logic controller capable of assembly and transmission of user-defined data strings.
- Flexible mounting solution — DIN-rail mountable, designed to be installed into a distribution board or other electrical enclosure.



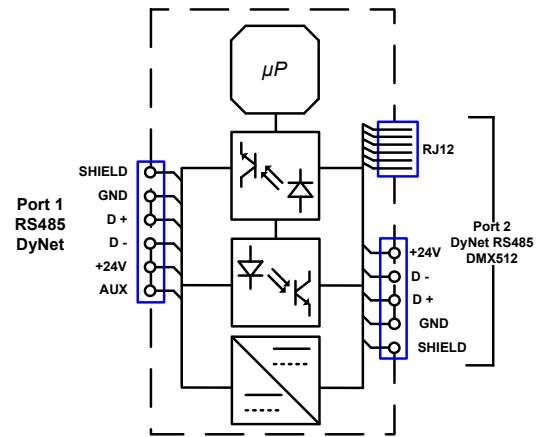
For detailed product information, please refer to the product information pages at www.philips.com/lightingcontrolsna.

Specifications

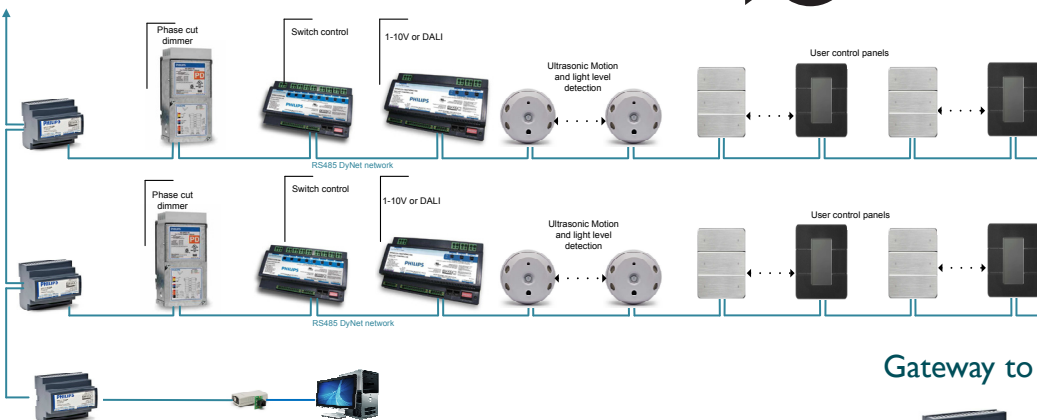
Due to continuous improvements and innovations, specifications may change without notice.

Item	Specification	Details
Electrical	DyNet DC Voltage	330 mA max. @ 24VDC fed via Port 1, max. load on Port 2 24VDC out: 150 mA
Control	Control Ports	Two RS-485 DyNet serial ports
	Serial Port Isolation	2.5 KV RMS optical isolation between ports
	User Controls	Service switch Diagnostic LED
	DMX512 Support	DMX512 Receive: 64 slots DMX512 Transmit: 64 slots
	Diagnostic Functions	Device Online/Offline status* *EvisionManager, MapView, Touchscreen or BAS interface required for analyzing diagnostic data
Serial Port Terminals	Port 1 (input):	SHLD, GND, D+, D-, +24V 1 x 14 AWG or 2 x 18 AWG max conductor size
	Port 2 (output):	SHLD, GND, D+, D-, +24V 1 x 14 AWG or 2 x 18 AWG max conductor size, 1 x RJ45 jack for plug in connection
	Dimensions (H x W x D)	3.8" x 4.1" x 2.9" (95 mm x 105 mm x 75 mm)
	Packed Weight	0.55 lbs (0.25 kg)
	Construction	Polycarbonate DIN-rail enclosure (6 unit)
	Operating Conditions	Temperature: 32 to 122° F (0 to 50° C) ambient Humidity: 0 to 90% non-condensing
	Storage & Transport	Temperature: -13 to 140° F (-25 to 60° C) ambient Humidity: 0 to 90% non-condensing
Certification	Certification	ICES, FCC, RoHS Compliant
Options & Ordering	Standard Product	DDNG485-NA (Philips 12NC - 913703581009)

Electrical Diagram



Network Topology Example



Gateway to Gateway



Philips Lighting North America
200 Franklin Square Dr
Somerset, NJ, United States
Tel: 1-800-526-2731
Email: controls.support@philips.com
Web: www.philips.com/lightingcontrolsna

Philips Lighting Canada
281 Hillmount Road
Markham, Ontario L6C 2S3
Canada

Specifications subject to change without notice. ©WMGD Pty Ltd Trading as Dynalite. Unit 6, 691 Gardeners Road Mascot 2020 Australia. ABN 33 097 246 921. All rights reserved. Dynalite, DyNet and associated logos are the registered trademarks of WMGD Pty Ltd. Not to be reproduced without permission.