

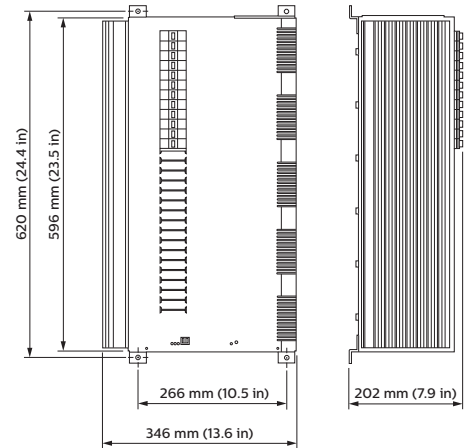


DLE1210 Leading Edge Dimmer Controller

Control large loads in applications requiring reliability and large power handling

The DLE1210 is a 12 channel leading edge dimmer controller, with a maximum load per channel of 10A and total device load of 120A. It is suitable for use with incandescent, neon and selected fluorescent light sources, as well as iron core and leading edge dimmable electronic transformers.

- Large load capability — Ideal for applications that require reliability combined with large power handling.
- DMX512 compatibility — Perfect for use in theaters, shopping centers and auditoria.
- Interference suppression — Iron powder core toroidal choke lessens effects of interference from other equipment, such as transformers.
- Naturally ventilated — Requires no forced cooling or maintenance.
- Soft start and voltage regulation technologies — Protects lamps from over voltage and dramatically improves lamp life, reducing maintenance costs.
- Diagnostic functionality — Device Online/Offline status reporting.
- User controls — Incorporates service override switch and three phase indicator LED. Hardware bypass switches are provided for each channel.
- Options available — Including circuit breaker trip reporting, earth leakage and overload protection on each channel and two or three pole circuit breakers.



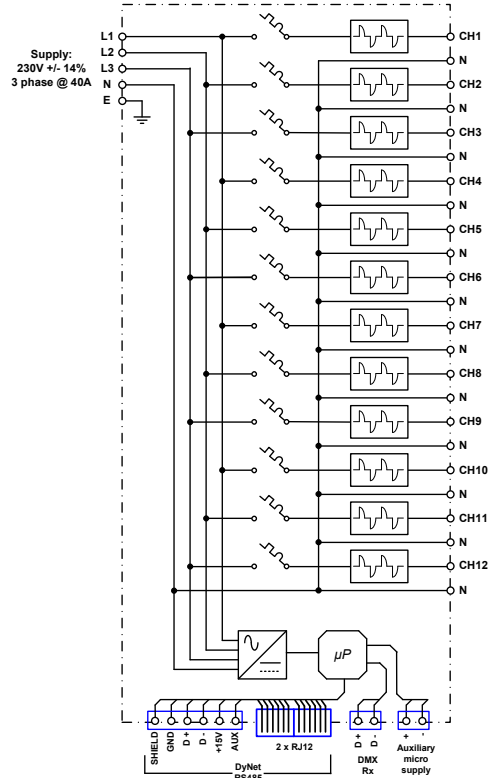
For detailed product information, please refer to the product information pages at www.philips.com/dynalite and follow the links.

Specifications

Due to continuous improvements and innovations, specifications may change without notice.

Item	Specification	Details
Electrical	Input Voltage	100 - 240 VAC 50 / 60 Hz 3 Phase Δ @ 40 A per phase
	DyNet DC Supply	12 VDC @ 200 mA (supply for approx 10 user interfaces)
	Outputs	12 x dimmed outputs leading edge phase control @ 10 A
	Protection	12 x 10 A 6 kA single pole thermal magnetic circuit breakers
	Regulating Device	Triac - 40 A nom., 600V, 400 A surge
	Power Conditioning	Regulated outputs Over voltage protection Surge protection Brownout / Sag protection Spike protection Soft start 16 bit fade resolution (65,536 steps) Active phase angle firing compensation
	Interference Suppression	Iron powder toroidal choke
	Auxiliary Micro Supply	12 V @ 1 A
	Rise Time	200 μ S @ 230 V
	Control	Control Inputs/Outputs
User Controls		Service override switch Diagnostic LED 3 x Phase indicator LEDs Hardware bypass switches for each channel
Preset Scenes		170
Diagnostic Functions		Device online/offline status
Physical		Supply Terminals
	Output Terminals	Line output for each channel 1 x 4 mm ² max conductor size Neutral Link bar provided Earth Link bar provided
	Cable Entries	Mains - 4 x 25 mm dia. knockouts mounted on 105 mm x 145 mm removable gland plate Data - 1 x 25 mm dia. knockout
	Cooling System	Naturally ventilated, no forced cooling, no maintenance
	Dimensions (H x W x D)	596 mm x 346 mm x 202 mm (23.5" x 13.6" x 7.9")
	Packed Weight	30.0 kg
	Construction	Alloy / Steel wall mount case with epoxy finish
	Operating Conditions	Temperature: -0 to 40° C ambient Humidity: 0 to 95% non-condensing
	Storage & Transport	Temperature: -25 to 60° C ambient Humidity: 0 to 90% non-condensing
	Certification	Certification
Options & Ordering	Standard Product	DLE1210 (Philips 12NC - 913703012009)
	Cct breaker trip reporting	DLE1210-BT (Philips 12NC - 913703012209)
	Double Pole cct breakers	DLE1210-DP (Philips 12NC - 913703012309)
	3 Pole cct breakers	DLE1210-3POLE (Philips 12NC - 913703012809)
	Earth leakage & overload protection on each channel	DLE1210-RCBO (Philips 12NC - 913703012709)

Electrical Diagram



Philips Dynalite
6 / 691 Gardeners Road
Mascot, NSW 2020
Australia
Tel: +61 2 8338 9899
Email: dynalite.info@philips.com
Web: www.philips.com/dynalite



Specifications subject to change without notice. ©WMGD Pty Ltd Trading as Dynalite. Unit 6, 691 Gardeners Road Mascot 2020 Australia. ABN 33 097 246 921. All rights reserved. Dynalite, DyNet and associated logos are the registered trademarks of WMGD Pty Ltd. Not to be reproduced without permission.