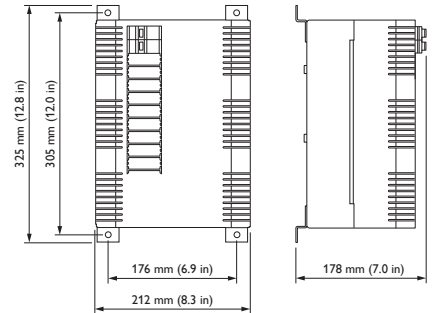




DLE220-S Leading Edge Dimmer Controller

Designed for applications where lamp life is critical

The DLE220-S is a two channel leading edge dimmer controller, with a maximum load of 20A per channel. It is suitable for use with incandescent, neon and selected fluorescent light sources, as well as iron core and leading edge dimmable electronic transformers.



- Large load capability — Complements multi-channel dimmers by providing extra channels where additional capacity is required.
- Reliable control — Suitable for applications where lamp life is critical, such as where lamp replacement is difficult or expensive.
- Interference suppression — Iron powder core toroidal choke lessens effects of interference from other equipment, such as transformers.
- Naturally ventilated — Requires no forced cooling or maintenance.
- Soft start and voltage regulation technologies — Protects lamps from over voltage and dramatically improves lamp life, reducing maintenance costs.
- Diagnostic functionality — Device Online/Offline status reporting.
- User controls — Incorporates service override switch - all channels to 100% and a diagnostic LED.
- Options available — Including an additional RS485 DyNet/DMX512 port, circuit breaker trip reporting or neutral disconnect breakers.

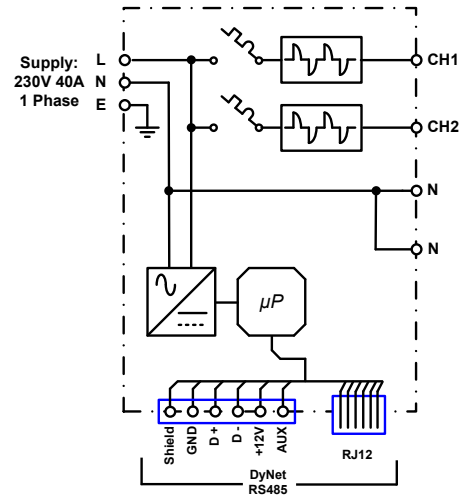
For detailed product information, please refer to the product information pages at www.philips.com/dynamalite and follow the links.

Specifications

Due to continuous improvements and innovations, specifications may change without notice.

Item	Specification	Details
Electrical	Input Voltage	230 VAC \pm 14% 50 / 60 Hz Single Phase @ 20 A
	DyNet DC Supply	12 VDC @ 200 mA (supply for approx 10 user interfaces)
	Outputs	2 x dimmed outputs leading edge phase control @ 20 A
	Protection	2 x 20 A 6 kA single pole thermal magnetic circuit breakers
	Regulating Device	Dual SCRs - 65 A nom., 800 V, 800 A surge
	Power Conditioning	Regulated outputs Over voltage protection Surge protection Brownout / Sag protection Spike protection Soft start 16 bit fade resolution (65,536 steps)
	Interference Suppression	Iron powder toroidal choke
	Rise Time	200 μ S @ 230 V
Control	Control Inputs/Outputs	One DMX512 / RS-485 DyNet serial port Eight dry contact / 0-5 V / 0-10V analogue inputs One programmable dry contact AUX input
	User Controls	Service override switch Diagnostic LED Hardware override switch on each channel
	Preset Scenes	170
	Diagnostic Functions	Device online/offline status
Physical	Supply Terminals	Line, Neutral 1 x 16 mm ² max conductor size Earth Link bar provided
	Output Terminals	Line, Neutral for each channel 1 x 16 mm ² max conductor size Earth Link bar provided
	Cable Entries	Mains - 3 x 25 mm dia. knockouts Data - 1 x 25 mm dia. knockout
	Cooling System	Naturally ventilated, no forced cooling, no maintenance
	Dimensions (H x W x D)	325 mm x 212 mm x 178 mm (12.8" x 8.3" x 7.0")
	Packed Weight	4.2 kg
	Construction	Alloy / Steel wall mount case with epoxy finish
	Operating Conditions	Temperature: -0 to 40° C ambient Humidity: 0 to 95% non-condensing
Certification	Certification	CE, C-Tick
	Options & Ordering	Standard Product DLE220 (Philips 12NC - 913703002009) Extra DyNet / DMX512 Port DLE220-S-A (Philips 12NC - 913703002109) Cct breaker trip reporting DLE220-S-BT (Philips 12NC - 913703002309) Neutral disconnect breakers DLE220-S-ND (Philips 12NC - 913703002509)

Electrical Diagram



Philips Dynalite
6 / 691 Gardeners Road
Mascot, NSW 2020
Australia
Tel: +61 2 8338 9899
Email: dynalite.info@philips.com
Web: www.philips.com/dynalite

Specifications subject to change without notice. ©WMGD Pty Ltd Trading as Dynalite. Unit 6, 691 Gardeners Road Mascot 2020 Australia. ABN 33 097 246 921. All rights reserved. Dynalite, DyNet and associated logos are the registered trademarks of WMGD Pty Ltd. Not to be reproduced without permission.