

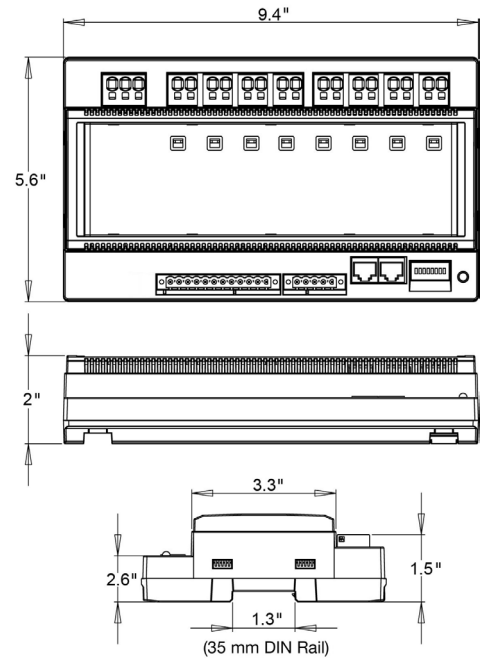


# DMRC820FR-NA Relay Load Controller

Robust control of switched loads

The Philips DMRC820FR-NA provides control of any type of switched load. The eight channel device supports all types of switched loads up to 20 A inductive.

- Feed through power circuit design — Electrically equivalent to an 8 pole contactor, with the added advantage of each pole being separately controllable via the DyNet network.
- Simple mounting — Mounts in a factory-supplied Type I enclosure.
- Hardware override — Service override switch accessible from front panel.
- Dry contact inputs — Eight, Class 2, non-isolated dry contact inputs are provided for remote switches.
- Option available — A UL924 compliant load controller for the control of emergency lighting circuits is also available.



For detailed product information, please refer to the product information pages at [www.philips.com/lightingcontrolsna](http://www.philips.com/lightingcontrolsna).

## Specifications

Due to continuous improvements and innovations, specifications may change without notice.

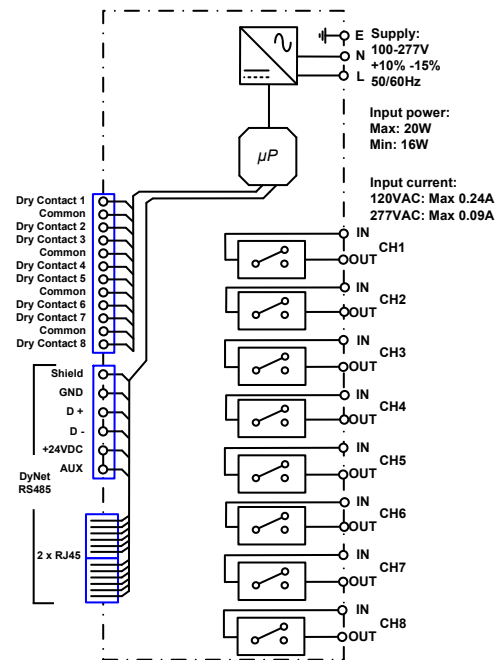
Item	Specification	Details
Electrical	Input Voltage	120 - 277 VAC (+10% / -15%), 50 / 60 Hz, Single Phase & Neutral Input power: Max 20 W, Avg 16.5 W Input current: 120 VAC max. 0.24 A, 277 VAC max. 0.09 A
	DyNet DC Supply	24 VDC @ 500 mA
	Outputs	8 x feed-through switched outputs CH LN-IN to CH-LD-OUT: max. 277 VAC CH to CH: max. 480 VAC
	Relays	Latching type, lighting and resistive load rated
Control	Control Inputs	One RS-485 DyNet serial port Eight non-isolated dry contact inputs (10 VDC, 0.7 mA)
	User Controls	Service override switch Diagnostic LED Manual override switch for each relay
	Preset Scenes	170 per Area
Physical	Supply Terminals	Line, Neutral, Ground, 8 - 24 AWG Cu wire
	Output Terminals	8 x Channel In / Channel Out, 8 - 24 AWG Cu wire
	Dimensions (H x W x D)	5.6" x 9.4" x 2.0" (142 mm x 239 mm x 51 mm)
	Packed Weight	2.2 lbs (1.0 kg)
	Construction	Lexan 920, UL94-VO
	Operating Conditions	Temperature: 32 to 104° F (0 to 40° C) ambient Humidity: 0 to 95% non-condensing
	Storage & Transport	Temperature: -13 to 140° F (-25 to 60° C) ambient Humidity: 0 to 90% non-condensing
Certification	Certification	UL/cUL Recognized, ICES, FCC, RoHS Compliant
Options & Ordering	Standard Product	DMRC820FR-NA (Philips 12NC - 913703551009)
	UL924 Compliant	DMRC820FR-EMG-NA (Philips 12NC - 913703551109)
	CAT5/CAT6 Wiring Adapter	DRJ45ADAPT

## Load compatibility

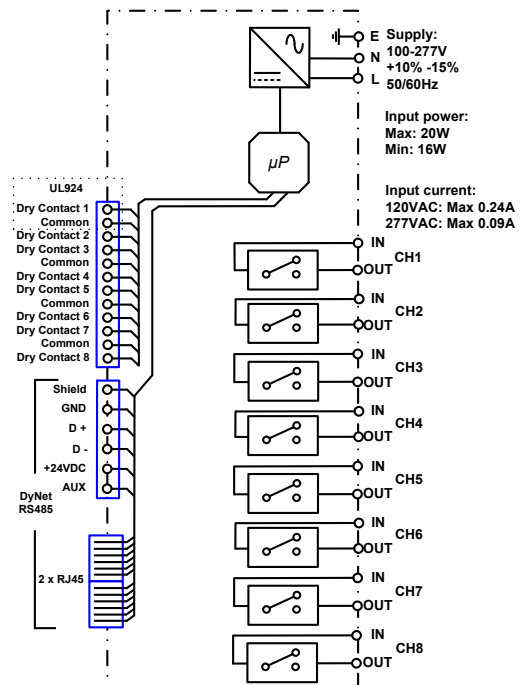
Load Type	Max Load
Resistive Load	20 A, 277 VAC
Tungsten Lamp	20 A, 277 VAC
Magnetic Driver	20 A, 120 VAC
Magnetic Driver	20 A, 277 VAC
Electronic Driver	16 A, 120 VAC
Electronic Driver	16 A, 277 VAC
Horsepower	1 HP, 120 V
Horsepower	2 HP, 277 V



## Electrical Diagram - DMRC820FR-NA



## Electrical Diagram - DMRC820FR-EMG-NA



**Philips Lighting North America**  
200 Franklin Square Dr  
Somerset, NJ, United States  
Tel: 1-800-526-2731  
Email: controls.support@philips.com  
Web: www.philips.com/lightingcontrolsna

**Philips Lighting Canada**  
281 Hillmount Road  
Markham, Ontario L6C 2S3  
Canada

Specifications subject to change without notice. ©WGMGD Pty Ltd Trading as Dynalite. Unit 6, 691 Gardeners Road Mascot 2020 Australia. A.B.N 33 097 246 921. All rights reserved. Dynalite, DyNet and associated logos are the registered trademarks of WGMGD Pty Ltd. Not to be reproduced without permission.