

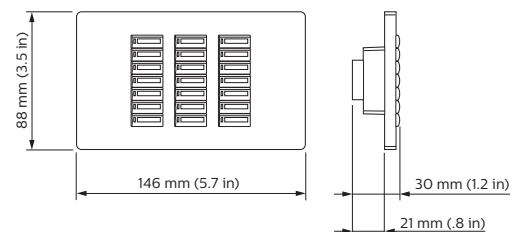
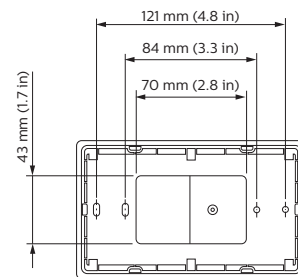
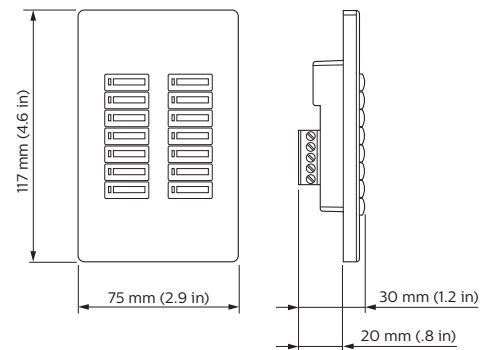
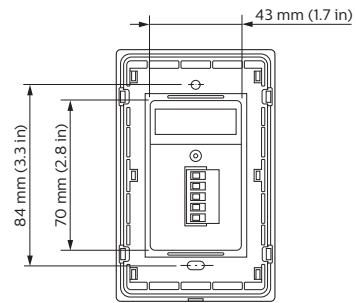


DR2PA Revolution Series User Interfaces

Clip-on cover system provides the ultimate design flexibility

The Philips Dynalite Revolution series of user interfaces provides a direct connection to the DyNet network. The devices can communicate directly with each other, with lighting load controllers and with other integration devices, offering a simple user interface capable of complex automation system functions. The DR2PA range is suitable for, but not limited to, North American, South American, Australian and New Zealand markets.

- Extensive designer range — Innovative clip-on cover fastening system provides the ultimate flexibility in décor-matching. Standard finishes include brushed stainless steel and white or black glass. Custom options available in wood grain, processed stone, laminate or fabric.
- A choice of button colors — To complement the cover color and finish choice, buttons are available in silver, white or charcoal grey. Buttons with IR receive capability are also offered, giving flexible control via a hand-held remote.
- Custom engraving options — Identification of button function is made simple through custom engraving. Buttons can be labeled to identify purpose or area, providing accurate explanation of function. Backlighting assists to locate the UI and provides ease of readability, even in a darkened environment.
- LED status indicators — Easily discern which mode is in operation via the LED indicator on each button.
- Standard control options — Each button can be programmed to perform a range of standard control options that are individually configured to perform functions including toggle lighting on/off and ramp lighting up/down.
- Complex functionality in a single action — A single button press can be used to effect an entire system change, providing a true automation solution.
- Designed to meet any requirement — Available in one to 24 button configurations, the Revolution series user interfaces can be designed to perform as many or as few functions as required.



For detailed product information, please refer to the product information pages at www.philips.com/lightingcontrolsna.

Ordering

The Philips Dynalite Revolution series provides limitless flexibility and design choice through provision of finish, color, backlight and engraving options. Select one component from each column to specify a complete configuration.

Series Prefix: **DR2PA** - Column 1: **MXX** - Column 2 (XX if single column design): **X** - Always X: **C** - Cover Finish: **WE** - Option: **P** - LEDs & Backlight#: **BW** - Always X: **X** - Engraving ##: **C** - **L**

Column Configurations *See notes below right			IR Button Cap	Button Color	Cover Finish	Option	Engraving ##
A	B	C	X Not fitted	W White C Charcoal	SS Brushed Stainless Steel	P Pluggable Screw Terminal	C Custom S Standard N None
D	E	F	I ** Fitted	S Silver	BG Black Borosilicate Glass	LEDs & Backlight# BW Blue Indicator LEDs White Backlight	## Engraving Note: If Standard engraving selected, buttons will be engraved as shown in Column Configuration illustrations for single column ULs. For dual column ULs, numbering will start at top-most left button and continue to bottom-most right hand button.
G	H	I	** IR Button Cap Note: If IR receiver selected, button color choice must be charcoal.		SG White Optically Clear Starfire Glass		
J	K	L	* Column Configuration Notes: 1. Configurations A-F & H are only available in single column layouts. All others are available in single or dual column. 2. OLEDs come non-programmed as standard. eg. include applications for HVAC & AV. Maximum one OLED per panel. Always positioned right-hand column.		WE White (powder coated stainless)	# Backlight Note: BW option only available with charcoal button caps.	Engraving Definition X Standard C Custom (details must accompany order)
M	Q	R			MS Mirrored Stainless Steel		
					XX No cover		

Specifications

Due to continuous improvements and innovations, specifications may change without notice.

Item	Specification	Details
Electrical	DyNet DC Supply	24 V @ 20 - 60 mA / 12V @ 50mA from the DyNet network (depending on button count and backlight usage)
	Control Inputs	One RS-485 DyNet serial port 5-way removable screw terminals, 1 x 14 AWG or 2 x 18 AWG max. conductor size
Physical	Dimensions (H x W x D)	4.6" x 2.9" x 1.2" (117 mm x 75 mm x 30 mm)
	Packed Weight	0.5 lbs (0.2 kgs)
	Construction	Bezel, Key Carrier and Gridplate: Polycarbonate Cover: Various - contact your Philips representative for information
Operating Conditions	Operating Conditions	Temperature: 32 to 122° F (-0 to 50° C) ambient Humidity: 10 to 95% non-condensing
	Storage & Transport	Temperature: -13 to 140° F (-25 to 60° C) ambient Humidity: 0 to 90% non-condensing
Certification	Compliance	FCC, ICES, RoHS Compliant
Options & Ordering	CAT5/CAT6 Wiring Adapter	RJ45ADAPT



Philips Lighting North America
200 Franklin Square Dr
Somerset, NJ, United States
Tel: 1-800-526-2731
Email: controls.support@philips.com
Web: www.philips.com/lightingcontrolsna

Philips Lighting Canada
281 Hillmount Road
Markham, Ontario L6C 2S3
Canada



Specifications subject to change without notice. © WMGD Pty Ltd Trading as Dynalite. Unit 6, 691 Gardeners Road Mascot 2020 Australia. ABN 33 097 246 921. All rights reserved. Dynalite, DyNet and associated logos are the registered trademarks of WMGD Pty Ltd. Not to be reproduced without permission.