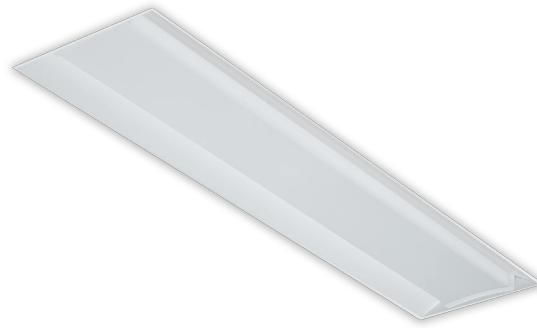


PHILIPS Day-Brite CFI

Recessed

FluxGrid LED 1x4

3000, 3800, or 4500 lumens



Project: _____
 Location: _____
 Cat.No: _____
 Type: _____
 Lumens: _____ Qty: _____
 Notes: _____

The Philips Day-Brite / Philips CFI Recessed FluxGrid LED offers architectural appeal with “must have” features. Two different lens styles, discrete air handling, integral emergency, and access to the boards and driver from below make FluxGrid an ideal solution for a wide range of applications.

Ordering guide

Example: 1FGG41B840-4-D-UNV-DIM

Width	Family	Ceiling Type	Air Function	Lumens	Color	Length	Center Diffuser	Voltage	Driver ⁵	Options
1	FG	G				4				
1 1'	FG FluxGrid	G Grid	Blank ¹ Static H Air return	<i>Standard Configurations</i> 30L 3000 nominal delivered lumens 38L 3800 nominal delivered lumens 45L 4500 nominal delivered lumens <i>Base Configurations</i> 41B¹ 4100 nominal delivered lumens	830 80 CRI, 3000K 835¹ 80 CRI, 3500K 840¹ 80 CRI, 4000K 850 80 CRI, 5000K	4 4'	D¹ Diffuse (ribbed) DS¹ Diffuse (smooth)	UNV¹ Universal voltage 120-277V 120² 120V 277² 277V 347 347V	DIM^{1,6} 0-10V dimming SDIM Step dimming to 40% input power XDIM² MarkX phase dimming L3D³ Lutron Hi-lume A 1% dimming LDE Lutron LDE5 5% dimming DALI DALI	F1¹ 3/8" flex, 3 wire 18 gauge 6' F2¹ 3/8" flex, 4 wire 18 gauge 6' F1/D¹ 3/8" twin flex, 3 wire 18 gauge 6' for dimmable luminaires F2/SW¹ 3/8" single flex, 5 wire 18 gauge 6' for dimmable luminaires F2/6W¹ 3/8" single flex, 6 wire 18 gauge 6' for dimmable and EMLED luminaires GLR¹ Fusing, fast blow EMLED^{1,5} Integral emergency battery pack DAYOCC⁴ Integral sensor, daylighting and occupancy, Philips EasySense SNS102 CHIC¹ Chicago Plenum rated

Footnotes:

1. Base configurations available with noted options.
2. XDIM requires 120V or 277V specification.
3. Specify 38L or 45L lumen packages only.
4. Specify DIM driver option only with DAYOCC controls option. Dimming via wall switch.
5. Philips Bodine BSL310, 1100lm nominal delivered.
6. 0-10v dimming to 1% for Standard, and 5% for Base configurations.

Accessories (order separately)

- **FMA14** – 1'x4' "F" mounting frame for NEMA "F" mounting
- **FGD4L** – FG 4' ribbed replacement lens
- **FGDS4L** – FG 4' smooth replacement lens
- **FGHD4L** – FG 4' air return ribbed replacement lens
- **FGHDS4L** – FG 4' air return smooth replacement lens

Energy data

Luminaire	Catalog Number	Input Power	Efficacy
1x4 Standard	1FGG30L840	24.5	121
	1FGG38L840	31.9	120
	1FGG45L840	38.6	116
1x4 Base	1FGG41B840	33.6	124



1FG Recessed FluxGrid LED 1x4

3000, 3800, or 4500 lumens

Application

- 3" deep low profile configuration provides minimal penetration into the plenum space
- Acrylic diffuser available in ribbed and smooth configurations provides even illumination with comfortable appeal
- Standard and base configurations available in multiple lumen packages to suit the needs of various applications
- Lambertian distribution creates uniform horizontal and vertical illuminance on the work plane and reduces scalloping on the walls
- CRI 80 minimum color rendering with balanced spectrum
- LEDs coupled with standard dimming provide prolonged lumen maintenance. Optional integral sensors contribute further to LED lumen maintenance
- Designed for use with standard Grid (NEMA "G") or Narrow Grid (NEMA "NFG" ceiling T-bars. Drywall or plaster applications require use with the FMA14 "F" mounting frame accessory (sold and shipped separately)
- Continuous row mounting is possible with a 1" gap between fixtures accommodated by others

Enclosure

- Opal acrylic diffuser provides visually comfortable lumenance without compromise to luminaire efficacy.
- Diffuser requires no frames or fasteners and can be easily removed from below without the use of tools

Construction/Finish

- Uncomplicated design is 3" deep with minimal material overlap creating several benefits:
 - Less material required
 - Less packaging required
 - Reduced weight for ease of handling and transit
 - Less energy required for construction and assembly
 - More luminaires can be shipped per truck to reduce fuel consumption
- Metal side covers are die formed with a conical shape to enhance light distribution and visual aesthetic
- Injection molded lens retainers allow for easy, tool-free access to the LED boards and driver from below, and provide positive lens retention
- Luminaire finish is matte white polyester powder coat for high quality, durable finish
- T-bar grid clips are integral to the body
- Air return option provides air flow through a unique lens retainer design. Air passes through architectural forms in the lens retainers (each end), and through the end plate of the luminaire. A cover plate is provided to control air flow through the luminaire, or make it static as required
- Integral controls options include sensor mounted in one lens retainer. Controls are commissioned via intuitive Philips app on a Droid smartphone either through NFC or an IR blaster
- EMLED option requires the emergency battery pack be installed with a top side cover. Access from above

General notes

- All options are factory installed
- All accessories are field installed
- Many luminaire components, such as reflectors, refractors, lenses, sockets, lampholders, and LEDs are made from various types of plastics which can be adversely affected by airborne contaminants. If sulfur based chemicals, petroleum based products, cleaning solutions, or other contaminants are expected in the intended area of use, consult factory for compatibility

Electrical

- Integral sensor options for occupancy sensing and/or daylight harvesting are available for additional energy savings with no reduction of life or increase in installation labor
- Standard configurations provide up to 121 lumens per watt and are available with 5 lumen packages and 3000, 3500, 4000, and 5000K color temperatures
- Base configurations provide up to 124 lumens per watt and are available in 4100 lumen flux and 3500K and 4000K color temperatures
- LED boards are accessible from below by removal of the lens. Lens removal is tool-free by compressing the sides and pushing to one end
- LED driver is accessible from below by removal of the lens and integral wireway cover. The wireway cover is easily removed with a flat head screwdriver
- Other driver options including step dimming (SDIM, 100%/40%), DALI, phase dimming (XDIM), and Lutron are available
- Five year limited luminaire warranty includes LED boards and driver (emergency driver and batteries have a three year warranty in models so equipped). Visit www.philips.com/warranties for complete warranty information
- TM-21 predicted L70 lumen maintenance up to 70,000 hours
- cETLus listed to UL and CSA standards, suitable for damp locations
- FluxGrid luminaires are DesignLights Consortium qualified. Please see the DLC QPL list for exact catalog numbers (<http://www.designlights.org/QPL>)

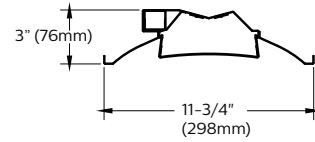
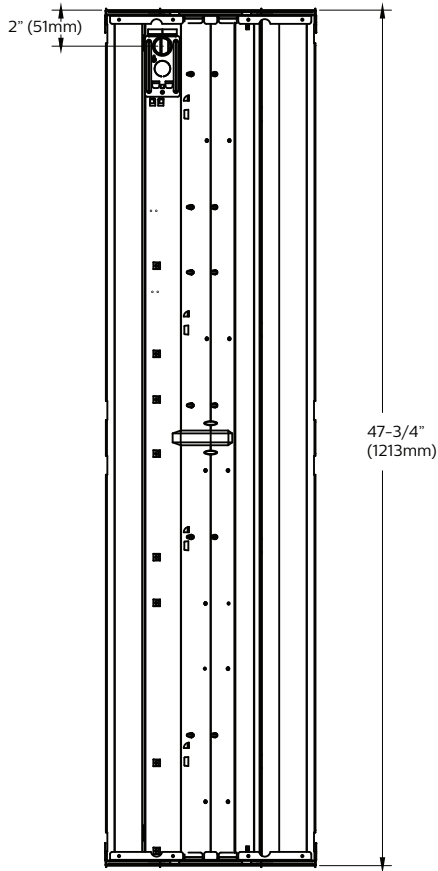
DAYOCC

- Integrated fixture mount Philips EasySense sensor featuring daylight and PIR occupancy sensing
- Compatibility with Philips Advance Xitanium SR Sensor Ready LED drivers
- Features automatic or manual on/off scenarios for code compliance and to realize full energy savings potential
- Basic grouping to a wireless switch via an IR interface with the Philips Field App
- Self-powered single rocker switch Illumra #ZBT-S1AWH (sourced by others), up to 40 luminaires may be grouped to a single switch
- Register for the commissioning app at <http://registration.componentcloud.philips.com/appregistration/>
- For more information visit www.philips.com/EasySense

1FG Recessed FluxGrid LED 1x4

3000, 3800, or 4500 lumens

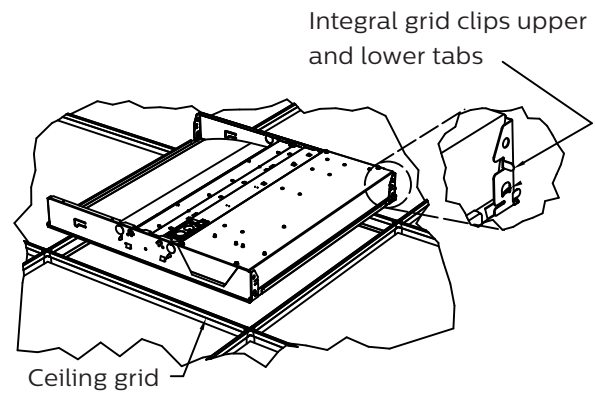
Dimensions



Controls sensor integrated into one lens retainer.



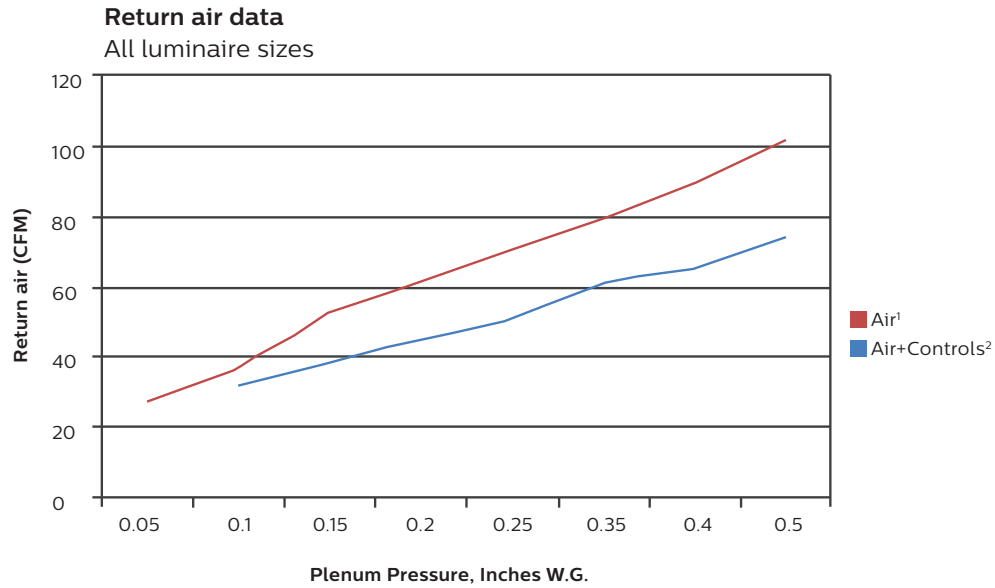
The air return option allows air to flow through vents in the lens retainers on each end. Air blades are provided on each end of the luminaire to control air flow to the plenum.



1FG Recessed FluxGrid LED 1x4

3000, 3800, or 4500 lumens

Air return



Return air - noise criteria

All luminaire sizes

		CFM							
Mode		27	37	53	62	71	80	90	102
Air¹	NC (dB)	<15	24	25	29	33	35	38	40

		CFM							
Mode			31	38	45	51	61	65	74
Air+Controls²	NC (dB)		<15	19	21	25	28	30	34

1. Air-only option includes air return lens retainers and pattern control blades on both ends of luminaire.
2. Air+Controls includes the air return lens retainer and pattern control blade on one end of the luminaire. Control lens retainer on the other with matching width.

1FG Recessed FluxGrid LED 1x4

3000, 3800, or 4500 lumens

Photometry

1x4 FluxGrid recessed LED, base configuration, 4100 nominal delivered lumens

LER - 124

<p>Catalog No. 1FGG41B840-4-D-UNV-DIM</p> <p>Test No. 36798</p> <p>S/MH 1.2</p> <p>Lamp Type LED</p> <p>Lumens 4157</p> <p>Input Watts 34</p> <p>Comparative yearly lighting energy cost per 1000 lumens – \$1.94 based on 3000 hrs. and \$.08 pwr KWH.</p> <p>The photometric results were obtained in the Philips Day-Brite laboratory which is NVLAP accredited by the National Institute of Standards and Technology.</p> <p>Photometric values based on test performed in compliance with LM-79.</p>	<p style="text-align: center;">Candlepower</p> <table border="1"> <thead> <tr> <th>Angle</th> <th>End</th> <th>45</th> <th>Cross</th> <th>Back-45</th> </tr> </thead> <tbody> <tr><td>0</td><td>1595</td><td>1595</td><td>1595</td><td>1595</td></tr> <tr><td>5</td><td>1569</td><td>1584</td><td>1590</td><td>1584</td></tr> <tr><td>15</td><td>1497</td><td>1505</td><td>1509</td><td>1505</td></tr> <tr><td>25</td><td>1352</td><td>1363</td><td>1372</td><td>1363</td></tr> <tr><td>35</td><td>1150</td><td>1177</td><td>1196</td><td>1177</td></tr> <tr><td>45</td><td>921</td><td>980</td><td>1005</td><td>980</td></tr> <tr><td>55</td><td>684</td><td>757</td><td>782</td><td>757</td></tr> <tr><td>65</td><td>421</td><td>523</td><td>516</td><td>523</td></tr> <tr><td>75</td><td>214</td><td>245</td><td>233</td><td>245</td></tr> <tr><td>85</td><td>41</td><td>42</td><td>36</td><td>42</td></tr> </tbody> </table>	Angle	End	45	Cross	Back-45	0	1595	1595	1595	1595	5	1569	1584	1590	1584	15	1497	1505	1509	1505	25	1352	1363	1372	1363	35	1150	1177	1196	1177	45	921	980	1005	980	55	684	757	782	757	65	421	523	516	523	75	214	245	233	245	85	41	42	36	42	<p>Light Distribution</p> <table border="1"> <thead> <tr> <th>Degrees</th> <th>Lumens</th> <th>% Luminaire</th> </tr> </thead> <tbody> <tr><td>0-30</td><td>1203</td><td>28.9</td></tr> <tr><td>0-40</td><td>1939</td><td>46.6</td></tr> <tr><td>0-60</td><td>3354</td><td>80.6</td></tr> <tr><td>0-90</td><td>4150</td><td>99.8</td></tr> <tr><td>0-180</td><td>4160</td><td>100</td></tr> </tbody> </table> <p>Average Luminance</p> <table border="1"> <thead> <tr> <th>Zone</th> <th>End</th> <th>45°</th> <th>Cross</th> </tr> </thead> <tbody> <tr><td>45</td><td>7833</td><td>8328</td><td>8541</td></tr> <tr><td>55</td><td>7163</td><td>7932</td><td>8196</td></tr> <tr><td>65</td><td>5994</td><td>7436</td><td>7342</td></tr> <tr><td>75</td><td>4961</td><td>5697</td><td>5418</td></tr> <tr><td>85</td><td>2807</td><td>2924</td><td>2469</td></tr> </tbody> </table> <p>Coefficients of Utilization</p> <p>EFFECTIVE FLOOR CAVITY REFLECTANCE 20 PER (pfc=0.20)</p> <table border="1"> <thead> <tr> <th>pfc =</th> <th colspan="3">20</th> <th colspan="3">80</th> <th colspan="3">70</th> <th colspan="3">50</th> </tr> <tr> <th>Ceil</th> <th colspan="3"></th> <th colspan="3"></th> <th colspan="3"></th> <th colspan="3"></th> </tr> <tr> <th>Wall</th> <th>70</th> <th>50</th> <th>30</th> <th>70</th> <th>50</th> <th>30</th> <th>50</th> <th>30</th> <th>70</th> <th>50</th> <th>30</th> </tr> <tr> <th>RCR</th> <th colspan="11"></th> </tr> </thead> <tbody> <tr><td>0</td><td>118</td><td>118</td><td>118</td><td>115</td><td>115</td><td>115</td><td>111</td><td>111</td><td>111</td><td>111</td><td>111</td></tr> <tr><td>1</td><td>109</td><td>105</td><td>100</td><td>106</td><td>102</td><td>97</td><td>97</td><td>94</td><td>94</td><td>94</td><td>94</td></tr> <tr><td>2</td><td>98</td><td>91</td><td>84</td><td>96</td><td>89</td><td>82</td><td>85</td><td>81</td><td>81</td><td>81</td><td>81</td></tr> <tr><td>3</td><td>91</td><td>80</td><td>71</td><td>88</td><td>79</td><td>70</td><td>76</td><td>68</td><td>68</td><td>68</td><td>68</td></tr> <tr><td>4</td><td>82</td><td>70</td><td>63</td><td>81</td><td>69</td><td>61</td><td>68</td><td>60</td><td>60</td><td>60</td><td>60</td></tr> <tr><td>5</td><td>77</td><td>64</td><td>55</td><td>73</td><td>63</td><td>54</td><td>60</td><td>53</td><td>53</td><td>53</td><td>53</td></tr> <tr><td>6</td><td>70</td><td>57</td><td>48</td><td>68</td><td>56</td><td>47</td><td>55</td><td>46</td><td>46</td><td>46</td><td>46</td></tr> <tr><td>7</td><td>66</td><td>52</td><td>44</td><td>64</td><td>51</td><td>42</td><td>50</td><td>41</td><td>41</td><td>41</td><td>41</td></tr> <tr><td>8</td><td>60</td><td>47</td><td>39</td><td>59</td><td>46</td><td>39</td><td>46</td><td>38</td><td>38</td><td>38</td><td>38</td></tr> <tr><td>9</td><td>56</td><td>44</td><td>35</td><td>56</td><td>42</td><td>34</td><td>41</td><td>34</td><td>34</td><td>34</td><td>34</td></tr> <tr><td>10</td><td>54</td><td>40</td><td>33</td><td>52</td><td>40</td><td>32</td><td>39</td><td>32</td><td>32</td><td>32</td><td>32</td></tr> </tbody> </table>	Degrees	Lumens	% Luminaire	0-30	1203	28.9	0-40	1939	46.6	0-60	3354	80.6	0-90	4150	99.8	0-180	4160	100	Zone	End	45°	Cross	45	7833	8328	8541	55	7163	7932	8196	65	5994	7436	7342	75	4961	5697	5418	85	2807	2924	2469	pfc =	20			80			70			50			Ceil													Wall	70	50	30	70	50	30	50	30	70	50	30	RCR												0	118	118	118	115	115	115	111	111	111	111	111	1	109	105	100	106	102	97	97	94	94	94	94	2	98	91	84	96	89	82	85	81	81	81	81	3	91	80	71	88	79	70	76	68	68	68	68	4	82	70	63	81	69	61	68	60	60	60	60	5	77	64	55	73	63	54	60	53	53	53	53	6	70	57	48	68	56	47	55	46	46	46	46	7	66	52	44	64	51	42	50	41	41	41	41	8	60	47	39	59	46	39	46	38	38	38	38	9	56	44	35	56	42	34	41	34	34	34	34	10	54	40	33	52	40	32	39	32	32	32	32
Angle	End	45	Cross	Back-45																																																																																																																																																																																																																																																																																					
0	1595	1595	1595	1595																																																																																																																																																																																																																																																																																					
5	1569	1584	1590	1584																																																																																																																																																																																																																																																																																					
15	1497	1505	1509	1505																																																																																																																																																																																																																																																																																					
25	1352	1363	1372	1363																																																																																																																																																																																																																																																																																					
35	1150	1177	1196	1177																																																																																																																																																																																																																																																																																					
45	921	980	1005	980																																																																																																																																																																																																																																																																																					
55	684	757	782	757																																																																																																																																																																																																																																																																																					
65	421	523	516	523																																																																																																																																																																																																																																																																																					
75	214	245	233	245																																																																																																																																																																																																																																																																																					
85	41	42	36	42																																																																																																																																																																																																																																																																																					
Degrees	Lumens	% Luminaire																																																																																																																																																																																																																																																																																							
0-30	1203	28.9																																																																																																																																																																																																																																																																																							
0-40	1939	46.6																																																																																																																																																																																																																																																																																							
0-60	3354	80.6																																																																																																																																																																																																																																																																																							
0-90	4150	99.8																																																																																																																																																																																																																																																																																							
0-180	4160	100																																																																																																																																																																																																																																																																																							
Zone	End	45°	Cross																																																																																																																																																																																																																																																																																						
45	7833	8328	8541																																																																																																																																																																																																																																																																																						
55	7163	7932	8196																																																																																																																																																																																																																																																																																						
65	5994	7436	7342																																																																																																																																																																																																																																																																																						
75	4961	5697	5418																																																																																																																																																																																																																																																																																						
85	2807	2924	2469																																																																																																																																																																																																																																																																																						
pfc =	20			80			70			50																																																																																																																																																																																																																																																																															
Ceil																																																																																																																																																																																																																																																																																									
Wall	70	50	30	70	50	30	50	30	70	50	30																																																																																																																																																																																																																																																																														
RCR																																																																																																																																																																																																																																																																																									
0	118	118	118	115	115	115	111	111	111	111	111																																																																																																																																																																																																																																																																														
1	109	105	100	106	102	97	97	94	94	94	94																																																																																																																																																																																																																																																																														
2	98	91	84	96	89	82	85	81	81	81	81																																																																																																																																																																																																																																																																														
3	91	80	71	88	79	70	76	68	68	68	68																																																																																																																																																																																																																																																																														
4	82	70	63	81	69	61	68	60	60	60	60																																																																																																																																																																																																																																																																														
5	77	64	55	73	63	54	60	53	53	53	53																																																																																																																																																																																																																																																																														
6	70	57	48	68	56	47	55	46	46	46	46																																																																																																																																																																																																																																																																														
7	66	52	44	64	51	42	50	41	41	41	41																																																																																																																																																																																																																																																																														
8	60	47	39	59	46	39	46	38	38	38	38																																																																																																																																																																																																																																																																														
9	56	44	35	56	42	34	41	34	34	34	34																																																																																																																																																																																																																																																																														
10	54	40	33	52	40	32	39	32	32	32	32																																																																																																																																																																																																																																																																														

1x4 FluxGrid recessed LED, standard configuration, 3000 nominal delivered lumens

LER - 121

<p>Catalog No. 1FGG30L840-4-D-UNV-DIM</p> <p>Test No. 36797</p> <p>S/MH 1.2</p> <p>Lamp Type LED</p> <p>Lumens 2975</p> <p>Input Watts 24</p> <p>Comparative yearly lighting energy cost per 1000 lumens – \$1.97 based on 3000 hrs. and \$.08 pwr KWH.</p> <p>The photometric results were obtained in the Philips Day-Brite laboratory which is NVLAP accredited by the National Institute of Standards and Technology.</p> <p>Photometric values based on test performed in compliance with LM-79.</p>	<p style="text-align: center;">Candlepower</p> <table border="1"> <thead> <tr> <th>Angle</th> <th>End</th> <th>45</th> <th>Cross</th> <th>Back-45</th> </tr> </thead> <tbody> <tr><td>0</td><td>1156</td><td>1156</td><td>1156</td><td>1156</td></tr> <tr><td>5</td><td>1137</td><td>1148</td><td>1152</td><td>1148</td></tr> <tr><td>15</td><td>1084</td><td>1090</td><td>1094</td><td>1090</td></tr> <tr><td>25</td><td>979</td><td>987</td><td>994</td><td>987</td></tr> <tr><td>35</td><td>833</td><td>854</td><td>867</td><td>854</td></tr> <tr><td>45</td><td>667</td><td>711</td><td>727</td><td>711</td></tr> <tr><td>55</td><td>462</td><td>521</td><td>548</td><td>521</td></tr> <tr><td>65</td><td>305</td><td>353</td><td>349</td><td>353</td></tr> <tr><td>75</td><td>154</td><td>177</td><td>168</td><td>177</td></tr> <tr><td>85</td><td>29</td><td>30</td><td>26</td><td>30</td></tr> </tbody> </table>	Angle	End	45	Cross	Back-45	0	1156	1156	1156	1156	5	1137	1148	1152	1148	15	1084	1090	1094	1090	25	979	987	994	987	35	833	854	867	854	45	667	711	727	711	55	462	521	548	521	65	305	353	349	353	75	154	177	168	177	85	29	30	26	30	<p>Light Distribution</p> <table border="1"> <thead> <tr> <th>Degrees</th> <th>Lumens</th> <th>% Luminaire</th> </tr> </thead> <tbody> <tr><td>0-30</td><td>871</td><td>29.3</td></tr> <tr><td>0-40</td><td>1405</td><td>47.2</td></tr> <tr><td>0-60</td><td>2411</td><td>81</td></tr> <tr><td>0-90</td><td>2970</td><td>99.8</td></tr> <tr><td>0-180</td><td>2977</td><td>100</td></tr> </tbody> </table> <p>Average Luminance</p> <table border="1"> <thead> <tr> <th>Zone</th> <th>End</th> <th>45°</th> <th>Cross</th> </tr> </thead> <tbody> <tr><td>45</td><td>5667</td><td>6042</td><td>6184</td></tr> <tr><td>55</td><td>4839</td><td>5455</td><td>5743</td></tr> <tr><td>65</td><td>4332</td><td>5022</td><td>4960</td></tr> <tr><td>75</td><td>3579</td><td>4111</td><td>3906</td></tr> <tr><td>85</td><td>2028</td><td>2069</td><td>1766</td></tr> </tbody> </table> <p>Coefficients of Utilization</p> <p>EFFECTIVE FLOOR CAVITY REFLECTANCE 20 PER (pfc=0.20)</p> <table border="1"> <thead> <tr> <th>pfc =</th> <th colspan="3">20</th> <th colspan="3">80</th> <th colspan="3">70</th> <th colspan="3">50</th> </tr> <tr> <th>Ceil</th> <th colspan="3"></th> <th colspan="3"></th> <th colspan="3"></th> <th colspan="3"></th> </tr> <tr> <th>Wall</th> <th>70</th> <th>50</th> <th>30</th> <th>70</th> <th>50</th> <th>30</th> <th>50</th> <th>30</th> <th>70</th> <th>50</th> <th>30</th> </tr> <tr> <th>RCR</th> <th colspan="11"></th> </tr> </thead> <tbody> <tr><td>0</td><td>118</td><td>118</td><td>118</td><td>115</td><td>115</td><td>115</td><td>111</td><td>111</td><td>111</td><td>111</td><td>111</td></tr> <tr><td>1</td><td>109</td><td>105</td><td>100</td><td>106</td><td>102</td><td>98</td><td>97</td><td>94</td><td>94</td><td>94</td><td>94</td></tr> <tr><td>2</td><td>100</td><td>92</td><td>84</td><td>96</td><td>90</td><td>83</td><td>85</td><td>81</td><td>81</td><td>81</td><td>81</td></tr> <tr><td>3</td><td>91</td><td>81</td><td>72</td><td>88</td><td>79</td><td>71</td><td>76</td><td>69</td><td>69</td><td>69</td><td>69</td></tr> <tr><td>4</td><td>82</td><td>71</td><td>63</td><td>81</td><td>69</td><td>61</td><td>68</td><td>60</td><td>60</td><td>60</td><td>60</td></tr> <tr><td>5</td><td>77</td><td>64</td><td>55</td><td>75</td><td>63</td><td>55</td><td>60</td><td>54</td><td>54</td><td>54</td><td>54</td></tr> <tr><td>6</td><td>70</td><td>57</td><td>48</td><td>68</td><td>56</td><td>48</td><td>55</td><td>47</td><td>47</td><td>47</td><td>47</td></tr> <tr><td>7</td><td>66</td><td>53</td><td>44</td><td>64</td><td>52</td><td>44</td><td>50</td><td>42</td><td>42</td><td>42</td><td>42</td></tr> <tr><td>8</td><td>60</td><td>47</td><td>40</td><td>59</td><td>46</td><td>39</td><td>46</td><td>39</td><td>39</td><td>39</td><td>39</td></tr> <tr><td>9</td><td>56</td><td>44</td><td>35</td><td>56</td><td>44</td><td>35</td><td>41</td><td>34</td><td>34</td><td>34</td><td>34</td></tr> <tr><td>10</td><td>54</td><td>40</td><td>33</td><td>53</td><td>40</td><td>33</td><td>39</td><td>32</td><td>32</td><td>32</td><td>32</td></tr> </tbody> </table>	Degrees	Lumens	% Luminaire	0-30	871	29.3	0-40	1405	47.2	0-60	2411	81	0-90	2970	99.8	0-180	2977	100	Zone	End	45°	Cross	45	5667	6042	6184	55	4839	5455	5743	65	4332	5022	4960	75	3579	4111	3906	85	2028	2069	1766	pfc =	20			80			70			50			Ceil													Wall	70	50	30	70	50	30	50	30	70	50	30	RCR												0	118	118	118	115	115	115	111	111	111	111	111	1	109	105	100	106	102	98	97	94	94	94	94	2	100	92	84	96	90	83	85	81	81	81	81	3	91	81	72	88	79	71	76	69	69	69	69	4	82	71	63	81	69	61	68	60	60	60	60	5	77	64	55	75	63	55	60	54	54	54	54	6	70	57	48	68	56	48	55	47	47	47	47	7	66	53	44	64	52	44	50	42	42	42	42	8	60	47	40	59	46	39	46	39	39	39	39	9	56	44	35	56	44	35	41	34	34	34	34	10	54	40	33	53	40	33	39	32	32	32	32
Angle	End	45	Cross	Back-45																																																																																																																																																																																																																																																																																					
0	1156	1156	1156	1156																																																																																																																																																																																																																																																																																					
5	1137	1148	1152	1148																																																																																																																																																																																																																																																																																					
15	1084	1090	1094	1090																																																																																																																																																																																																																																																																																					
25	979	987	994	987																																																																																																																																																																																																																																																																																					
35	833	854	867	854																																																																																																																																																																																																																																																																																					
45	667	711	727	711																																																																																																																																																																																																																																																																																					
55	462	521	548	521																																																																																																																																																																																																																																																																																					
65	305	353	349	353																																																																																																																																																																																																																																																																																					
75	154	177	168	177																																																																																																																																																																																																																																																																																					
85	29	30	26	30																																																																																																																																																																																																																																																																																					
Degrees	Lumens	% Luminaire																																																																																																																																																																																																																																																																																							
0-30	871	29.3																																																																																																																																																																																																																																																																																							
0-40	1405	47.2																																																																																																																																																																																																																																																																																							
0-60	2411	81																																																																																																																																																																																																																																																																																							
0-90	2970	99.8																																																																																																																																																																																																																																																																																							
0-180	2977	100																																																																																																																																																																																																																																																																																							
Zone	End	45°	Cross																																																																																																																																																																																																																																																																																						
45	5667	6042	6184																																																																																																																																																																																																																																																																																						
55	4839	5455	5743																																																																																																																																																																																																																																																																																						
65	4332	5022	4960																																																																																																																																																																																																																																																																																						
75	3579	4111	3906																																																																																																																																																																																																																																																																																						
85	2028	2069	1766																																																																																																																																																																																																																																																																																						
pfc =	20			80			70			50																																																																																																																																																																																																																																																																															
Ceil																																																																																																																																																																																																																																																																																									
Wall	70	50	30	70	50	30	50	30	70	50	30																																																																																																																																																																																																																																																																														
RCR																																																																																																																																																																																																																																																																																									
0	118	118	118	115	115	115	111	111	111	111	111																																																																																																																																																																																																																																																																														
1	109	105	100	106	102	98	97	94	94	94	94																																																																																																																																																																																																																																																																														
2	100	92	84	96	90	83	85	81	81	81	81																																																																																																																																																																																																																																																																														
3	91	81	72	88	79	71	76	69	69	69	69																																																																																																																																																																																																																																																																														
4	82	71	63	81	69	61	68	60	60	60	60																																																																																																																																																																																																																																																																														
5	77	64	55	75	63	55	60	54	54	54	54																																																																																																																																																																																																																																																																														
6	70	57	48	68	56	48	55	47	47	47	47																																																																																																																																																																																																																																																																														
7	66	53	44	64	52	44	50	42	42	42	42																																																																																																																																																																																																																																																																														
8	60	47	40	59	46	39	46	39	39	39	39																																																																																																																																																																																																																																																																														
9	56	44	35	56	44	35	41	34	34	34	34																																																																																																																																																																																																																																																																														
10	54	40	33	53	40	33	39	32	32	32	32																																																																																																																																																																																																																																																																														

1FG Recessed FluxGrid LED 1x4

3000, 3800, or 4500 lumens

Photometry

1x4 FluxGrid recessed LED, standard configuration, 3800 nominal delivered lumens

LER - 120

Catalog No.	1FGG38L840-4-D-UNV-DIM
Test No.	36796
S/MH	1.2
Lamp Type	LED
Lumens	3830
Input Watts	32

Comparative yearly lighting energy cost per 1000 lumens – **\$2.00** based on 3000 hrs. and \$.08 pwr KWH.

The photometric results were obtained in the Philips Day-Brite laboratory which is NVLAP accredited by the National Institute of Standards and Technology.

Photometric values based on test performed in compliance with LM-79.

Candlepower

Angle	End	45	Cross	Back-45
0	1480	1480	1480	1480
5	1456	1470	1475	1470
15	1388	1396	1401	1396
25	1254	1264	1274	1264
35	1067	1093	1111	1093
45	853	911	932	911
55	633	705	725	705
65	391	454	447	454
75	198	227	216	227
85	38	39	33	39

Light Distribution

Degrees	Lumens	% Luminaire
0-30	1116	29.1
0-40	1798	46.9
0-60	3111	81.2
0-90	3831	100
0-180	3832	100

Average Luminance

Zone	End	45°	Cross
45	7255	7742	7919
55	6636	7383	7595
65	5554	6453	6355
75	4592	5281	5019
85	2586	2683	2297

Coefficients of Utilization

EFFECTIVE FLOOR CAVITY REFLECTANCE 20 PER (pfc=0.20)												
pfc =	20			80			70			50		
Ceil												
Wall	70	50	30	70	50	30	50	30	70	50	30	
RCR												
0	118	118	118	115	115	115	111	111	111	111	111	
1	109	105	100	106	102	98	97	94	94	94	94	
2	100	92	84	96	90	83	85	81	81	81	81	
3	91	81	72	88	79	71	76	69	69	69	69	
4	82	71	63	81	69	61	68	60	60	60	60	
5	77	64	55	75	63	55	60	53	53	53	53	
6	70	57	48	68	56	47	55	47	47	47	47	
7	66	52	44	64	52	42	50	42	42	42	42	
8	60	47	39	59	46	39	46	39	39	39	39	
9	56	44	35	56	42	35	41	34	34	34	34	
10	54	40	33	52	40	33	39	32	32	32	32	

1x4 FluxGrid recessed LED, standard configuration, 4500 nominal delivered lumens

LER - 116

Catalog No.	1FGG45L840-4-D-UNV-DIM
Test No.	36795
S/MH	1.2
Lamp Type	LED
Lumens	4546
Input Watts	39

Comparative yearly lighting energy cost per 1000 lumens – **\$2.03** based on 3000 hrs. and \$.08 pwr KWH.

The photometric results were obtained in the Philips Day-Brite laboratory which is NVLAP accredited by the National Institute of Standards and Technology.

Photometric values based on test performed in compliance with LM-79.

Candlepower

Angle	End	45	Cross	Back-45
0	1751	1751	1751	1751
5	1723	1739	1746	1739
15	1643	1652	1658	1652
25	1484	1495	1507	1495
35	1263	1293	1314	1293
45	1010	1077	1103	1077
55	750	833	859	833
65	462	558	551	558
75	235	269	257	269
85	45	46	40	46

Light Distribution

Degrees	Lumens	% Luminaire
0-30	1320	29
0-40	2129	46.8
0-60	3683	81
0-90	4548	100
0-180	4548	100

Average Luminance

Zone	End	45°	Cross
45	8587	9155	9376
55	7860	8728	9001
65	6577	7931	7834
75	5446	6254	5957
85	3069	3193	2773

Coefficients of Utilization

EFFECTIVE FLOOR CAVITY REFLECTANCE 20 PER (pfc=0.20)												
pfc =	20			80			70			50		
Ceil												
Wall	70	50	30	70	50	30	50	30	70	50	30	
RCR												
0	118	118	118	115	115	115	111	111	111	111	111	
1	109	105	100	106	102	98	97	94	94	94	94	
2	98	91	84	96	90	82	85	81	81	81	81	
3	91	81	72	88	79	71	76	69	69	69	69	
4	82	70	63	81	69	61	68	60	60	60	60	
5	77	64	55	75	63	55	60	53	53	53	53	
6	70	57	48	68	56	47	55	46	46	46	46	
7	66	52	44	64	52	42	50	42	42	42	42	
8	60	47	39	59	46	39	46	39	39	39	39	
9	56	44	35	56	42	35	41	34	34	34	34	
10	54	40	33	52	40	33	39	32	32	32	32	

© 2016 Philips Lighting Holding B.V. All rights reserved. Philips reserves the right to make changes in specifications and/or to discontinue any product at any time without notice or obligation and will not be liable for any consequences resulting from the use of this publication. philips.com/luminaires



Philips Lighting North America Corporation
200 Franklin Square Drive, Somerset, NJ 08873
Tel. 855-486-2216

Philips Lighting Canada Ltd.
281 Hillmount Rd, Markham, ON, Canada L6C 2S3
Tel. 800-668-9008