

2 or 4 Lamp
T5 or T8

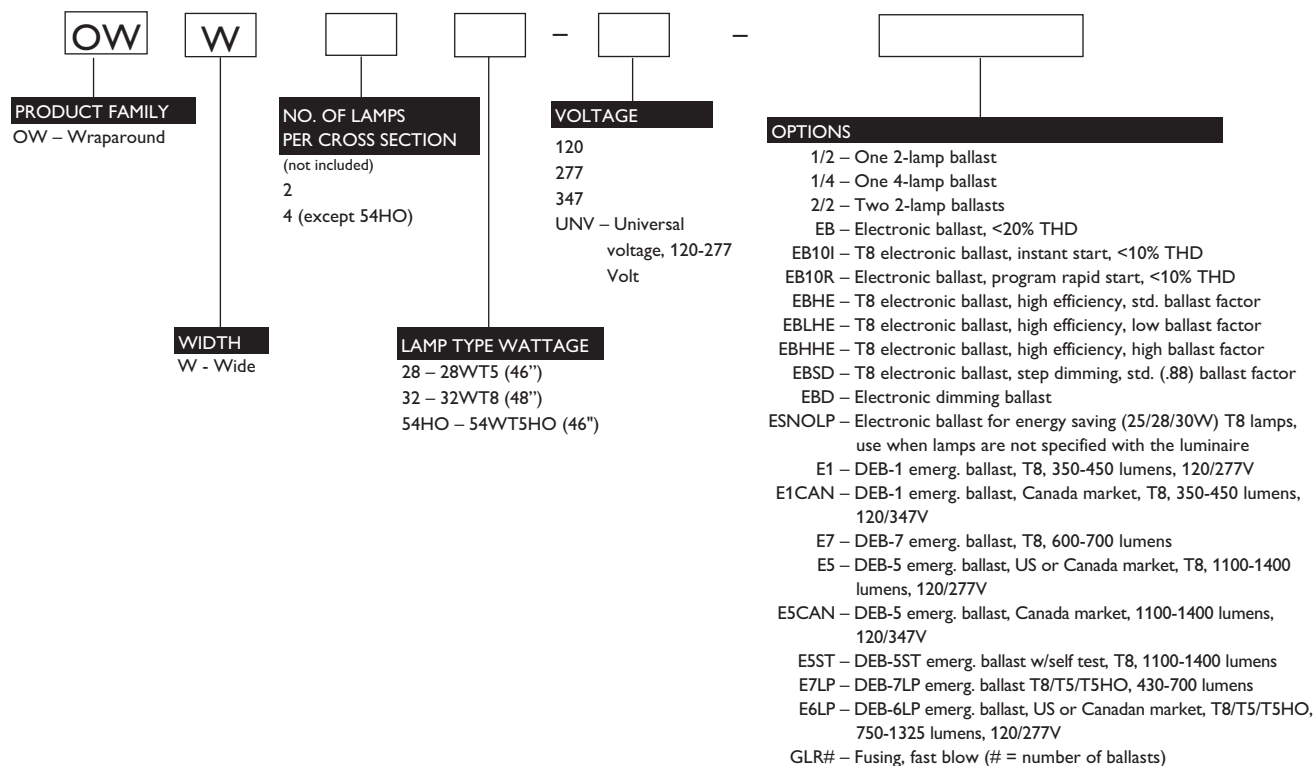
CONSTRUCTION/FINISH

- Pattern 12 bottom prisms with interior linear side wall prisms for maximum cleanliness and light control.
- Tapered shape provides a modern appearance.
- Full steel end plates feature embosses for improved aesthetics.
- 100% virgin acrylic lens hinges from either side for easy maintenance.
- Housing is multi-stage phosphate treated for maximum corrosion resistance and finish coat is high reflectance baked white enamel.
- Multiple knockouts accommodate a variety of mounting methods.
- Heavy duty channel of code gauge die formed steel.
- For surface or stem mounting.

ELECTRICAL

- cULus listed for direct mounting on low density ceilings and damp locations.
- Self-contained fluorescent emergency power packs can be incorporated, listed for dry locations.
- Lampholders may be individually replaced or rewired.

CATALOG NUMBER

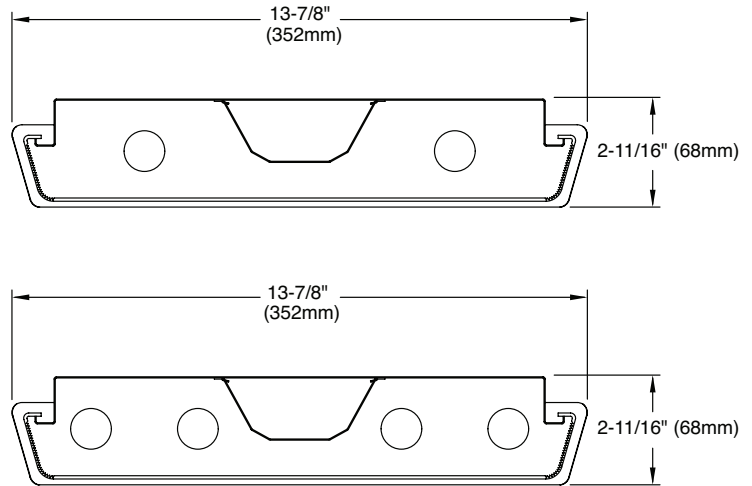
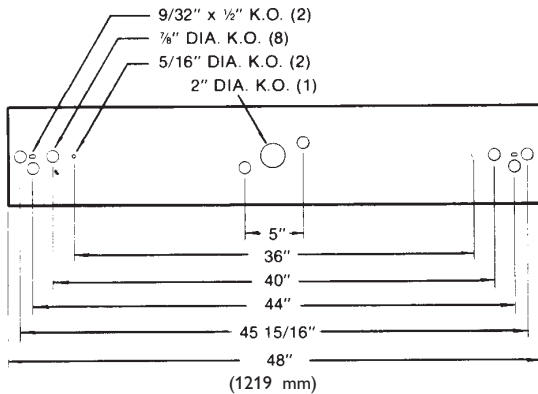


See Section 1600-OA for Option Information.
See Page 950-SS for Mounting Hardware.

JOB INFORMATION



DIMENSIONS



PHOTOMETRIC DATA

CATALOG # OWW 432-1/4-EB
TEST # ITL41980 S/MH=1.4

LAMPS = F32 T8
BALLAST = ELECTRONIC BALLAST FACTOR = .91

LER = 73
TER = 63

COMPARATIVE YEARLY LIGHTING ENERGY COST PER 1000 LUMENS = \$3.29 BASED ON 3000 HRS. AND \$.08 PER KWH.

FIXTURE EFFICIENCY= 74.1%

CANDLEPOWER			
Angle	End	45	Cross
0	2848	2848	2848
5	2852	2847	2840
15	2761	2792	2818
25	2567	2667	2741
35	2281	2457	2567
45	1875	2120	2248
55	1144	1349	1267
65	555	727	739
75	276	390	528
85	98	195	379
95	1	159	311
105	2	183	270
115	6	141	202
125	9	100	142
135	11	63	88
145	12	48	64
155	12	33	47
165	11	19	28
175	9	11	15

MAINTAINED ILLUMINATION TABLE- Square Feet/ Fixture*						
■ 80-50-20 Reflectances (Ceiling-Wall-Floor) ■ LLF = 0.75 2900 Lumens/Lamp very clean ■ Room width divided by room height = 5 or more, 2 or 1						
Fixture Size & # of Lamps	Room Width Room Height =	Approx. Area (sq. ft.) per Fixture				
		10 ft-c	30 ft-c	50 ft-c	70 ft-c	100 ft-c
4'	5	-	-	133	95	66
4- Lamp	2	-	-	92	65	46
	1	-	112	67	48	34

*Observe Fixture S/MH Requirements for Specific Applications

AVERAGE LUMINANCE CD/SQ.M WITH 2900 LUMEN LAMPS			
ANGLE	END	45°	CROSS
45	6460	6882	6899
55	4859	5268	4579
65	3199	3704	3373
75	2598	2987	3410
85	2739	3205	4411

TYPICAL V.C.P.'s				
Room Size	Mounting Height			
	Lengthwise	Crosswise		
	8.5	10	8.5	10
30x30	49	52	45	49
40x40	46	48	40	44
60x30	51	54	49	52
60x60	43	45	36	39
100x100	43	43	32	34

COEFFICIENT OF UTILIZATION									
pfc pcc pw	20			70			50		
	70	50	30	70	50	30	50	30	30
RCR									
0	86	86	86	83	83	83	79	79	79
1	80	76	72	77	73	70	69	67	67
2	72	67	61	69	65	59	60	57	57
3	66	58	53	64	56	52	54	50	50
4	60	52	46	58	51	45	48	44	44
5	56	46	40	54	46	40	44	38	38
6	52	41	35	50	40	34	40	34	34
7	47	38	32	46	38	32	35	30	30
8	45	34	28	42	34	28	33	28	28
9	41	32	26	40	30	26	29	25	25
10	39	29	23	38	28	23	28	23	23

LIGHT DISTRIBUTION			
DEGREES	LUMENS	% LAMP	% FIXTURE
0-30	2289	19.7	26.6
0-40	3817	32.9	44.4
0-60	6596	56.9	76.7
0-90	7968	68.7	92.7
90-180	631	5.4	7.3
0-180	8599	74.1	100.0

LLF = .75 LLF = LIGHT LOSS FACTOR LLF = LDD X LLD X BF LDD = VERY CLEAN 0.94 CLEAN 0.90 LLD = 0.88 @ 40% RATED LAMP LIFE BF = 0.91 ELECTRONIC BALLAST & T8 LAMP (RELAMP AT 70% LAMP LIFE)



Some luminaires use fluorescent or high intensity discharge (HID) lamps that contain small amounts of mercury. Such lamps are labeled, "Contain Mercury" and/or the symbol "HG". Lamps that contain mercury must be disposed of in accordance with local requirements. Information regarding lamp recycling and disposal can be found at www.lamprecycle.org



© 2014 Koninklijke Philips N.V. All rights reserved. Specifications are subject to change without notice. www.philips.com/luminaires

Philips Lighting
North America Corporation
200 Franklin Square Drive
Somerset, NJ 08873
Phone: 855-486-2216

Philips Lighting Company
281 Hillmount Road
Markham ON, Canada L6C 2S3
Phone: 800-668-9008