

READ AND UNDERSTAND THESE INSTRUCTIONS BEFORE INSTALLING FIXTURE

This fixture is intended for installation in accordance with the National Electrical Code and local regulations. To assure full compliance with local codes and regulations, check with your local electrical inspector before installation. To prevent electrical shock, turn off electricity at fuse box before proceeding.

Retain these instructions for maintenance reference.

INSTRUCTION SHEET NO.

IS:6046

R0992

Page 1 of 2

**POWER EXTENSION CONNECTOR
FOR USE WITH BASIC LYTESPAN® TRACK SYSTEMS ONLY.**

The POWER EXTENSION CONNECTOR allows power to be jumped from one track, around or through structural obstacles, to another track unit. It replaces the DEAD END COVER at the end of an Individual track unit or a run of track units. Power can be fed into or removed from the POWER EXTENSION CONNECTOR by using any of the power feed-in kits available for Basic Lytespan. A few examples are shown here.

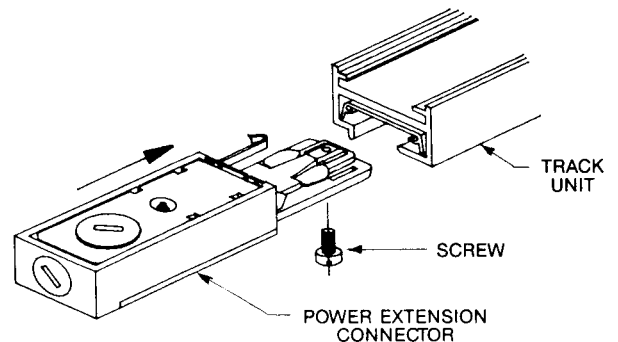
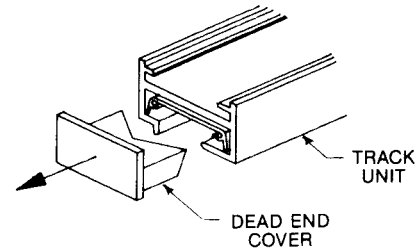
CAUTION:

- **TURN OFF POWER AT FUSE BOX BEFORE INSTALLING TRACK.**
- **INSTRUCTIONS FOR GROUNDING PER INSTRUCTION SHEET OF THE FEED-IN KIT MUST BE FOLLOWED. FAILURE TO DO SO MAY RESULT IN A HAZARDOUS CONDITION.**
- **USE ONLY #12 GA. SOLID COPPER WIRE IN CONNECTORS TO MAINTAIN PROPER RATING OF TRACK.**
- **OBSERVE POLARITY, WHITE (NEUTRAL) WIRE MUST BE CONNECTED TO TERMINAL MARKED "NEUT". FAILURE TO OBSERVE POLARITY MAY RESULT IN AN ELECTRICAL HAZARD.**
- **DO NOT USE TRACK AS A CONDUIT SUPPORT. INDEPENDENT CONDUIT SUPPORTS (SUCH AS SUITABLE CONDUIT STRAPS) MUST BE USED TO ATTACH THE CONDUIT INSTALLATION TO THE BUILDING STRUCTURE.**

INSTALLING THE POWER EXTENSION CONNECTOR

1. Remove the DEAD END COVER from the track.
2. Insert the POWER EXTENSION CONNECTOR in place of the DEAD END COVER. Tighten SCREW.
3. Follow the instructions provided with the power feed-in kit being used.

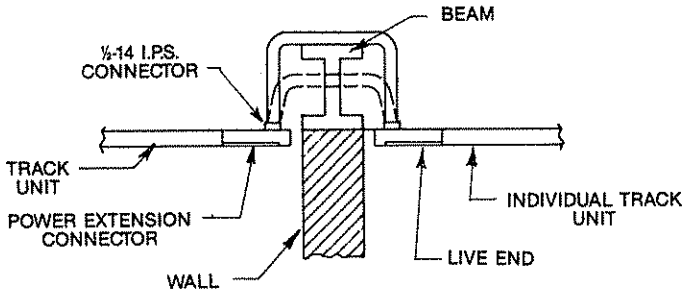
NOTE: Power can be fed into or removed from the POWER EXTENSION CONNECTOR by using a standard 1/2" - 14 I.P.S. ELECTRICAL CONNECTOR (not included). See Track Instruction Sheet IS:6020.



POWER EXTENSION CONNECTOR FOR USE WITH BASIC LYTESPAN® ONLY.

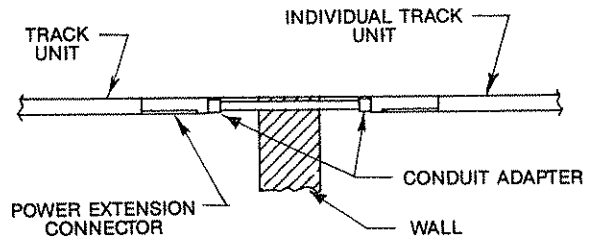
APPLICATION EXAMPLES USING 1/2-14 I.P.S. ELECTRICAL CONNECTOR (BY OTHERS)

OVER BEAM OR THROUGH BEAM

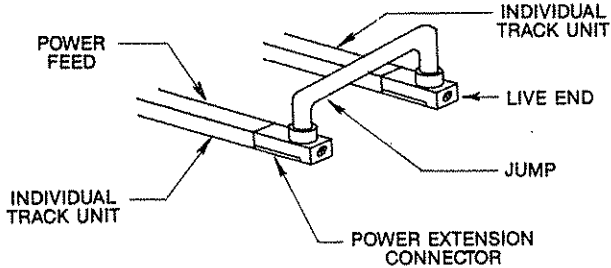


APPLICATION EXAMPLES USING THE CONDUIT ADAPTER (ORDERED SEPARATELY)

THROUGH WALL OR COLUMN



ENERGIZE MULTIPLE TRACK RUNS WITH ONE CIRCUIT



AROUND BEAM OR COLUMN

