

EcoStyle – efficient and affordable

EcoStyle

Retailers are looking for an affordable LED accent-lighting solution with a reasonable payback compared to conventional technologies. Now, thanks to EcoStyle, they need look no further. With a LED light source and dedicated reflector system, EcoStyle delivers powerful, good-quality accent lighting, enabling retailers to display their merchandise in the best possible light. The track-mounted EcoStyle is available in a choice of black or white finish. And the combination of efficient LED technology and an innovative heatsink ensures that this is a reliable, lasting solution.

Benefits

- Short payback compared with CDM luminaires thanks to high level of system efficacy
- High-quality accent lighting thanks to the light signature of the PerfectAccent reflector
- Energy-efficient and low-maintenance thanks to LED technology

Features

- High efficacy
- Philips PerfectAccent quality of light
- CDM retrofit track-mounted luminaire
- Clean, robust design

Application

- Retail stores, especially food and fashion stores

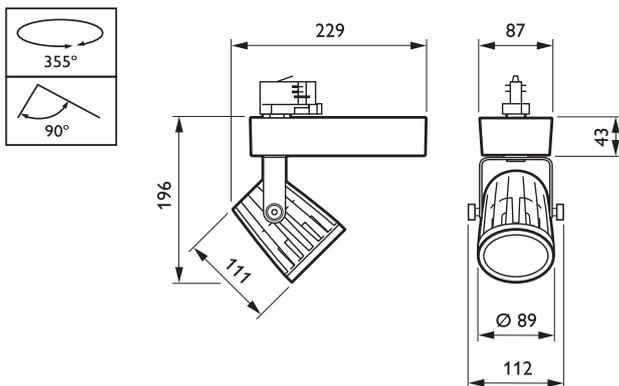


PHILIPS

Specifications

• Type	ST440T	• Median useful life L90B50	25,000 hours
• Light source	Non-replaceable LED module	• Average ambient temperature	+25 °C
• Power	18, 30 and 37 W (for light color 830 and 840, LED17S, LED27S, LED35S)	• Operating temperature range	0 to +35 °C
• Beam angle	MB (20° for LED27S) WB (33° for LED27S)	• Driver	Built-in
• Luminous flux	1700, 2700, 3400 lm (for light color 830) 1800, 2900, 3600 lm (for light color 840)	• Mains voltage	220-240 V / 50-60 Hz
• Correlated Color Temperature	3000 K (Warm white) 4000 K (Neutral white)	• Dimming	DALI dimming on request
• Color Rendering Index	>80	• Material	Driver box: plastic Heatsink: die-cast aluminum Reflector: polycarbonate Optic cover: polymethylmethacrylate (PMMA)
• Standard deviation color matching (SDCM)	3 (with a tolerance of +/- 0,005 on color point measurement)	• Color	White (WH, RAL 9003), black (BK, RAL 9004)
• Median useful life L70B50	70,000 hours	• Connection	3C track adapter
• Median useful life L80B50	50,000 hours	• Installation	On 3-circuit track Through-wiring not possible

Dimensional drawing



ST440T LED17S/830 PSU MB II BK

General information (1/2)

Order code	Product family code	Number of light sources	Lamp family code	Driver included	Optic type	Optical cover/lens type	Dimmable	Protection class IEC	Ingress protection code	Mech. impact protection code	Color
910500456841	ST440T	1	LED17S	true	MB	ACC	No	CLII	IP20	IK02	BK
910500456842	ST440T	1	LED17S	true	MB	ACC	No	CLII	IP20	IK02	BK
910500456843	ST440T	1	LED17S	true	WB	ACC	No	CLII	IP20	IK02	BK
910500456844	ST440T	1	LED17S	true	WB	ACC	No	CLII	IP20	IK02	BK
910500456851	ST440T	1	LED27S	true	MB	ACC	No	CLII	IP20	IK02	BK
910500456852	ST440T	1	LED27S	true	MB	ACC	No	CLII	IP20	IK02	BK
910500456853	ST440T	1	LED27S	true	WB	ACC	No	CLII	IP20	IK02	BK
910500456854	ST440T	1	LED27S	true	WB	ACC	No	CLII	IP20	IK02	BK
910500456861	ST440T	1	LED35S	true	MB	ACC	No	CLII	IP20	IK02	BK
910500456862	ST440T	1	LED35S	true	MB	ACC	No	CLII	IP20	IK02	BK

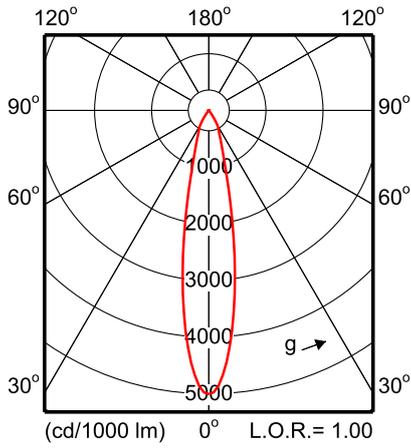
Order code	Product family code	Number of light sources	Lamp family code	Driver included	Optic type	Optical cover/lens type	Dimmable	Protection class IEC	Ingress protection code	Mech. impact protection code	Color
910500456863	ST440T	1	LED35S	true	WB	ACC	No	CLII	IP20	IK02	BK
910500456864	ST440T	1	LED35S	true	WB	ACC	No	CLII	IP20	IK02	BK
910500456845	ST440T	1	LED17S	true	MB	ACC	No	CLII	IP20	IK02	WH
910500456846	ST440T	1	LED17S	true	MB	ACC	No	CLII	IP20	IK02	WH
910500456847	ST440T	1	LED17S	true	WB	ACC	No	CLII	IP20	IK02	WH
910500456848	ST440T	1	LED17S	true	WB	ACC	No	CLII	IP20	IK02	WH
910500456855	ST440T	1	LED27S	true	MB	ACC	No	CLII	IP20	IK02	WH
910500456856	ST440T	1	LED27S	true	MB	ACC	No	CLII	IP20	IK02	WH
910500456857	ST440T	1	LED27S	true	WB	ACC	No	CLII	IP20	IK02	WH
910500456858	ST440T	1	LED27S	true	WB	ACC	No	CLII	IP20	IK02	WH
910500456865	ST440T	1	LED35S	true	MB	ACC	No	CLII	IP20	IK02	WH
910500456866	ST440T	1	LED35S	true	MB	ACC	No	CLII	IP20	IK02	WH
910500456867	ST440T	1	LED35S	true	WB	ACC	No	CLII	IP20	IK02	WH
910500456868	ST440T	1	LED35S	true	WB	ACC	No	CLII	IP20	IK02	WH

General information (2/2)

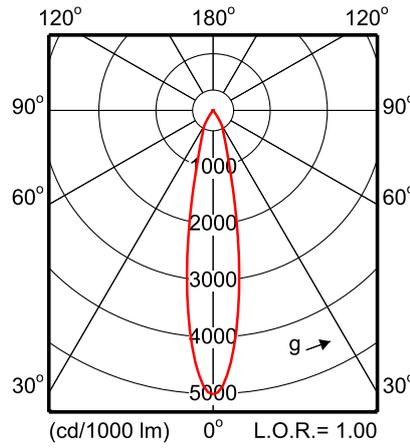
Order code	Product family code	Glow-wire test	CE mark	ENEC mark
910500456841	ST440T	650/5	CE	ENEC
910500456842	ST440T	650/5	CE	ENEC
910500456843	ST440T	650/5	CE	ENEC
910500456844	ST440T	650/5	CE	ENEC
910500456851	ST440T	650/5	CE	ENEC
910500456852	ST440T	650/5	CE	ENEC
910500456853	ST440T	650/5	CE	ENEC
910500456854	ST440T	650/5	CE	ENEC
910500456861	ST440T	650/5	CE	ENEC
910500456862	ST440T	650/5	CE	ENEC
910500456863	ST440T	650/5	CE	ENEC
910500456864	ST440T	650/5	CE	ENEC
910500456845	ST440T	650/5	CE	ENEC

Order code	Product family code	Glow-wire test	CE mark	ENEC mark
910500456846	ST440T	650/5	CE	ENEC
910500456847	ST440T	650/5	CE	ENEC
910500456848	ST440T	650/5	CE	ENEC
910500456855	ST440T	650/5	CE	ENEC
910500456856	ST440T	650/5	CE	ENEC
910500456857	ST440T	650/5	CE	ENEC
910500456858	ST440T	650/5	CE	ENEC
910500456865	ST440T	650/5	CE	ENEC
910500456866	ST440T	650/5	CE	ENEC
910500456867	ST440T	650/5	CE	ENEC
910500456868	ST440T	650/5	CE	ENEC

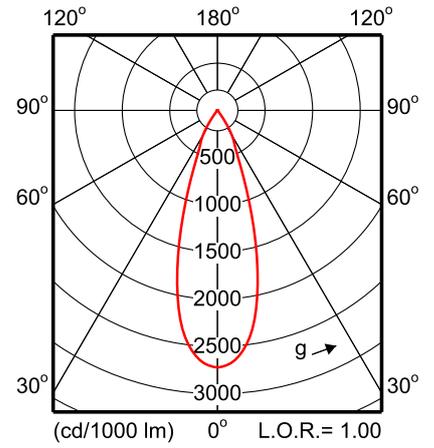
Photometric data



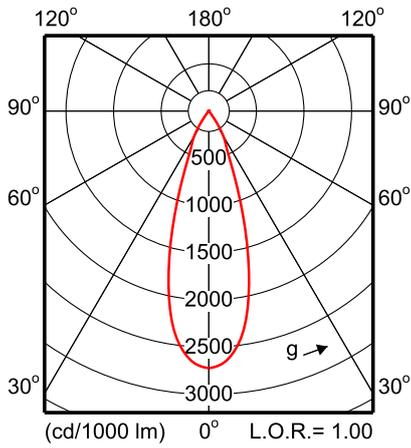
ST440T 1xLED17S/830 MB



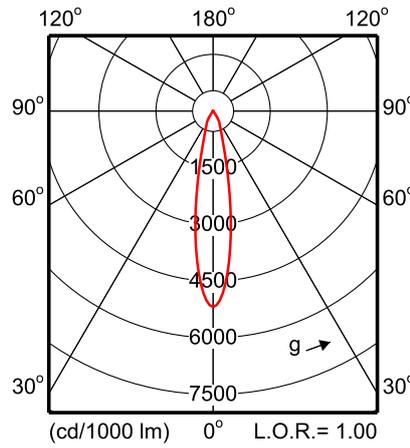
ST440T 1xLED17S/840 MB



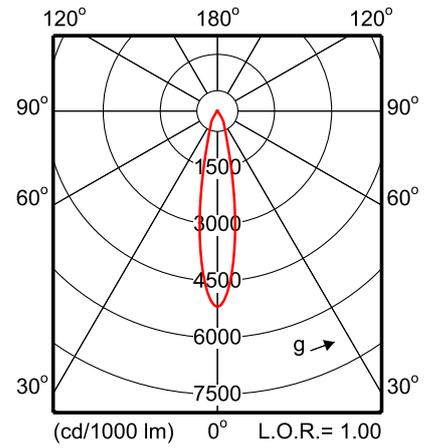
ST440T 1xLED17S/830 WB



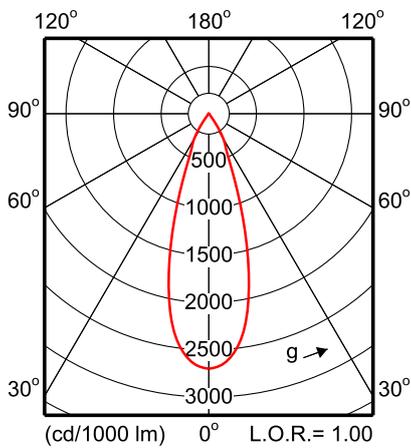
ST440T 1xLED17S/840 WB



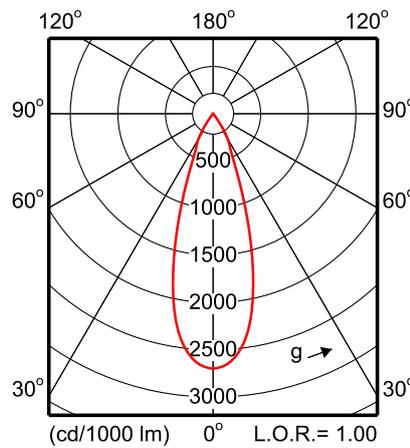
ST440T 1xLED27S/830 MB



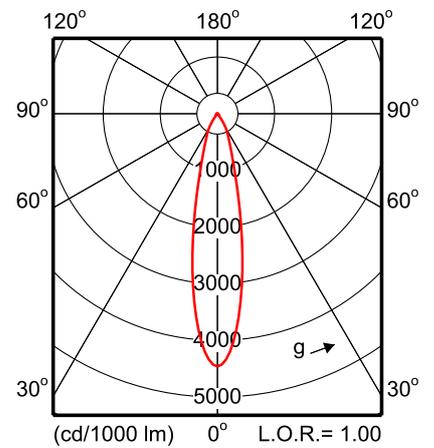
ST440T 1xLED27S/840 MB



ST440T 1xLED27S/830 WB

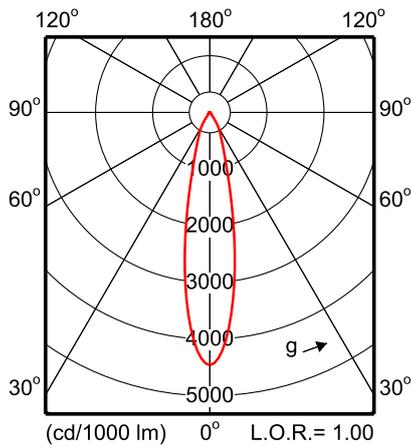


ST440T 1xLED27S/840 WB

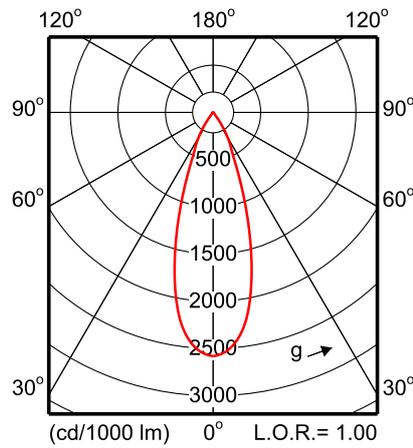


ST440T 1xLED35S/830 MB

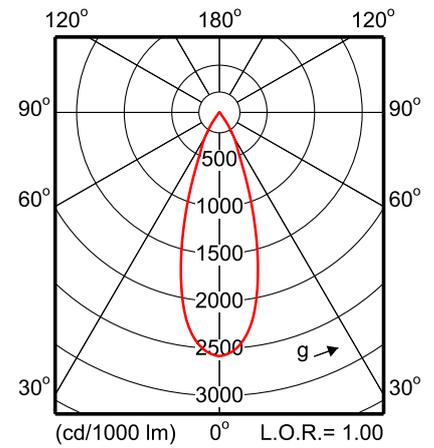
Photometric data



ST440T 1xLED35S/840 MB



ST440T 1xLED35S/830 WB



ST440T 1xLED35S/840 WB

Electrical

Order code	Product family code	Input voltage
910500456841	ST440T	220-240 V
910500456842	ST440T	220-240 V
910500456843	ST440T	220-240 V
910500456844	ST440T	220-240 V
910500456851	ST440T	220-240 V
910500456852	ST440T	220-240 V
910500456853	ST440T	220-240 V
910500456854	ST440T	220-240 V
910500456861	ST440T	220-240 V
910500456862	ST440T	220-240 V
910500456863	ST440T	220-240 V
910500456864	ST440T	220-240 V

Order code	Product family code	Input voltage
910500456845	ST440T	220-240 V
910500456846	ST440T	220-240 V
910500456847	ST440T	220-240 V
910500456848	ST440T	220-240 V
910500456855	ST440T	220-240 V
910500456856	ST440T	220-240 V
910500456857	ST440T	220-240 V
910500456858	ST440T	220-240 V
910500456865	ST440T	220-240 V
910500456866	ST440T	220-240 V
910500456867	ST440T	220-240 V
910500456868	ST440T	220-240 V



© 2015 Koninklijke Philips N.V. (Royal Philips)
All rights reserved.

Specifications are subject to change without notice. Trademarks are the property of Koninklijke Philips N.V. (Royal Philips) or their respective owners.

www.philips.com/lighting

2015, April 17
data subject to change