

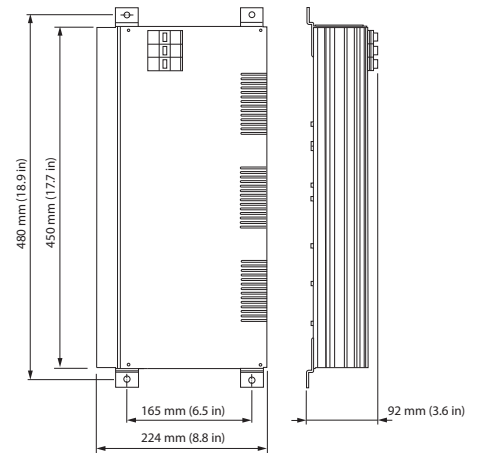


DBC1205 Signal Dimmer Controller

Robust control of switched loads

The Philips Dynalite DBC1205 is designed for use with electronic dimmable fluorescent drivers, either 1-10V or DSI. Twelve heavy duty 5 A relay outputs are supplied to switch fluorescent lighting or other loads in a DyNet energy management system.

- Compatible with a range of loads and devices — Including DSI HF fluorescent drivers, DSI low voltage transformers, 1-10 V high frequency fixtures and switched loads.
- Service override switch — Incorporated as standard, service override switch forces all channels to 100%.
- Inbuilt diagnostic functionality — Features Device Online/Offline status indication.
- Option available — Additional RS-485 DyNet serial port.



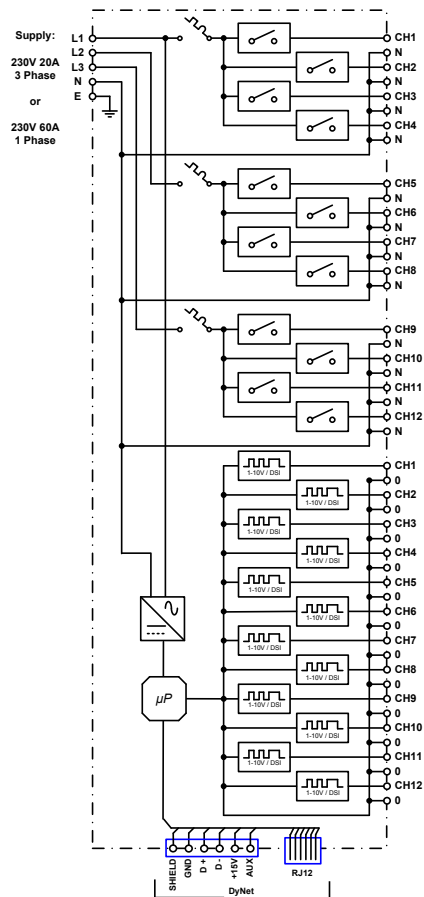
For detailed product information, please refer to the product information pages at www.philips.com/dynalite and follow the links.

Specifications

Due to continuous improvements and innovations, specifications may change without notice.

| Item | Specification | Details | |
|------------|------------------------|---|--|
| Electrical | Input Voltage | 230 VAC ± 14% 50 / 60 Hz 3 Phase Δ @ 20 A per phase or; 230 VAC ± 14% 50 / 60 Hz Single Phase @ 60 A | |
| | DyNet DC Supply | 12 VDC @ 90 mA (supply for approx 4 user interfaces) | |
| | Outputs | 12 x switched outputs @ 5A 12 x HF driver control outputs, selectable to I-10V DC & DSI | |
| | Protection | 3 x 20 A 6 kA single pole thermal magnetic circuit breakers | |
| | Switching Device | Relay 10 A nom. (resistive) | |
| Control | Control Inputs/Outputs | One RS-485 DyNet serial port One programmable dry contact AUX input | |
| | User Controls | Service override switch - all channels to 100% Diagnostic LED | |
| | Preset Scenes | 170 | |
| | Diagnostic Functions | Device online/offline status | |
| Physical | Supply Terminals | L1, L2, L3, N 1 x 10 mm ² maximum conductor size | |
| | Output Terminals | Line, Neutral for each channel 2 x 4 mm ² maximum conductor size Earth Link bar provided V/DSI, +V/DSI for each channel 1 x 2 mm ² maximum conductor size | |
| | Cable Entries | Mains - 1 x 75 mm x 53 mm removable gland plate Data: 1 x 25 mm dia. knockout | |
| | Dimensions (H x W x D) | 450 mm x 224 mm x 92 mm (17.7" x 8.8" x 3.6") | |
| | Packed Weight | 5.2 kg | |
| | Construction | Alloy / Steel wall-mount case with epoxy finish | |
| | Operating Conditions | Temperature: 0 to 50° C ambient Humidity: 0 to 95% non-condensing | |
| | Storage & Transport | Temperature: -25 to 60° C ambient Humidity: 0 to 90% non-condensing | |
| | Certification | Certification | CE, C-Tick |
| | Options & Ordering | Standard Product Extra RS-485 DyNet Port | DBC1205 (Philips 12NC - 913703034009) DBC1205-A (Philips 12NC - 913703034109) |

Electrical Diagram



Philips Dynalite
6 / 691 Gardeners Road
Mascot, NSW 2020
Australia
Tel: +61 2 8338 9899
Email: dynalite.info@philips.com
Web: www.philips.com/dynalite

Specifications subject to change without notice. ©WMGD Pty Ltd Trading as Dynalite. Unit 6, 691 Gardeners Road Mascot 2020 Australia. ABN 33 097 246 921. All rights reserved. Dynalite, DyNet and associated logos are the registered trademarks of WMGD Pty Ltd. Not to be reproduced without permission.